

FLOW CENTERS: SMART PUMP MULTIZONE

For the applications that require a little more than it's Multizone cousin can provide, the all New Smart Pump Multizone utilizes the latest in Variable Speed Technology. Designed for the high end residential or commercial applications, the Smart Pump Multizone can be used with single phase power to keep things simple. With no added controls to complicate your system the Smart Pump Multizone is very user friendly and is easily adjustable and customized for your source side geothermal systems.

- **EFFICIENT OPERATION**

When compared to multiple smaller pumps typically used for each heat pump zone you will notice the efficiency on smaller motors is in the range of 25-30% to yield a very inefficient operation. The Smart Pump Multizone utilizes efficient motor technology with its one single motor offering 60-80% efficient operation. In fact less horse power will be used with a single pump/motor combination verses several small circulators for your multizone heat pump system.

- **INSTALLATION SIMPLICITY**

With only one pump and motor to install, contractor installation time is reduced. All the work consists of setting the GT® canister, mounting the pump to the provided flange, mount the motor to the pump, mount the variable speed drive unit on the adjacent wall and the electrical power. Its that simple your system will be ready to run.

- **COMPETITIVE INSTALLED COSTS**

When you look at the cost of purchasing and installing several pumps switching to the Smart Pump Multizone will save more than just energy.

- **MAINTENANCE SIMPLICITY**

The Smart Pump Multizone utilizes one of the industries most popular in-line circulators. This bullet proof pump is very reliable however in the event of a pump failure, parts and qualified technicians are readily available.



*TWO-WAY CONTROL VALVES WILL NEED TO BE INSTALLED ON EACH HEAT PUMP CIRCUIT FOR PROPER VARIABLE SPEED PUMP OPERATION.

SMART PUMP FEATURES

Sealable Lid – Provides for a closed sealed system while allowing for ease of access to sample fluid and measure flow rate.

Inlet Connection – Stainless Steel MPT connection provided as standard, with various transitions available upon request. Size based on canister size (see chart).

Check Valve – A check valve is provided before the pump assuring proper flow and reliable pump operation.

Canister – Provides a standing column of water on the suction side of the pump to insure a flooded volute and reliable pump operation. Size required is based on max load design flow rate (see chart).

Optional Isolation Valve – An isolation valve is available on the pump discharge for ease of maintenance(not shown).

Variable Speed Pump Control – The Smart Pump Drive is robust and designed to operate in some of the harshest conditions.

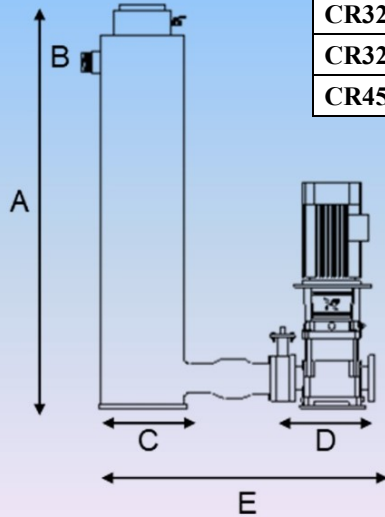
Insulation – 3/8" Armaflex insulation factory installed to prevent condensation.



FLOW CENTERS: SMART PUMP MULTIZONE

Smart Pump Flow Selection (Single Pump)

Smart Pump Model#	B & D Part#	Tank Size	Volume (gal)	Motor Size	Normal GPM Flow	Normal Head Pressure
CR10-2	SPFC-B122-2-230-1	B	17.5	2HP	40-62	30-50
CR32-1-1	SPFC-C13T-3-230-1	C	20.8	3HP	60-120	40-60
CR32-1	SPFC-C13S-5-230-1	C	20.8	5HP	65-130	50-70
CR45-1-1	SPFC-D14T-5-230-1	D	29.5	5HP	130-180	50-70

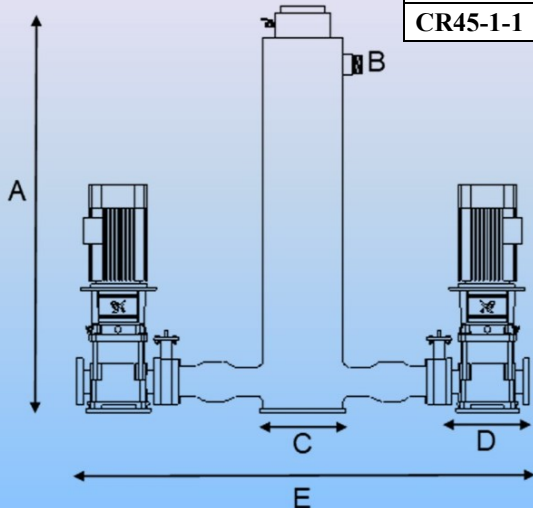


Smart Pump Flow Dimensions (Single Pump)

Pump End	A	B	C	D	E
CR10-2	62"	2" MPT	10"	11 1/2"	38"
CR32-1-1	69"	3" MPT	12"	12 1/2"	39"
CR32-1	69"	3" MPT	12"	12 1/2"	39"
CR45-1-1	69"	4" MPT	14"	13"	41"

Smart Pump Flow Selection (Redundant Pump)

Smart Pump Model#	B & D Part#	Tank Size	Volume (gal)	Motor Size	Normal GPM Flow	Normal Head Pressure
CR10-2	SPFC-C222-2-230-2	C	17.5	2HP	40-62	30-50
CR32-1-1	SPFC-D23T-3-230-2	D	20.8	3HP	60-120	40-60
CR32-1	SPFC-D23T-5-230-2	D	20.8	5HP	65-130	50-70
CR45-1-1	SPFC-D24T-5-230-2	D	29.5	5HP	130-180	50-70



Smart Pump Flow Dimensions (Redundant Pump)

Pump End	A	B	C	D	E
CR10-2	62"	2" MPT	10"	11 1/2"	66"
CR32-1-1	69"	3" MPT	12"	12 1/2"	69"
CR32-1	69"	3" MPT	12"	12 1/2"	69"
CR45-1-1	69"	4" MPT	14"	13"	69"

Call For Your Custom Quote Today



ALL THE "PUMP" YOU NEED AND MORE

15

1-866-646-6724
712-652-3424
www.bdmfginc.com