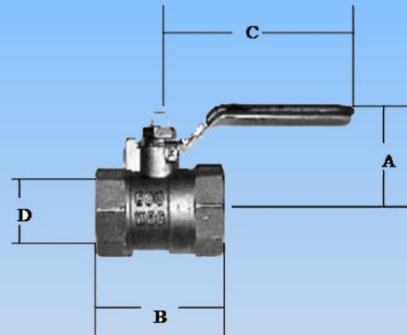


## ACCESSORIES: FULL PORT BRASS BALL VALVES



DIMENSIONS IN INCHES

Size	Part Number	A	B	C	D (Bore)	Weight
3/4" FPT BRASS BALL VALVE (Full Port)	BV004	2.06	2.39	3.74	.79	.64lbs
1" FPT BRASS BALL VALVE (Full Port)	BV007	2.31	2.87	4.53	.98	1.07lbs
1 1/4" FPT BRASS BALL VALVE (Full Port)	BV010	3.00	3.41	5.51	1.26	1.61lbs
1 1/2" FPT BRASS BALL VALVE (Full Port)	BV013	3.15	3.74	5.51	1.57	2.25lbs
2" FPT BRASS BALL VALVE (Full Port)	BV016	3.54	4.25	5.91	1.97	3.12lbs

PRESSURE RATING  
1/2"-2" 600 W.O.G.

Body Material: 1/2" thru 1 1/4" = Forged Brass/  
1 1/2" thru 4" = Cast brass

Handle Material: Steel

Ball Material: Machined Brass w/ Electroplated Chrome

Stem Material: Blow-out proof, machined brass w/ Dual O-ring Seals

Seal Material: Teflon (PTFE)

Pipe Threads: National Pipe Thread Standard

Suitable Medium: Water, Oil, Gas

Steam Rating: 125 PSIG Saturated Steam

Valve Sizes and Dimensions (approx) in.  
Call for availability of other sizes.



ALL THE "PUMP" YOU NEED AND MORE

1-866-646-6724

712-652-3424

[www.bdmfginc.com](http://www.bdmfginc.com)