

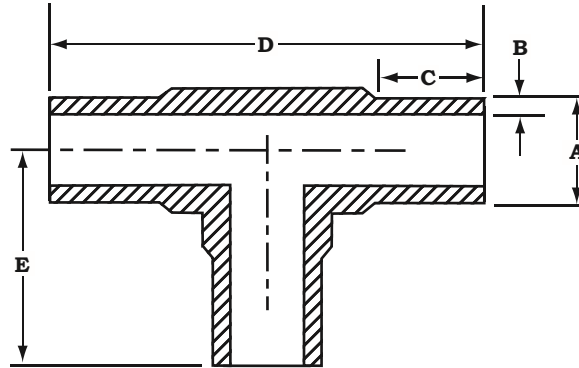
BUTT FUSION FITTINGS



FOR REFERENCE ONLY

Swan Plastics, LLC Phone: (405) 275-4826
 6500 North Kickapoo Fax: (405) 275-3626
 Shawnee, OK 74804, USA

BUTT TEE (IPS)



NOMINAL SIZE	DIMENSION A	DIMENSION B	DIMENSION C	DIMENSION D	DIMENSION E
3/4" IPS	1.050 ±.008	.095 +.019	2.14	6.38	3.19
1" IPS	1.315 ±.010	.119 +.024	2.18	6.62	3.31
1 1/4" IPS	1.660 ±.010	.151 +.030	2.15	6.97	3.48
1 1/2" IPS	1.900 ±.010	.173 +.035	2.37	7.84	3.92
2" IPS	2.375 ±.010	.216 +.043	2.45	8.93	4.46