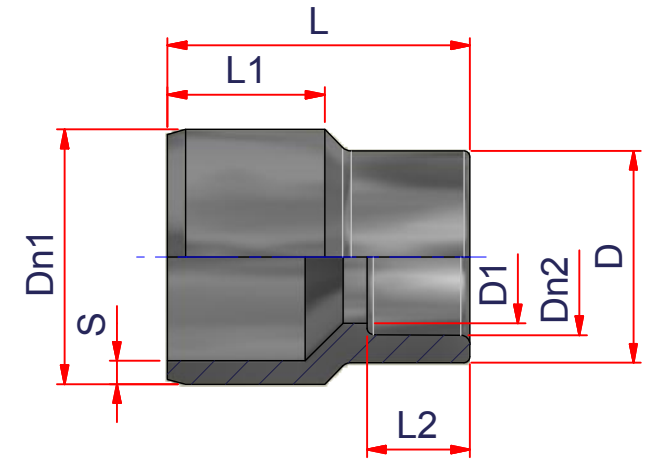


**TYPE A**



**TYPE B**

CODE	Dn1	S	L1	Dn2	L2	D1	L	D
12EIRS114034 (B)	1 1/4	0.15	1.02	3/4	0.67	0.87	1.97	1.38
12EIRS11401 (A)	1 1/4	0.15	1.02	1	0.79	1.10	1.97	1.78
12EIRS112034 (B)	1 1/2	0.19	1.10	3/4	0.67	0.91	2.05	1.34
12EIRS11201 (B)	1 1/2	0.19	1.10	1	0.79	1.22	2.05	1.73
12EIRS112114 (A)	1 1/2	0.19	1.10	1 1/4	0.91	1.50	2.13	2.13
12EIRS02034 (B)	2	0.24	1.26	3/4	0.67	0.91	2.32	1.34
12EIRS0201 (B)	2	0.24	1.26	1	0.79	1.22	2.32	1.73
12EIRS02114 (B)	2	0.24	1.26	1 1/4	0.91	1.50	2.32	2.13
12EIRS02112 (A)	2	0.22	1.26	1 1/2	0.98	1.69	2.36	2.48



**TYPE A**

**TYPE B**



ITEM: **EIRS**

DESC: SOCKET FUSION REDUCING - PE4710  
230PSI



DRAWING No:  
**EL10029**

SHEET OF REV.  
**1 1 0**

www.nupigeco.com - info@nupigeco.com

All dimensions have to be considered in inches with 5% tolerance if not otherwise mentioned