

CODE	Dn	Thread	L Thread	L	L1	D	D1	CH	LCH
12EIRFFS034034 (A)	3/4	3/4" NPT	0.53	2.28	0.67	1.65	0.73	1.18	0.43
12EIRFFS01034 (B)	1	3/4" NPT	0.53	2.36	0.79	1.77	0.73	1.18	0.43
12EIRFFS0101 (A)	1	1" NPT	0.66	2.56	0.79	2.13	0.95	1.50	0.43
12EIRFFS114034 (B)	1 1/4	3/4" NPT	0.53	2.48	0.91	2.17	0.73	1.18	0.43



ITEM: **EIRFFS**

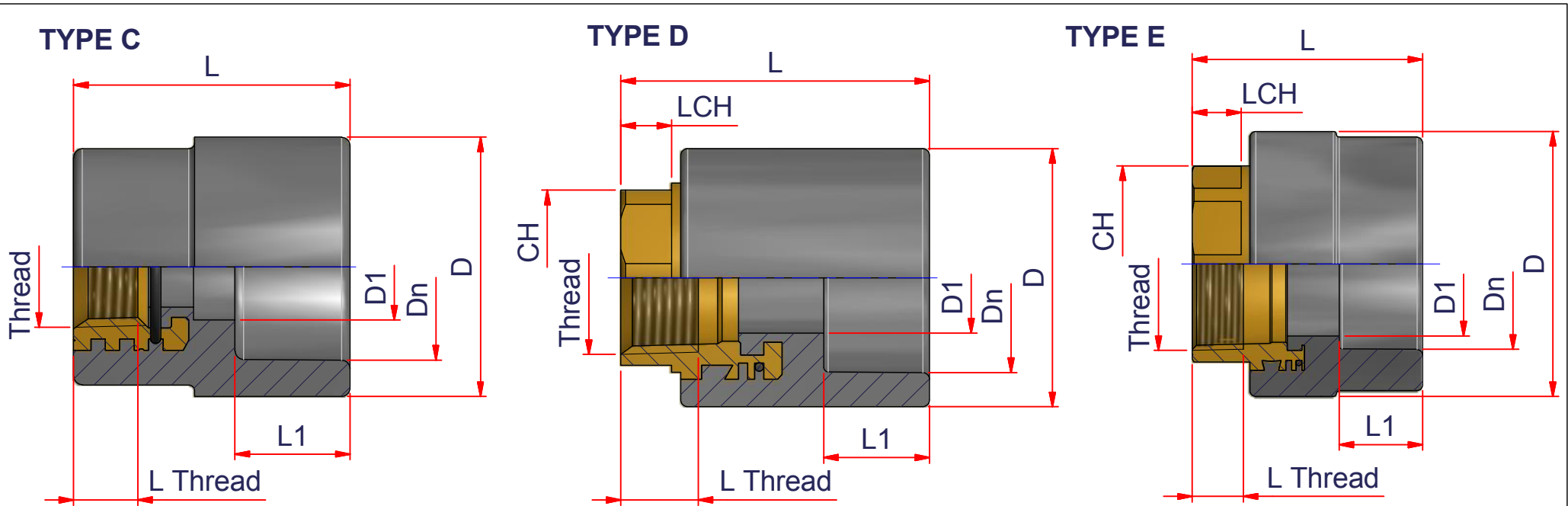
DESC: FEMALE SOCKET FUSION TO BRASS NPT
PE4710 230PSI



DRAWING No:
EL10024
SHEET OF 1 2 REV. -1

www.nupigeco.com - info@nupigeco.com

All dimensions have to be considered in inches with 5% tolerance if not otherwise mentioned



CODE	Dn	Thread	L Thread	L	L1	D	D1	CH	LCH
12EIRFFS01012 (C)	1	1/2" NPT	0.51	1.89	0.79	1.77	0.73	-	-
12EIRFFS11401 (D)	1 1/4	1" NPT	0.66	2.64	0.91	2.21	0.95	1.50	0.43
12EIRFFS114114 (E)	1 1/4	1 1/4" NPT	0.68	2.71	0.86	2.56	1.30	1.81	0.47
12EIRFFS112112 (E)	1 1/2	1 1/2" NPT	0.68	2.79	0.98	2.95	1.55	2.16	0.47
12EIRFFS02112 (E)	2	1 1/2" NPT	0.68	2.95	1.14	3.46	1.55	2.16	0.47
12EIRFFS0202 (E)	2	2" NPT	0.70	3.15	1.14	3.62	1.97	2.56	0.67
12EIRFFS0303 (E)	3	3" NPT	-	-	-	-	-	-	-
12EIRFFS0404 (E)	4	4" NPT	-	-	-	-	-	-	-



ITEM: **EIRFFS**

DESC: FEMALE SOCKET FUSION TO BRASS
NPT
PE4710 230PSI



DRAWING No:
EL10024
SHEET OF 2 2 REV. -1

www.nupigeco.com - info@nupigeco.com

All dimensions have to be considered in inches with 5% tolerance if not otherwise mentioned