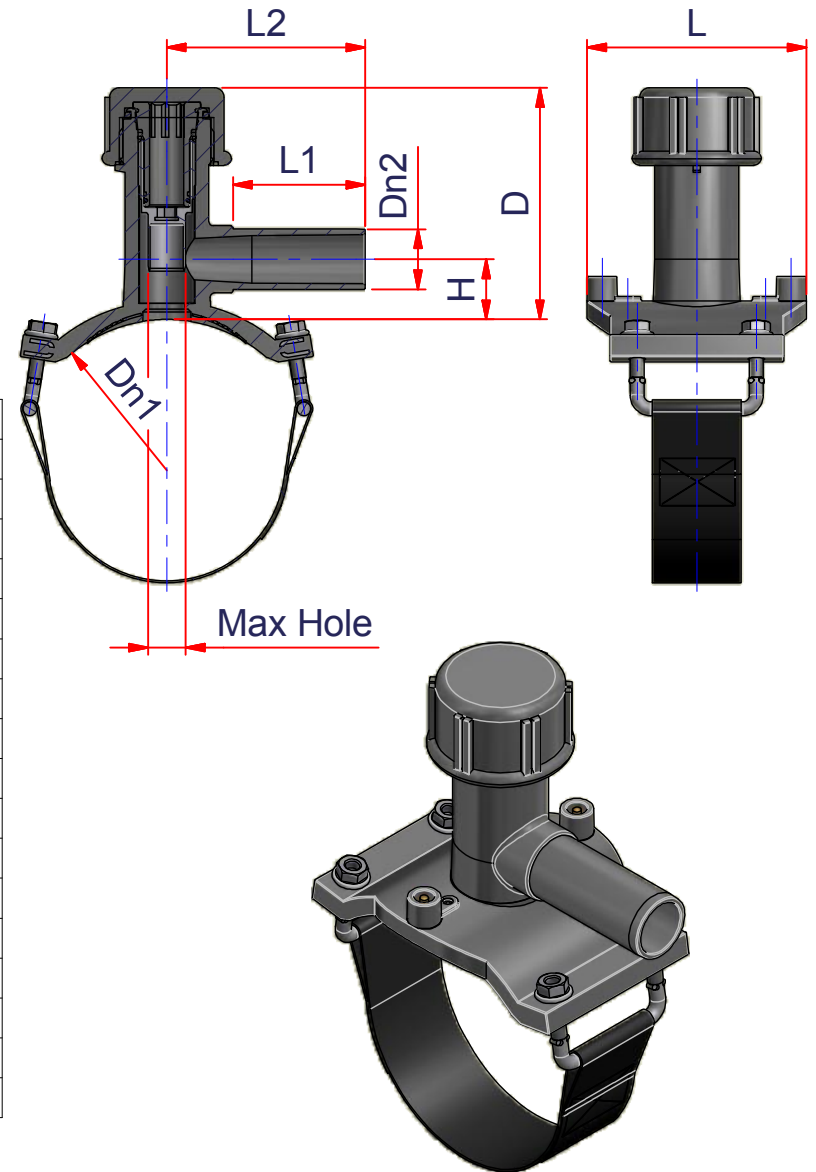


CODE	Dn1	Dn2	H	L1	L2	L	D	Max Hole
12EIPRES0812C	8	1/2" CTS	1.48	2.68	4.13	4.56	6.18	0.94
12EIPRES1012C	10	1/2" CTS	1.48	2.68	4.13	4.56	6.18	0.94
12EIPRES1212C	12	1/2" CTS	1.48	2.68	4.13	4.56	6.18	0.94
12EIPRES1212	12	1/2" IPS	1.48	2.68	4.13	4.56	6.18	0.94
12EIPRES0834	8	3/4" IPS	1.48	2.68	4.13	4.56	6.18	0.94
12EIPRES1034	10	3/4" IPS	1.48	2.68	4.13	4.56	6.18	0.94
12EIPRES1234	12	3/4" IPS	1.48	2.68	4.13	4.56	6.18	0.94
12EIPRES0801C	8	1" CTS	1.48	2.68	4.13	4.56	6.18	0.94
12EIPRES1001C	10	1" CTS	1.48	2.68	4.13	4.56	6.18	0.94
12EIPRES1201C	12	1" CTS	1.48	2.68	4.13	4.56	6.18	0.94
12EIPRES0801	8	1" IPS	1.48	2.68	4.13	4.56	6.18	0.94
12EIPRES1001	10	1" IPS	1.48	2.68	4.13	4.56	6.18	0.94
12EIPRES1201	12	1" IPS	1.48	2.68	4.13	4.56	6.18	0.94



**EloFIT**  
nupigeco

www.nupigeco.com - info@nupigeco.com

ITEM: **EIPRES**

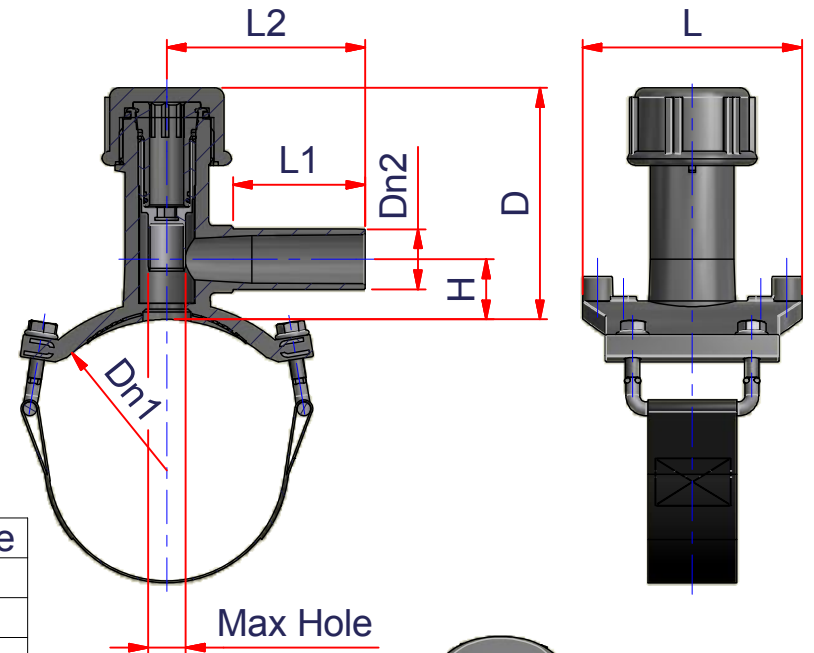
C:\Vault\_Temp\Disegni\Corinna\Tabelle\Elofit\POLLICI\USA\Eipres\EL10020.dwg

DESC: TAPPING TEE WITH BELT  
PE4710 230PSI

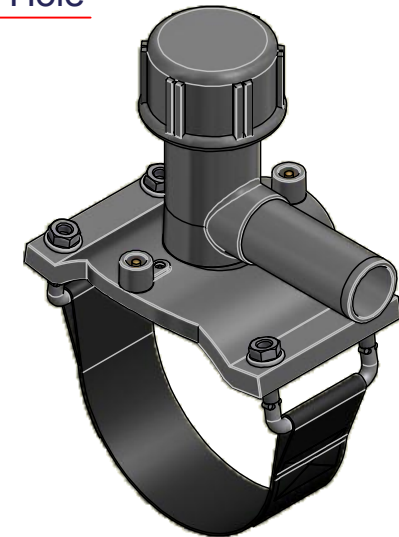
All dimensions have to be considered in inches with 5% tolerance if not otherwise mentioned

DRAWING No: EL10020

SHEET OF	REV.
1 2	-1



CODE	Dn1	Dn2	H	L1	L2	L	D	Max Hole
12EIPRES03114	3	1 1/4 IPS	1.18	2.75	4.13	4.56	4.88	0.67
12EIPRES04114	4	1 1/4 IPS	1.18	2.75	4.13	4.56	4.88	0.67
12EIPRES06114	6	1 1/4 IPS	1.18	2.75	4.13	4.56	4.88	0.67
12EIPRES08114	8	1 1/4 IPS	1.48	2.68	4.13	4.56	6.18	0.94
12EIPRES10114	10	1 1/4 IPS	1.48	2.68	4.13	4.56	6.18	0.94
12EIPRES12114	12	1 1/4" IPS	1.48	2.68	4.13	4.56	6.18	0.94
12EIPRES0302	3	2" IPS	1.81	3.54	5.35	4.56	8.13	1.53
12EIPRES0402	4	2" IPS	1.81	3.54	5.35	4.56	8.13	1.53
12EIPRES0602	6	2" IPS	1.81	3.54	5.35	4.56	8.13	1.53
12EIPRES0802	8	2" IPS	1.81	3.54	5.35	4.56	8.13	1.53
12EIPRES1002	10	2" IPS	1.81	3.54	5.35	4.56	8.13	1.53
12EIPRES1202	12	2" IPS	1.81	3.54	5.35	4.56	8.13	1.53



ITEM: **EIPRES**

DESC: TAPPING TEE WITH BELT  
PE4710 230PSI

C:\Vault\_Temp\Disegni\Corinna\Tabelle\Elofit\POLLICI  
USA\Eipres\EL10020.dwg



DRAWING No:	
EL10020	
SHEET OF	REV.
2 2	-1

www.nupigeco.com - info@nupigeco.com

All dimensions have to be considered in inches with 5% tolerance if not otherwise mentioned