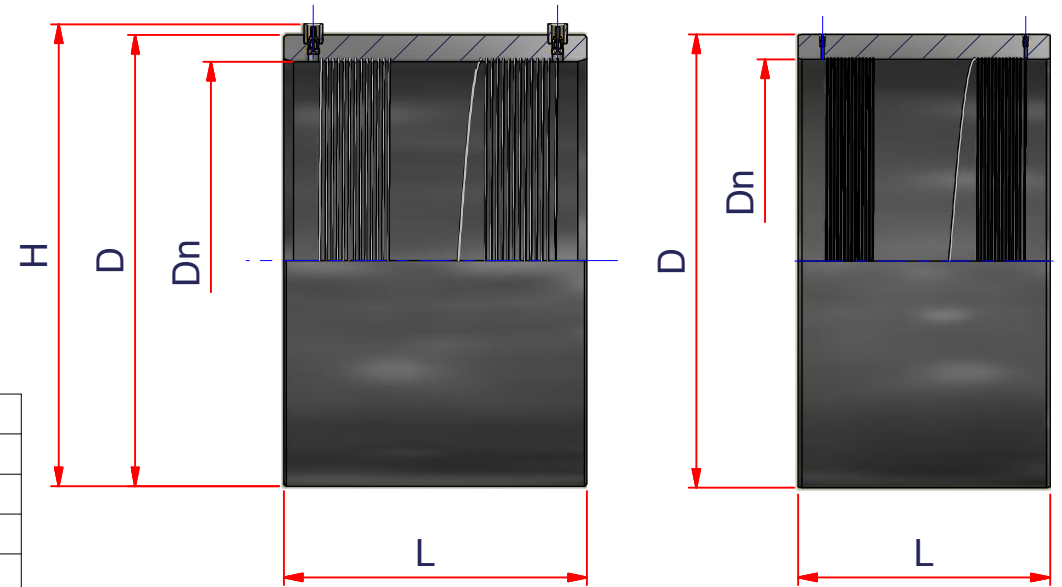


| CODE | Dn (IPS) | D | H | L |
|----------|----------|-------|-------|-------|
| 12DIME08 | 8 | 9.84 | 10.36 | 7.08 |
| 12DIME10 | 10 | 12.40 | 12.79 | 8.66 |
| 12DIME12 | 12 | 15.75 | 15.75 | 8,66 |
| 12DIME14 | 14 | 15,74 | 15.94 | 10.23 |
| 12DIME16 | 16 | 17.72 | 17.91 | 11.42 |
| 12DIME18 | 18 | 19.69 | 19.88 | 13.39 |
| 12DIME20 | 20 | 22.05 | - | 14.17 |
| 12DIME22 | 22 | 24.80 | - | 15.75 |
| 12DIME24 | 24 | 27.95 | - | 17.32 |
| 12DIME28 | 28 | 31.50 | - | 18.90 |
| 12DIME32 | 32 | 35.43 | - | 19.68 |
| 12DIME36 | 36 | 39.37 | - | 19.68 |



D2513
F1055
AWWA C906



ITEM: **DIME**

DESC: ELECTROFUSION COUPLER
PE4710 160PSI



DRAWING No:
EL10003

SHEET OF REV.
1 1 -1

www.nupigeco.com - info@nupigeco.com

All dimensions have to be considered in inches with 5% tolerance if not otherwise mentioned