



SUBMITTAL DATA SHEET	
EL_IN_00068.docx	Rev. -1
Sheet 1 of 3	

ELOFIT BUTT FUSION FITTINGS LONG SPIGOT REDUCER

ITEM: 12EIR_
SIZE RANGE: 1 ¼" IPS x 1" IPS ÷ 24" IPS x 22" IPS
SDR: 11
FUSION RANGE: for Butt fusion – SDR11
for Electrofusion – SDR11 and up
MATERIAL: PE4710 / PE100
COLOR: Black



INSTALLATION INSTRUCTIONS:

Butt fusion - Butt fitting in accordance with ASTM F2620, PPI TR-33 and NUPI Elofit Installation Manual
Electrofusion - Electrofusion in accordance with ASTM F1290 and NUPI Elofit Installation Manual

LISTINGS: ANSI/NSF 61
STANDARDS: ASTM D2513, ASTM F1055, ASTM D3350, AWWA C901, AWWA C906, FM 1613

MAXIMUM OPERATING PRESSURE:

PRESSURE RATING (psi) at 73°F					
SDR	Nominal	Water (0.63 DSF)	Water (0.5 DSF)	Gas (0.32 DSF)	Gas (0.4 DSF)
11	230	200	160	100	125

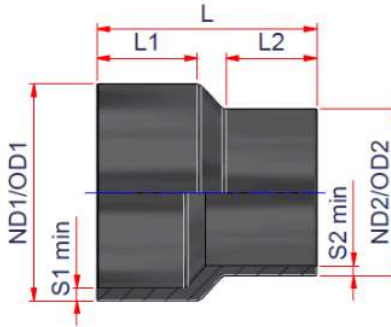
PRODUCT INFORMATION AND APPLICATION USE:

The Elofit Butt Fusion fittings are designed to be joined by butt fusion and electro fusion in accordance with the applicable standards and installation instructions. The dimensions and performance of the fittings comply with the requirements of ASTM D2513, ASTM D3261, AWWA C901/C906. The fittings are designed with a sufficient thickness and length of the melting zone to meet the pressure rating of the corresponding pipe SDR. Fittings are either injection molded, or fabricated from pipe and are black in color. HDPE material is listed PPI TR-4. Intended use is for: natural gas, water, sewerage, geothermal, industrial applications (ref. PPI TR-19). The hygienic properties for drinking water systems comply with NSF 61 requirements.



EIOFIT

SUBMITTAL DATA SHEET	
EL_IN_00068.docx	Rev. -1
Sheet 2 of 3	



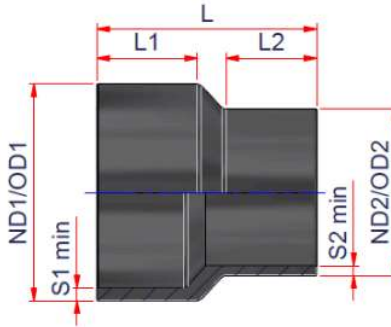
CODE	Weight lbs/pc	Volume ft ³ /pc	ND1	OD1	S1	ND2	OD2	S2	L1	L2	L	FM APPROVED
12EIR11401	-	0.0054	1 1/4" IPS	1.66	0.151	1" IPS	1.315	0.12	2.17	1.8	4.29	
12EIR112114	0.183	0.009	1 1/2" IPS	1.9	0.173	1 1/4" IPS	1.66	0.151	2.36	2.17	4.92	
12EIRO2112	0.293	0.0149	2" IPS	2.375	0.216	1 1/2" IPS	1.9	0.173	2.76	2.36	5.71	
12EIRO302	0.552	0.0292	3" IPS	3.5	0.318	2" IPS	2.375	0.216	2.83	2.6	6.06	
12EIRO402	1.143	0.0922	4" IPS	4.5	0.409	2" IPS	2.375	0.216	4.21	2.77	7.87	200 PSI
12EIRO403	1.283	0.0929	4" IPS	4.5	0.409	3" IPS	3.5	0.318	4.25	3.05	7.93	200 PSI
12EIRO603	3.19	0.1083	6" IPS	6.625	0.603	3" IPS	3.5	0.318	4.02	2.83	8.07	200 PSI
12EIRO604	2.954	0.146	6" IPS	6.625	0.603	4" IPS	4.5	0.409	4	3.53	8.46	200 PSI
12EIRO804	5.948	0.248	8" IPS	8.625	0.785	4" IPS	4.5	0.409	5.43	3.5	11.04	200 PSI
12EIRO806	6.903	0.3776	8" IPS	8.625	0.785	6" IPS	6.625	0.603	5.98	4.45	11.42	200 PSI
12EIR1006	9.753	0.5016	10" IPS	10.75	0.977	6" IPS	6.625	0.603	5.52	4.69	12.17	200 PSI
12EIR1008	11.66	0.6444	10" IPS	10.75	0.977	8" IPS	8.625	0.785	5.98	4.5	12.01	200 PSI
12EIR1206	15.147	0.6658	12" IPS	12.75	1.159	6" IPS	6.625	0.603	6.52	4.72	13.62	200 PSI
12EIR1208	15.88	0.8566	12" IPS	12.75	1.159	8" IPS	8.625	0.785	6.52	5.51	13.46	200 PSI
12EIR1210	18.691	1.0676	12" IPS	12.75	1.159	10" IPS	10.75	0.977	6.52	5.98	13.46	200 PSI
12EIR1410	21.529	1.2516	14" IPS	14	1.273	10" IPS	10.75	0.977	6.5	5.98	14.37	200 PSI

follow ...



ELOFIT

SUBMITTAL DATA SHEET	
EL_IN_00068.docx	Rev. -1
Sheet 3 of 3	



CODE	Weight lbs/pc	Volume ft ³ /pc	ND1	OD1	S1	ND2	OD2	S2	L1	L2	L	FM APPROVED
12EIR1610	-	2.2163	16" IPS	16	1.455	10" IPS	10.75	0.977	7.16	5.98	14.96	
12EIR1612	29.04	2.2163	16" IPS	16	1.455	12" IPS	12.75	1.159	7.16	7.17	14.96	170 PSI
12EIR1614	30.644	2.1585	16" IPS	16	1.455	14" IPS	14	1.273	7.16	6.5	14.57	170 PSI
12EIR1810	-	3.0263	18" IPS	18	1.636	10" IPS	10.75	0.977	7.68	5.98	16.14	
12EIR1812	39.025	3.0263	18" IPS	18	1.636	12" IPS	12.75	1.159	7.68	6.5	16.14	
12EIR1814	-	2.9531	18" IPS	18	1.636	14" IPS	14	1.273	7.68	6.5	15.75	
12EIR1816	42.277	2.9531	18" IPS	18	1.636	16" IPS	16	1.455	7.68	7.16	15.75	170 PSI
12EIR2010	-	4.0556	20" IPS	20	1.818	10" IPS	10.75	0.977	8.66	5.98	17.52	
12EIR2012	-	4.0556	20" IPS	20	1.818	12" IPS	12.75	1.159	8.66	6.52	17.52	
12EIR2014	-	4.0556	20" IPS	20	1.818	14" IPS	14	1.273	8.66	6.5	17.52	
12EIR2016	-	4.0556	20" IPS	20	1.818	16" IPS	16	1.455	8.66	7.17	17.52	170 PSI
12EIR2018	57.792	4.0093	20" IPS	20	1.818	18" IPS	18	1.636	8.66	7.68	17.32	170 PSI
12EIR2218	-	5.2938	22" IPS	22	2	18" IPS	18	1.636	9.06	7.68	18.9	170 PSI
12EIR2220	76.67	5.2938	22" IPS	22	2	20" IPS	20	1.818	9.05	8.66	18.9	170 PSI
12EIR2410	-	6.5633	24" IPS	24	2.182	10" IPS	10.75	0.977	9.45	5.98	19.69	
12EIR2412	-	6.5633	24" IPS	24	2.182	12" IPS	12.75	1.159	9.45	6.52	19.69	
12EIR2414	-	6.5633	24" IPS	24	2.182	14" IPS	14	1.273	9.45	6.5	19.69	
12EIR2416	-	6.5633	24" IPS	24	2.182	16" IPS	16	1.455	9.45	7.17	19.69	
12EIR2418	-	6.5633	24" IPS	24	2.182	18" IPS	18	1.636	9.45	7.68	19.69	
12EIR2420	-	6.5633	24" IPS	24	2.182	20" IPS	20	1.818	9.45	8.86	19.69	
12EIR2422	96.672	6.6267	24" IPS	24	2.182	22" IPS	22	2	9.45	9.05	19.88	

MANUFACTURER'S WARRANTY:

Thirty (30) Years from the date of sale upon successful completion of pressure test of the piping system (refer to published warranty for complete details).

NOTE:

- * More information can be found on ELOFIT TECHNICAL CATALOGUE
- ** Technical Data may undergo dimensional changes, check revision at the top