

CODE	Weight lbs/pc	Volume ft <sup>3</sup> /pc	ND1	OD1	S1	ND2	OD2	S2	L1	L2	L
12EIR11401	0.087	0.0068	1 1/4" IPS	1.66	0.151	1" IPS	1.315	0.12	2.17	1.8	4.29
12EIR112114	0.183	0.0103	1 1/2" IPS	1.9	0.173	1 1/4" IPS	1.66	0.151	2.36	2.17	4.92
12EIR02112	0.293	0.0186	2" IPS	2.375	0.216	1 1/2" IPS	1.9	0.173	2.76	2.36	5.71
12EIR0302	0.534	0.0422	3" IPS	3.5	0.318	2" IPS	2.375	0.216	2.74	2.58	5.95
12EIR0402	1.143	0.0922	4" IPS	4.5	0.409	2" IPS	2.375	0.216	4.21	2.77	7.87
12EIR0403	1.283	0.0929	4" IPS	4.5	0.409	3" IPS	3.5	0.318	4.25	3.05	7.93
12EIR0603	3.19	0.205	6" IPS	6.625	0.603	3" IPS	3.5	0.318	4.02	2.83	8.07
12EIR0604	2.954	0.2149	6" IPS	6.625	0.603	4" IPS	4.5	0.409	4	3.53	8.46
12EIR0804	5.948	0.4753	8" IPS	8.625	0.785	4" IPS	4.5	0.409	5.43	3.5	11.04
12EIR0806	6.903	0.4916	8" IPS	8.625	0.785	6" IPS	6.625	0.603	5.98	4.45	11.42
12EIR1004	8.489	0.737	10" IPS	10.75	0.977	4" IPS	4.5	0.409	5.49	3.5	11.02
12EIR1006	9.753	0.8139	10" IPS	10.75	0.977	6" IPS	6.625	0.603	5.52	4.69	12.17
12EIR1008	11.66	0.8032	10" IPS	10.75	0.977	8" IPS	8.625	0.785	5.98	4.5	12.01
12EIR1206	14.61	1.2521	12" IPS	12.75	1.159	6" IPS	6.625	0.603	6.52	4.70	13.31
12EIR1208	15.772	1.27	12" IPS	12.75	1.159	8" IPS	8.625	0.785	6.50	5.43	13.5
12EIR1210	17.919	1.2851	12" IPS	12.75	1.159	10" IPS	10.75	0.977	6.56	5.96	13.66
12EIR1410	21.529	1.6299	14" IPS	14	1.273	10" IPS	10.75	0.977	6.5	5.98	14.37
12EIR1412	23.08	1.5857	14" IPS	14	1.273	12" IPS	12.75	1.159	6.5	6.5	13.98



**EIOFIT**

ITEM:

EIR

DESC: LONG SPIGOT REDUCER PE4710 SDR11

C:\Vault\_Temp\Disegni\Schede Tecniche\00\_inches\Eiofit\Butt Fusion Fittings\EL10191.dwg

All dimensions have to be considered in inches with 5% tolerance if not otherwise mentioned excluding values as per standard ASTM D2513/D3261 and/or AWWA C901/C906



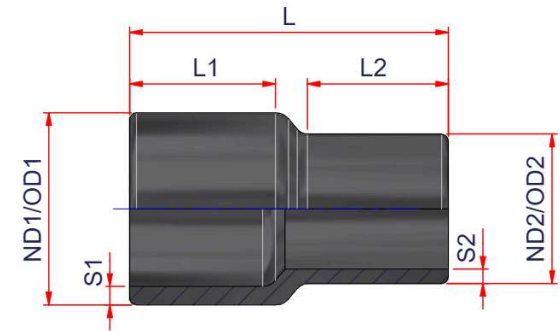
DRAWING No:

EL10191

SHEET OF REV.

1 2 -14

www.nupiamericas.com - info@nupiamericas.com



CODE	Weight lbs/pc	Volume ft <sup>3</sup> /pc	ND1	OD1	S1	ND2	OD2	S2	L1	L2	L
12EIR1610	27,846	2.2163	16" IPS	16	1.455	10" IPS	10.75	0.977	7.16	5.98	14.96
12EIR1612	29,04	2.2163	16" IPS	16	1.455	12" IPS	12.75	1.159	7.16	7.17	14.96
12EIR1614	30,644	2.1585	16" IPS	16	1.455	14" IPS	14	1.273	7.16	6.5	14.57
12EIR1810	35,79	3.0263	18" IPS	18	1.636	10" IPS	10.75	0.977	7.68	5.98	16.14
12EIR1812	39,025	3.0263	18" IPS	18	1.636	12" IPS	12.75	1.159	7.68	6.5	16.14
12EIR1814	39,467	2.9531	18" IPS	18	1.636	14" IPS	14	1.273	7.68	6.5	15.75
12EIR1816	42,277	2.9531	18" IPS	18	1.636	16" IPS	16	1.455	7.68	7.16	15.75
12EIR2010	45,108	4.0556	20" IPS	20	1.818	10" IPS	10.75	0.977	8.66	5.98	17.52
12EIR2012	47,217	4.0556	20" IPS	20	1.818	12" IPS	12.75	1.159	8.66	6.52	17.52
12EIR2014	48,707	4.0556	20" IPS	20	1.818	14" IPS	14	1.273	8.66	6.5	17.52
12EIR2016	57,784	4.0556	20" IPS	20	1.818	16" IPS	16	1.455	8.66	7.17	17.52
12EIR2018	57,792	4.0093	20" IPS	20	1.818	18" IPS	18	1.636	8.66	7.68	17.32
12EIR2218	73,176	5.2938	22" IPS	22	2	18" IPS	18	1.636	9.06	7.68	18.9
12EIR2220	76,67	5.2938	22" IPS	22	2	20" IPS	20	1.818	9.05	8.66	18.9
12EIR2410	78,832	6.5633	24" IPS	24	2.182	10" IPS	10.75	0.977	9.45	5.98	19.69
12EIR2412	80,974	6.5633	24" IPS	24	2.182	12" IPS	12.75	1.159	9.45	6.52	19.69
12EIR2414	82,467	6.5633	24" IPS	24	2.182	14" IPS	14	1.273	9.45	6.5	19.69
12EIR2416	85,047	6.5633	24" IPS	24	2.182	16" IPS	16	1.455	9.45	7.17	19.69
12EIR2418	87,997	6.5633	24" IPS	24	2.182	18" IPS	18	1.636	9.45	7.68	19.69
12EIR2420	90,783	6.5633	24" IPS	24	2.182	20" IPS	20	1.818	9.45	8.86	19.69
12EIR2422	96,672	6.6267	24" IPS	24	2.182	22" IPS	22	2	9.45	9.05	19.88



**EIOFIT**

ITEM:

EIR

DESC: LONG SPIGOT REDUCER PE4710 SDR11

C:\Vault\_Temp\Disegni\Schede Tecniche\00\_inches\Eiofit\Butt Fusion  
Fitings\EL10191.dwg

All dimensions have to be considered in inches with 5% tolerance if not otherwise mentioned excluding values as per standard ASTM D2513/D3261 and/or AWWA C901/C906



DRAWING No:

EL 10191

SHEET OF REV.

2 2 -14