



SUBMITTAL DATA SHEET	
EL_IN_00007.docx	Rev. -0
Sheet 1 of 2	

ELOFIT BUTT FUSION FITTINGS

MJ ADAPTER PE4710 SDR11

ITEM: 12EIMJ_
SIZE RANGE: 2" DIPS x 2" IPS ÷ 24" DIPS x 24" IPS
SDR: 11
FUSION RANGE: For Butt Fusion – SDR11
For Electrofusion – SDR11 and up
MATERIAL: PE4710
COLOR: Black



INSTALLATION INSTRUCTION:

Butt fusion - Butt fitting in accordance with ASTM F2620, PPI TR-33 and NUPI Elofit Installation Manual
Electrofusion - Electrofusion in accordance with ASTM F1290 and NUPI Elofit Installation Manual

LISTINGS: ANSI/NSF 61

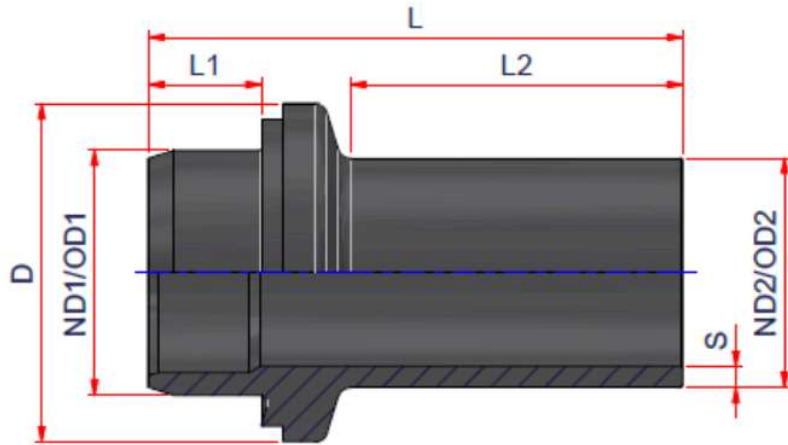
STANDARDS: ASTM D2513, ASTM D3261, ASTM D3350, AWWA C901, AWWA C906

MAXIMUM OPERATING PRESSURE:

PRESSURE RATING (psi) at 73°F					
SDR	Nominal	Water (0.63 DSF)	Water (0.5 DSF)	Gas (0.32 DSF)	Gas (0.4 DSF)
11	230	200	160	100	125

PRODUCT INFORMATION AND APPLICATION USE:

The Elofit Butt Fusion fittings are designed to be joined by butt fusion and electro fusion in accordance with the applicable standards and installation instructions. The dimensions and performance of the fittings comply with the requirements of ASTM D2513, ASTM D3261, AWWA C901/C906. The fittings are designed with a sufficient thickness and length of the melting zone to meet the pressure rating of the corresponding pipe SDR. Fittings are either injection molded, or fabricated from pipe and are black in color. HDPE material is listed PPI TR-4. Intended use is for: natural gas, water, sewerage, geothermal, industrial applications (ref. PPI TR-19). The hygienic properties for drinking water systems comply with NSF 61 requirements.



CODE	Weight lbs/pc	Volume ft ³ /pc	ND1	OD1	ND2	OD2	D	S	L1	L2	L
12EIMJ02	0.549	0.0562	2" DIPS	2.51	2" IPS	2.375	3.49	0.216	1.93	5.07	7.97
12EIMJ03	1.606	0.1708	3" DIPS	3.96	3" IPS	3.5	5.72	0.318	2.01	5.51	9.02
12EIMJ04	2.884	0.2641	4" DIPS	4.8	4" IPS	4.5	6.65	0.409	2.23	6.42	10.32
12EIMJ06	5.698	0.487	6" DIPS	6.9	6" IPS	6.625	8.63	0.602	2.38	7.23	11.3
12EIMJ08	10.275	0.8072	8" DIPS	9.05	8" IPS	8.625	10.75	0.784	2.38	7.66	12.07
12EIMJ10	17.264	1.3767	10" DIPS	11.1	10" IPS	10.75	13.25	0.977	2.25	9.03	13.55
12EIMJ12	23.84	1.7815	12" DIPS	13.2	12" IPS	12.75	15.43	1.159	1.73	8.52	12.93
12EIMJ14	26.418	1.9171	14" DIPS	15.3	14" IPS	14	16.98	1.273	1.73	7.28	11.49
12EIMJ16	38.455	2.8369	16" DIPS	17.4	16" IPS	16	19.98	1.455	1.73	7.35	12.28
12EIMJ18	48.993	3.5918	18" DIPS	19.5	18" IPS	18	21.57	1.636	1.73	8.33	13.34
12EIMJ20	60.276	4.4071	20" DIPS	21.6	20" IPS	20	23.62	1.818	1.73	8.33	13.65
12EIMJ24	92.048	6.3699	24" DIPS	25.8	24" IPS	24	27.95	2.182	1.73	8.33	14.09

MANUFACTURER'S WARRANTY:

Thirty (30) Years from the date of sale upon successful completion of pressure test of the piping system (refer to published warranty for complete details).

NOTE:

- * More information can be found on ELOFIT TECHNICAL CATALOGUE
- ** Technical Data may undergo dimensional changes, check revision at the top