



SUBMITTAL DATA SHEET	
EL_IN_00016.docx	Rev. -0
Sheet 1 of 2	

ELOFIT BUTT FUSION FITTINGS MJ ADAPTER DIPS x DIPS with STIFFENER SLEEVE PE4710 SDR11

ITEM: 12EIMJ_DSS

SIZE RANGE: 3" DIPS x 3" DIPS ÷ 24" DIPS x 24" DIPS

SDR: 11

FUSION RANGE: For Butt Fusion – SDR11
For Electrofusion – SDR11 and up

MATERIAL: PE4710

COLOR: Black



INSTALLATION INSTRUCTION:

Butt fusion - Butt fitting in accordance with ASTM F2620, PPI TR-33 and NUPI Elofit Installation Manual
Electrofusion - Electrofusion in accordance with ASTM F1290 and NUPI Elofit Installation Manual

LISTINGS: ANSI/NSF 61

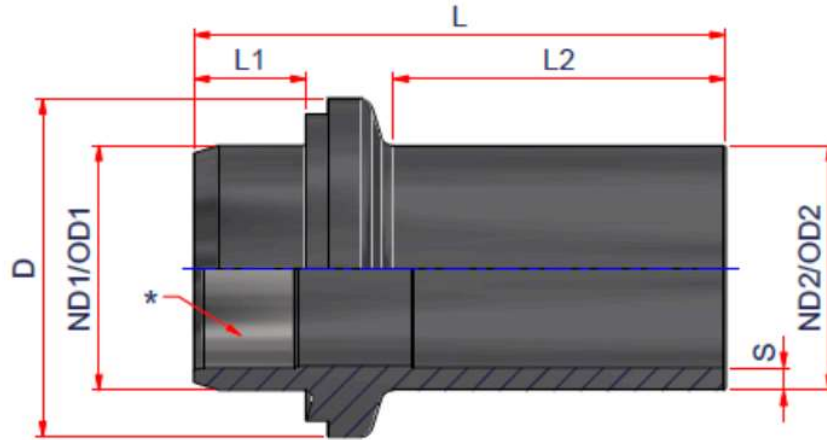
STANDARDS: ASTM D2513, ASTM D3261, ASTM D3350, AWWA C901, AWWA C906

MAXIMUM OPERATING PRESSURE:

PRESSURE RATING (psi) at 73°F					
SDR	Nominal	Water (0.63 DSF)	Water (0.5 DSF)	Gas (0.32 DSF)	Gas (0.4 DSF)
11	230	200	160	100	125

PRODUCT INFORMATION AND APPLICATION USE:

The Elofit Butt Fusion fittings are designed to be joined by butt fusion and electro fusion in accordance with the applicable standards and installation instructions. The dimensions and performance of the fittings comply with the requirements of ASTM D2513, ASTM D3261, AWWA C901/C906. The fittings are designed with a sufficient thickness and length of the melting zone to meet the pressure rating of the corresponding pipe SDR. Fittings are either injection molded, or fabricated from pipe and are black in color. HDPE material is listed PPI TR-4. Intended use is for: natural gas, water, sewerage, geothermal, industrial applications (ref. PPI TR-19). The hygienic properties for drinking water systems comply with NSF 61 requirements.



*: Stiffener Sleeve

CODE	Weight lbs/pc	Volume ft ³ /pc	ND1	OD1	ND2	OD2	D	S	L1	L2	L
12EIMJ03DSS	2.154	0.1708	3" DIPS	3.96	3" DIPS	3.96	5.72	0.36	2.01	5.58	9.02
12EIMJ04DSS	3.652	0.2587	4" DIPS	4.8	4" DIPS	4.8	6.62	0.437	2.17	6.38	10.2
12EIMJ06DSS	6.562	0.4846	6" DIPS	6.9	6" DIPS	6.9	8.62	0.628	2.38	7.23	11.27
12EIMJ08DSS	11.416	0.8032	8" DIPS	9.05	8" DIPS	9.05	10.75	0.823	2.38	7.67	12.01
12EIMJ10DSS	18.925	1.3716	10" DIPS	11.1	10" DIPS	11.1	13.25	1.009	2.25	9.03	13.5
12EIMJ12DSS	25.439	1.7522	12" DIPS	13.2	12" DIPS	13.2	15.35	1.2	1.73	8.52	12.85
12EIMJ14DSS	30.639	1.9505	14" DIPS	15.3	14" DIPS	15.3	16.98	1.134	1.73	7.39	11.69
12EIMJ16DSS	40.785	2.7653	16" DIPS	17.4	16" DIPS	17.4	19.98	1.582	1.73	7.4	11.97
12EIMJ18DSS	52.857	3.5326	18" DIPS	19.5	18" DIPS	19.5	21.57	1.773	1.73	8.33	13.12
12EIMJ20DSS	66.068	4.3263	20" DIPS	21.6	20" DIPS	21.6	23.62	1.964	1.73	8.33	13.4
12EIMJ24DSS	95.939	6.2478	24" DIPS	25.8	24" DIPS	25.8	27.95	2.346	1.73	8.33	13.82

MANUFACTURER'S WARRANTY:

Thirty (30) Years from the date of sale upon successful completion of pressure test of the piping system (refer to published warranty for complete details).

NOTE:

* More information can be found on ELOFIT TECHNICAL CATALOGUE

** Technical Data may undergo dimensional changes, check revision at the top