



SUBMITTAL DATA SHEET	
EL_IN_00087.docx	Rev. -0
Sheet 1 of 2	

ELOFIT BUTT FUSION FITTINGS LONG SPIGOT STUB END

ITEM: 12EICRT_
SIZE RANGE: 2" IPS ÷ 36" IPS
SDR: 11
FUSION RANGE: for Butt fusion – SDR11
for Electrofusion – SDR11 and up
MATERIAL: PE4710 / PE100
COLOR: Black



INSTALLATION INSTRUCTIONS:

Butt fusion - Butt fitting in accordance with ASTM F2620, PPI TR-33 and NUPI Elofit Installation Manual
Electrofusion - Electrofusion in accordance with ASTM F1290 and NUPI Elofit Installation Manual

LISTINGS: ANSI/NSF 61

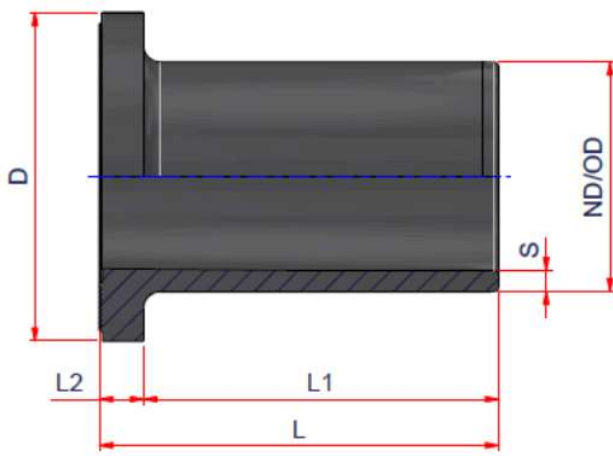
STANDARDS: ASTM D2513, ASTM F1055, ASTM D3350, AWWA C901, AWWA C906, FM 1613

MAXIMUM OPERATING PRESSURE:

PRESSURE RATING (psi) at 73°F					
SDR	Nominal	Water (0.63 DSF)	Water (0.5 DSF)	Gas (0.32 DSF)	Gas (0.4 DSF)
11	230	200	160	100	125

PRODUCT INFORMATION AND APPLICATION USE:

The Elofit Butt Fusion fittings are designed to be joined by butt fusion and electro fusion in accordance with the applicable standards and installation instructions. The dimensions and performance of the fittings comply with the requirements of ASTM D2513, ASTM D3261, AWWA C901/C906. The fittings are designed with a sufficient thickness and length of the melting zone to meet the pressure rating of the corresponding pipe SDR. Fittings are either injection molded, or fabricated from pipe and are black in color. HDPE material is listed PPI TR-4. Intended use is for: natural gas, water, sewerage, geothermal, industrial applications (ref. PPI TR-19). The hygienic properties for drinking water systems comply with NSF 61 requirements.



CODE	Flange Type (DN according to ANSI 150#)	Weight lbs/pc	Volume ft ³ /pc	ND	OD	S	D	L1	L2	L	FM APPROVED
12EICRT02	2"	0.425	0.053	2" IPS	2.375	0.216	3.94	5.47	0.39	5.91	200 PSI
12EICRT03	3"	0.911	0.0877	3" IPS	3.5	0.318	5	5.39	0.63	6.06	200 PSI
12EICRT04	4"	1.411	0.1236	4" IPS	4.5	0.409	6.02	5.1	0.75	5.89	200 PSI
12EICRT06	6"	3.721	0.3206	6" IPS	6.625	0.603	8.58	6.65	0.83	7.52	200 PSI
12EICRT08	8"	8.047	0.6179	8" IPS	8.625	0.785	10.63	8.11	1.34	9.45	200 PSI
12EICRT10	10"	11.061	0.8017	10" IPS	10.75	0.977	12.52	7.42	1.38	8.84	200 PSI
12EICRT12	12"	20.377	0.8017	12" IPS	12.75	1.159	12.52	7.42	1.38	8.84	200 PSI
12EICRT14	14"	25.749	1.9916	14" IPS	14	1.273	16.93	10.28	1.65	12.01	200 PSI
12EICRT16	16"	34.538	2.5756	16" IPS	16	1.455	19.25	10.06	1.89	12.01	200 PSI
12EICRT18	18"	41.8	2.9125	18" IPS	18	1.636	20.47	9.92	2.03	12.01	200 PSI
12EICRT20	20"	51.447	3.7494	20" IPS	20	1.818	23.23	9.65	2.3	12.01	200 PSI
12EICRT22	22"	62.96	4.4118	22" IPS	22	2	25.2	9.43	2.52	12.01	200 PSI
12EICRT24	24"	76.002	5.1653	24" IPS	24	2.182	27.26	9.19	2.76	12.01	200 PSI
12EICRT26	26"	-	6.7142	26" IPS	26	2.364	29.53	10.24	3.01	13.31	
12EICRT28	28"	113.992	7.7115	28" IPS	28	2.545	31.3	10.28	3.27	13.6	
12EICRT30	30"	137.222	9.2628	30" IPS	30	2.727	33.94	10.31	3.52	13.9	
12EICRT36	36"	208.877	13.8347	36" IPS	36	3.273	39.13	11.38	4.15	15.61	

MANUFACTURER’S WARRANTY:

Thirty (30) Years from the date of sale upon successful completion of pressure test of the piping system (refer to published warranty for complete details).

NOTE:

- * More information can be found on ELOFIT TECHNICAL CATALOGUE
- ** Technical Data may undergo dimensional changes, check revision at the top