



SUBMITTAL DATA SHEET	
EL_IN_00045.docx	Rev. -0
Sheet 1 of 2	

ELOFIT BUTT FUSION FITTINGS

LONG SPIGOT 90° ELBOW

ITEM: 12EIG_
SIZE RANGE: 2" IPS ÷ 12" IPS
SDR: 11
FUSION RANGE: for Butt fusion – SDR11
for Electrofusion – SDR11 and up
MATERIAL: PE4710 / PE100
COLOR: Black



INSTALLATION INSTRUCTIONS:

Butt fusion - Butt fitting in accordance with ASTM F2620, PPI TR-33 and NUPI Elofit Installation Manual
Electrofusion - Electrofusion in accordance with ASTM F1290 and NUPI Elofit Installation Manual

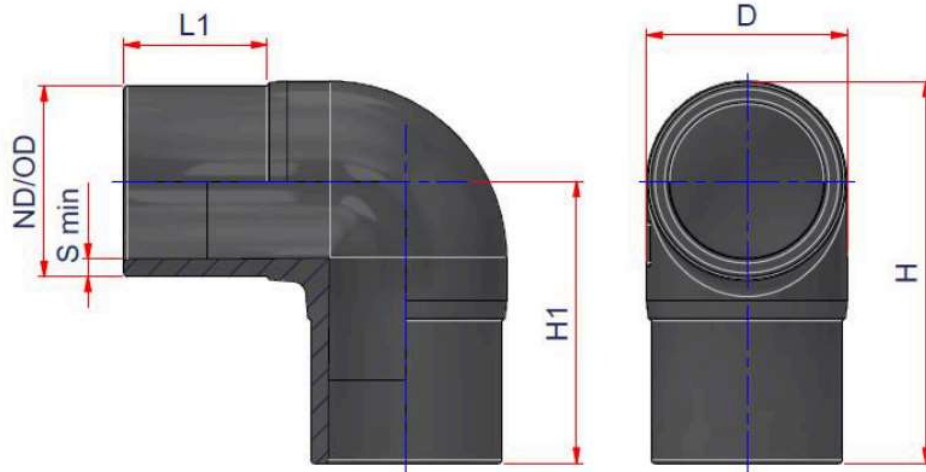
LISTINGS: ANSI/NSF 61
STANDARDS: ASTM D2513, ASTM F1055, ASTM D3350, AWWA C901, AWWA C906, FM 1613

MAXIMUM OPERATING PRESSURE:

PRESSURE RATING (psi) at 73°F					
SDR	Nominal	Water (0.63 DSF)	Water (0.5 DSF)	Gas (0.32 DSF)	Gas (0.4 DSF)
11	230	200	160	100	125

PRODUCT INFORMATION AND APPLICATION USE:

The Elofit Butt Fusion fittings are designed to be joined by butt fusion and electro fusion in accordance with the applicable standards and installation instructions. The dimensions and performance of the fittings comply with the requirements of ASTM D2513, ASTM D3261, AWWA C901/C906. The fittings are designed with a sufficient thickness and length of the melting zone to meet the pressure rating of the corresponding pipe SDR. Fittings are either injection molded, or fabricated from pipe and are black in color. HDPE material is listed PPI TR-4. Intended use is for: natural gas, water, sewerage, geothermal, industrial applications (ref. PPI TR-19). The hygienic properties for drinking water systems comply with NSF 61 requirements.



CODE	Weight lbs/pc	Volume ft ³ /pc	ND	OD	D	S min	L1	H1	H	FM APPROVED
12EIG02	0.556	0.0505	2" IPS	2.375	2.68	0.22	2.76	4.72	6.06	200 PSI
12EIG03	0.672	0.1217	3" IPS	3.5	3.8	0.32	3.54	5.85	7.75	200 PSI
12EIG04	2.662	0.1971	4" IPS	4.5	4.8	0.41	3.43	6.3	8.7	200 PSI
12EIG06	6.978	0.5819	6" IPS	6.625	6.77	0.39	4.72	8.94	12.32	200 PSI
12EIG08	18.333	1.2162	8" IPS	8.625	9.17	0.51	5.51	11.02	15.61	200 PSI
12EIG10	30.102	2.1522	10" IPS	10.75	11.34	0.98	6.1	12.8	18.6	200 PSI
12EIG12	46.055	3.4969	12" IPS	12.75	13	1.16	7.6	15.28	21.77	200 PSI

MANUFACTURER'S WARRANTY:

Thirty (30) Years from the date of sale upon successful completion of pressure test of the piping system (refer to published warranty for complete details).

NOTE:

* More information can be found on ELOFIT TECHNICAL CATALOGUE

** Technical Data may undergo dimensional changes, check revision at the top