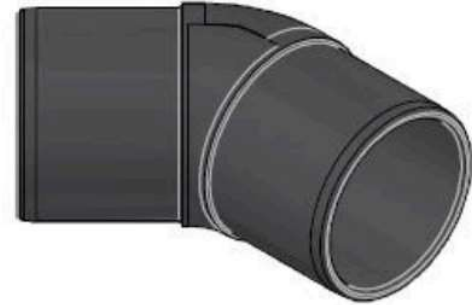




SUBMITTAL DATA SHEET	
EL_IN_00050.docx	Rev. -0
Sheet 1 of 2	

# ELOFIT BUTT FUSION FITTINGS LONG SPIGOT 45° ELBOW



**ITEM:** 12EIC\_  
**SIZE RANGE:** 2" IPS ÷ 12" IPS  
**SDR:** 11  
**FUSION RANGE:** for Butt fusion – SDR11  
for Electrofusion – SDR11 and up  
**MATERIAL:** PE4710 / PE100  
**COLOR:** Black

**INSTALLATION INSTRUCTIONS:**

Butt fusion - Butt fitting in accordance with ASTM F2620, PPI TR-33 and NUPI Elofit Installation Manual  
Electrofusion - Electrofusion in accordance with ASTM F1290 and NUPI Elofit Installation Manual

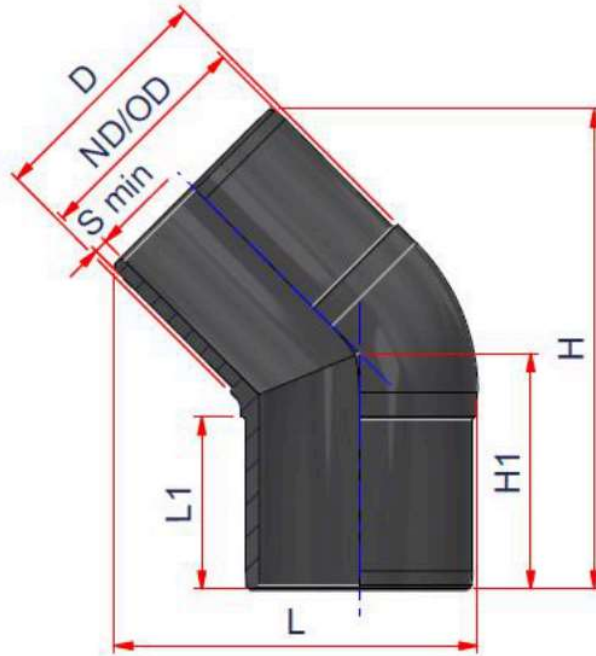
**LISTINGS:** ANSI/NSF 61  
**STANDARDS:** ASTM D2513, ASTM F1055, ASTM D3350, AWWA C901, AWWA C906, FM 1613

**MAXIMUM OPERATING PRESSURE:**

PRESSURE RATING (psi) at 73°F					
SDR	Nominal	Water (0.63 DSF)	Water (0.5 DSF)	Gas (0.32 DSF)	Gas (0.4 DSF)
11	230	200	160	100	125

**PRODUCT INFORMATION AND APPLICATION USE:**

The Elofit Butt Fusion fittings are designed to be joined by butt fusion and electro fusion in accordance with the applicable standards and installation instructions. The dimensions and performance of the fittings comply with the requirements of ASTM D2513, ASTM D3261, AWWA C901/C906. The fittings are designed with a sufficient thickness and length of the melting zone to meet the pressure rating of the corresponding pipe SDR. Fittings are either injection molded, or fabricated from pipe and are black in color. HDPE material is listed PPI TR-4. Intended use is for: natural gas, water, sewerage, geothermal, industrial applications (ref. PPI TR-19). The hygienic properties for drinking water systems comply with NSF 61 requirements.



CODE	Weight lbs/pc	Volume ft <sup>3</sup> /pc	ND	OD	S min	D	L1	L	H1	H	FM APPROVED
12EIC02	0.46	0.0496	2" IPS	2.375	0.216	2.68	2.76	4.66	3.54	6.86	200 PSI
12EIC03	1.302	0.1306	3" IPS	3.5	0.318	3.8	3.54	6.42	4.72	9.25	200 PSI
12EIC04	2.043	0.1803	4" IPS	4.5	0.409	4.53	3.43	7.15	4.72	9.62	200 PSI
12EIC06	5.662	0.5175	6" IPS	6.625	0.603	6.77	4.13	10.13	6.3	13.04	200 PSI
12EIC08	12.956	1.2533	8" IPS	8.625	0.785	9.17	5.51	13.55	8.47	17.43	200 PSI
12EIC10	23.528	2.1993	10" IPS	10.75	0.978	11.34	6.1	16.34	9.84	20.51	200 PSI
12EIC12	-	3.6097	12" IPS	12.75	1.16	12.99	7.6	19.37	11.93	24.79	200 PSI

**MANUFACTURER’S WARRANTY:**

Thirty (30) Years from the date of sale upon successful completion of pressure test of the piping system (refer to published warranty for complete details).

**NOTE:**

\* More information can be found on ELOFIT TECHNICAL CATALOGUE  
 \*\* Technical Data may undergo dimensional changes, check revision at the top