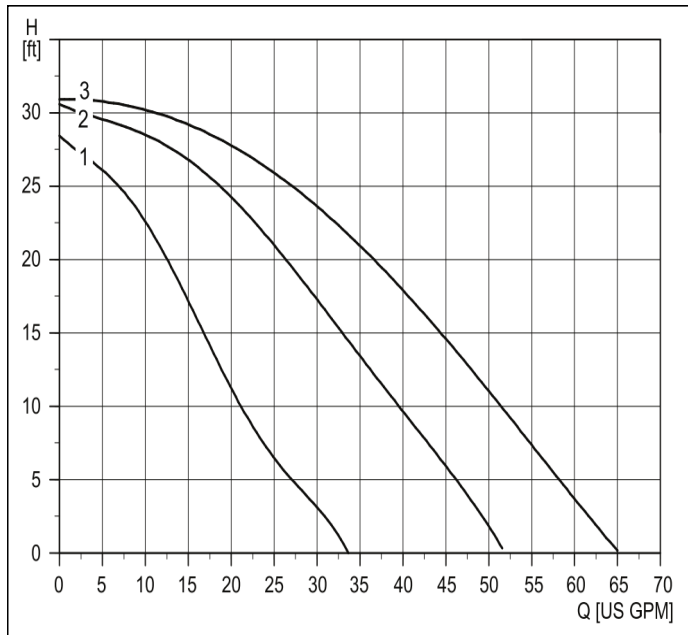


Technical Data



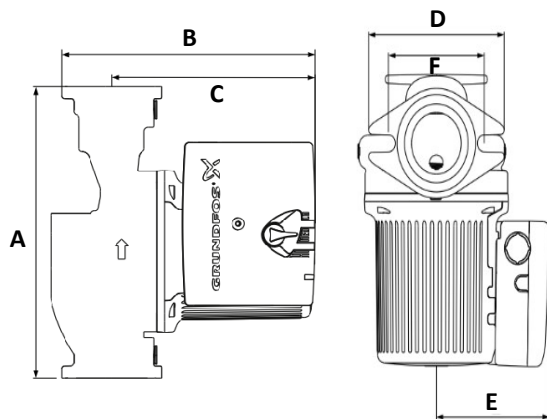
B&D PART# G43-100F

GRUNDFOS 43-100 PUMP 3 SPEED (230V)



- Flow Range:** 0-65 gpm
- Head Range:** 0-31 feet
- Motors:** 2-pole, single-phase
- Max. Liquid temperature:** 230 °F (110 °C)
- Min. Liquid temperature:** 36 °F (2 °C)
- Max. system pressure:** 145 psi (10 bar)

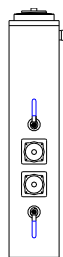
Speed	Volts	Amps	Watts	Hp	Capacitor
3	230	1.7	370	1/6	10uF/400V
2		1.5	335	1/6	10uF/400V
1		1.2	265	1/6	10uF/400V



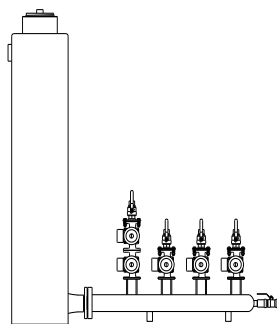
Dimensions (inches)

A	B	C	D	E	F	Connection type and size	Shipping weight (lbs)
8-1/2	7-3/8	5-7/8	4-1/2	3-3/4	3-1/8	GF 40/43 flange (2) 1/2" dia. bolt holes	18.47

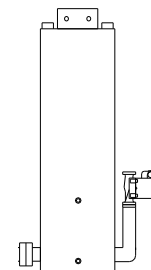
This Pump is Available on the Non Pressurized Flow Centers Pictured Below



XT SERIES



MULTIZONE SERIES



HSS BUFFER TANK SERIES