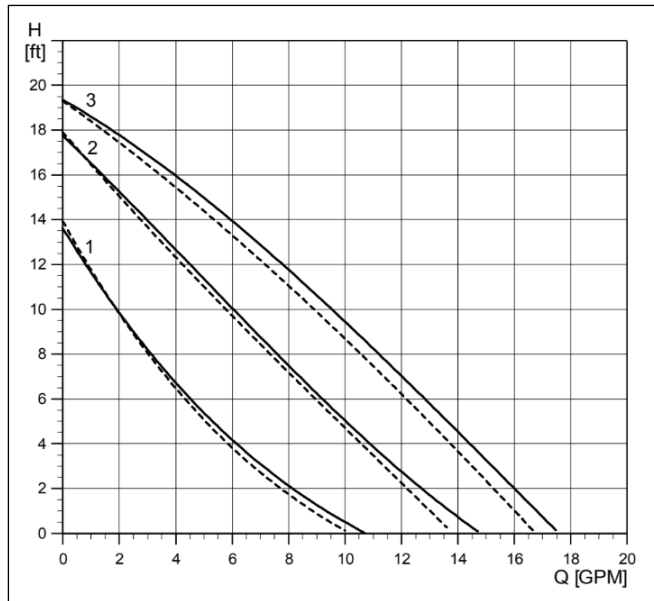


Technical Data



B&D PART# G15-58F

GRUNDFOS 15-58 PUMP 3 SPEED (115V)

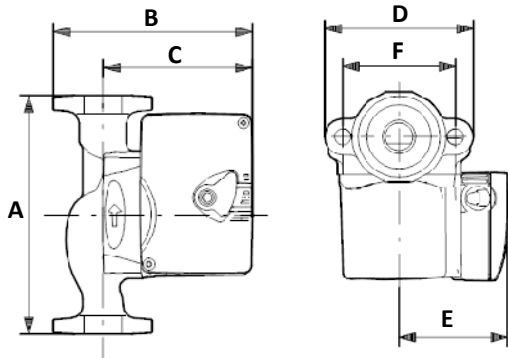
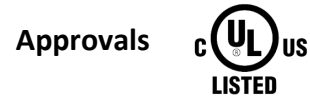


Flow Range: 0-17 gpm
 Head Range: 0-19.5 feet
 Motors: 2-pole, single-phase
 Max. Liquid temperature 230 °F (110 °C)
 Min. Liquid temperature 36 °F (2 °C)
 Max. system pressure 145 psi (10 bar)

| Speed | Volts | Amps | Watts | Hp | Capacitor |
|-------|-------|------|-------|------|------------|
| 3 | 115 | 0.75 | 87 | 1/25 | 10uF/180 V |
| 2 | | 0.66 | 80 | 1/25 | |
| 1 | | 0.55 | 60 | 1/25 | |

———— Without check valve - - - - With check valve

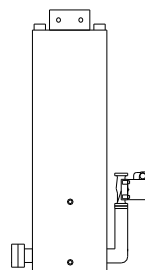
NOTE: Refer to the Without check valve on the pump curve chart above for your desired flow capabilities on this pump.



Dimensions (inches)

| A | B | C | D | E | F | Connection type and size | Shipping weight (lbs) |
|-------|-------|---|--------|---|--------|---|-----------------------|
| 6-1/2 | 5-1/4 | 4 | 4-3/16 | 3 | 3-5/32 | GF 15/26 flange (2) 1/2" dia. bolt holes | 7-1/4 |

This Pump is Available on the Non Pressurized HSS® Buffer Tank Pictured Below



HSS BUFFER TANK SERIES

