



TECHNICAL INFORMATION

THE MATERIAL:

- ◇ BODY IN BLACK PP
- ◇ NUT IN LIGHT BLUE ACETAL COPOLYMER POM
- ◇ GASKET IN NBR 70 SHORE
- ◇ SPLIT RING IN WHITE POLYACETAL

FIELD OF USE: PE100, PE80, PE63, PE40, PE32 PIPES

INTERNATIONAL STANDARD: ACCORDING TO ISO 14236-2000

ASSEMBLY INSTRUCTIONS

Cut the pipe with the pipe cutter, chamfer and clean the pipe before installation!

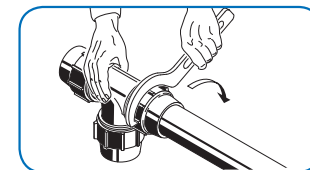
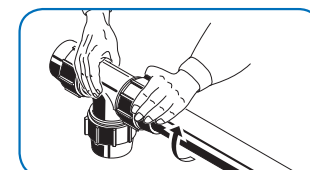
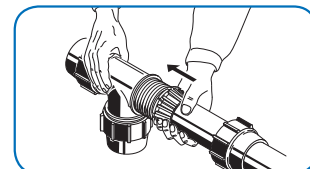
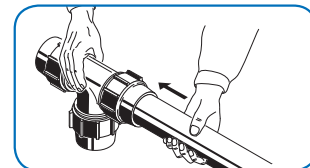
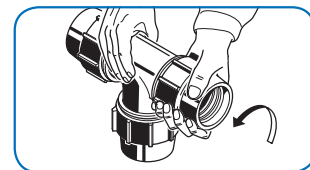
Unscrew the nut and the split ring. Put the pipe through the nut and the split ring- with the conic part facing the nut.

Insert the pipe into the body until bottoms out.

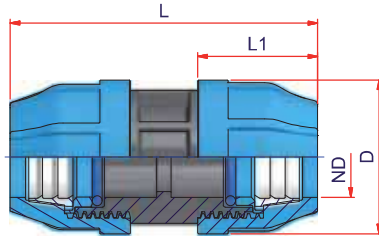
Slide the split ring until it reaches the body of the fitting.

Tighten the nut on the body of the fitting.

Use a wrench to completely tighten the nut.

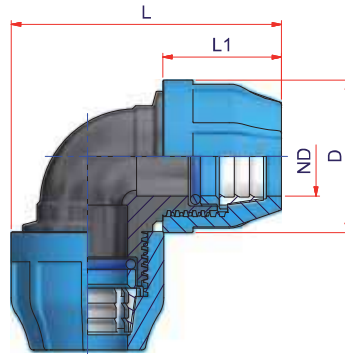


COMPRESSION FITTINGS



COUPLER

Code	Nominal Size IPS	Pack.	Q.ty pallet	Weight lb/p.	Volume ft ³ /p.	ND (IPS)	D	L1	L
10KIMAN34	3/4"	35	1,680	0.314	0.0160	3/4"	2.09	4.59	1.77
10KIMAN01	1"	20	960	0.495	0.0280	1"	2.57	5.35	2.09
10KIMAN114	1"1/4	12	576	0.880	0.0466	1"1/4	3.19	6.37	2.48
10KIMAN02	2"	23	276	1.970	0.1159	2"	4.41	8.42	3.29

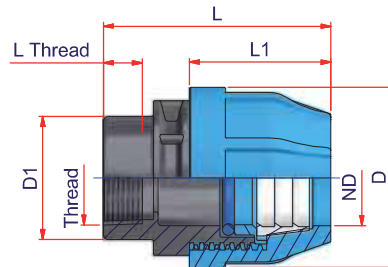


90° ELBOW

Code	Nominal Size IPS	Pack.	Q.ty pallet	Weight lb/p.	Volume ft ³ /p.	ND (IPS)	D	L	L1
10KIG34	3/4"	30	1,440	0.301	0.0187	3/4"	2.09	1.77	3.93
10KIG1	1"	18	864	0.550	0.0310	1"	2.57	2.09	4.67
10KIG114	1"1/4	8	384	0.963	0.0700	1"1/4	3.19	2.48	5.66
10KIG2	2"	-	-	-	-	2"	4.41	3.29	

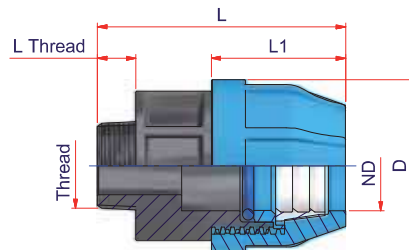


COMPRESSION FITTINGS



FEMALE STRAIGHT ADAPTER

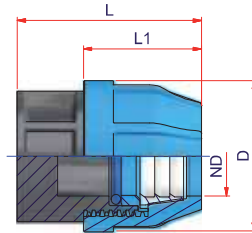
Code	Nominal Size IPS x NPT	Pack.	Q.ty pallet	Weight lb/p.	Volume ft ³ /p.	ND (IPS)	Thread	L Thread	D1	D	L1	L
10KIRFF3434NPT	3/4" x 3/4" NPT	30	2.640	0.161	0.0100	3/4"	3/4" NPT	0.62	1.48	2.09	1.77	3.14
10KIRFF0101NPT	1" x 1" NPT	35	1.680	0.277	0.0160	1"	1" NPT	0.68	1.77	2.58	2.09	3.46
10KIRFF114114NPT	1"1/4 x 1"1/4 NPT	18	864	0.495	0.0310	1"1/4	1"1/4 NPT	0.88	2.16	3.19	2.48	4.01
10KIRFF0202NPT	2" x 2" NPT	32	384	1.258	0.0833	2"	2" NPT	0.72	3.08	4.41	3.29	6.18



MALE STRAIGHT ADAPTER

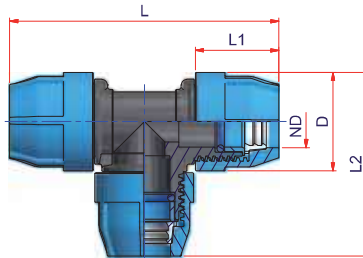
Code	Nominal Size IPS	Pack.	Q.ty pallet	Weight lb/p.	Volume ft ³ /p.	ND (IPS)	Thread	L Thread	D	L1	L
10KIRFM3434NPT	3/4" x 3/4" NPT	30	2.640	0.183	0.0093	3/4"	3/4" NPT	0.55	2.09	1.77	3.18
10KIRFM0101NPT	1" x 1" NPT	35	1.680	0.280	0.0160	1"	1" NPT	0.75	2.57	2.09	4.02
10KIRFM114114NPT	1"1/4 x 1"1/4 NPT	18	864	0.495	0.0310	1"1/4	1"1/4 NPT	0.71	3.19	2.48	4.01
10KIRFM0202NPT	2" x 2" NPT	32	384	1.213	0.0833	2"	2" NPT	1.01	4.41	3.29	6.47

COMPRESSION FITTINGS



END FITTING

Code	Nominal Size IPS	Pack.	Q.ty pallet	Weight lb/p.	Volume ft ³ /p.	ND (IPS)	D	L1	L
10KITAPPO34	3/4"	30	2.880	0.205	0.0100	3/4"	2.09	1.77	2.63
10KITAPPO1	1"	-	-	-	-	1"	2.57	2.09	3.27
10KITAPPO114	1"1/4	12	1.056	0.477	0.0230	1"1/4	3.19	2.48	3.88
10KITAPPO2	2"	-	-	-	-	2"	4.41	3.29	5.47

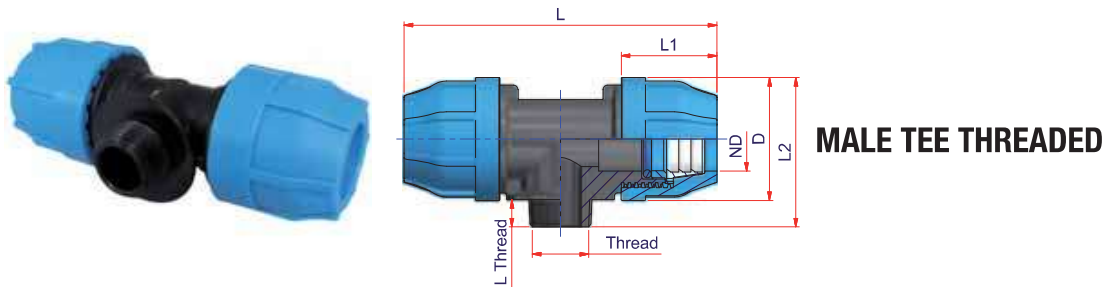


EQUAL TEE

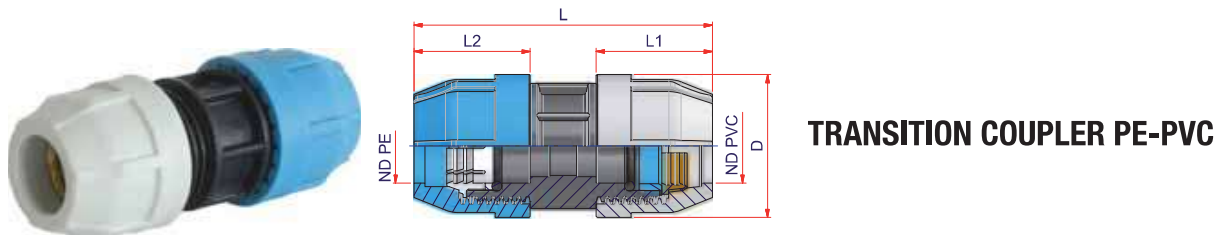
Code	Nominal Size IPS	Pack.	Q.ty pallet	Weight lb/p.	Volume ft ³ /p.	ND (IPS)	D	L1	L2	L
10KIT34	3/4"	20	960	0.429	0.0280	3/4"	2.09	1.77	3.90	5.70
10KIT1	1"	-	-	-	-	1"	2.57	2.09	4.67	6.77
10KIT114	1"1/4	-	-	-	-	1"1/4	3.19	2.48	5.66	8.11
10KIT2	2"	-	-	-	-	2"	4.41	3.29	8.07	11.73



COMPRESSION FITTINGS

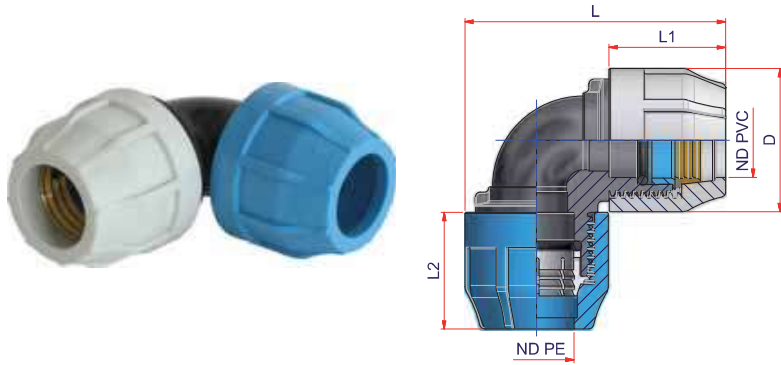


Code	Nominal Size IPS	Pack.	Q.ty pallet	Weight lb/p.	Volume ft ³ /p.	ND (IPS)	Thread	L Thread	D	L1	L2	L
10KITM3434NPT	3/4"	-	-	-	-	3/4"	3/4" NPT	0.55	2.58	1.77	2.63	5.70
10KITM11NPT	1"	-	-	-	-	1"	1" NPT	0.75	2.57	2.09	3.27	6.77
10KITM114114NPT	1"1/4	-	-	-	-	1"1/4	1"1/4 NPT	0.70	3.19	2.48	3.89	8.11
10KITM0202NPT	2"	-	-	-	-	2"	2" NPT	1.01	4.41	3.29	5.42	11.73



Code	Nominal Size IPS	Pack.	Q.ty pallet	Weight lb/p.	Volume ft ³ /p.	ND PE (IPS)	D	L1	ND PVC (IPS)	L2	L
10KIMAN3434PVC	3/4" - 3/4"	25	1.200	0.440	0.0223	3/4"	2.09	1.77	3/4"	2.08	5.15
10KIMAN0101PVC	1" - 1"					1"	2.57	2.09	1"	2.08	5.15
10KIMAN114114PVC	1"1/4 - 1"1/4					1"1/4	3.19	3.19	1"1/4	2.08	5.15
10KIMAN0202PVC	2" - 2"					2"					

COMPRESSION FITTINGS



TRANSITION ELBOW 90° PE-PVC

Code	Nominal Size IPS	Pack.	Q.ty pallet	Weight lb/p.	Volume ft ³ /p.	ND PE (IPS)	D1	L1	L11	ND PVC (IPS)	D2	L2	L22
10KIG3434PVC	3/4" - 3/4"	20	960	0.479	0.0280	3/4"	2.08	1.77	4.37	3/4"	2.55	2.08	4.60
10KIG0101PVC	1" - 1"												
10KIG114114PVC	1"1/4 - 1"1/4												



TRANSITION KIT



CONVERSION KIT PE-PVC 3/4"

Code	Nominal Size IPS	Pack.	Q.ty pallet	Weight lb/p.	Volume ft ³ /p.
10KITPVC34	3/4"				



CONVERSION KIT PE-PVC 1"

Code	Nominal Size IPS	Pack.	Q.ty pallet	Weight lb/p.	Volume ft ³ /p.
10KITPVC1	1"				



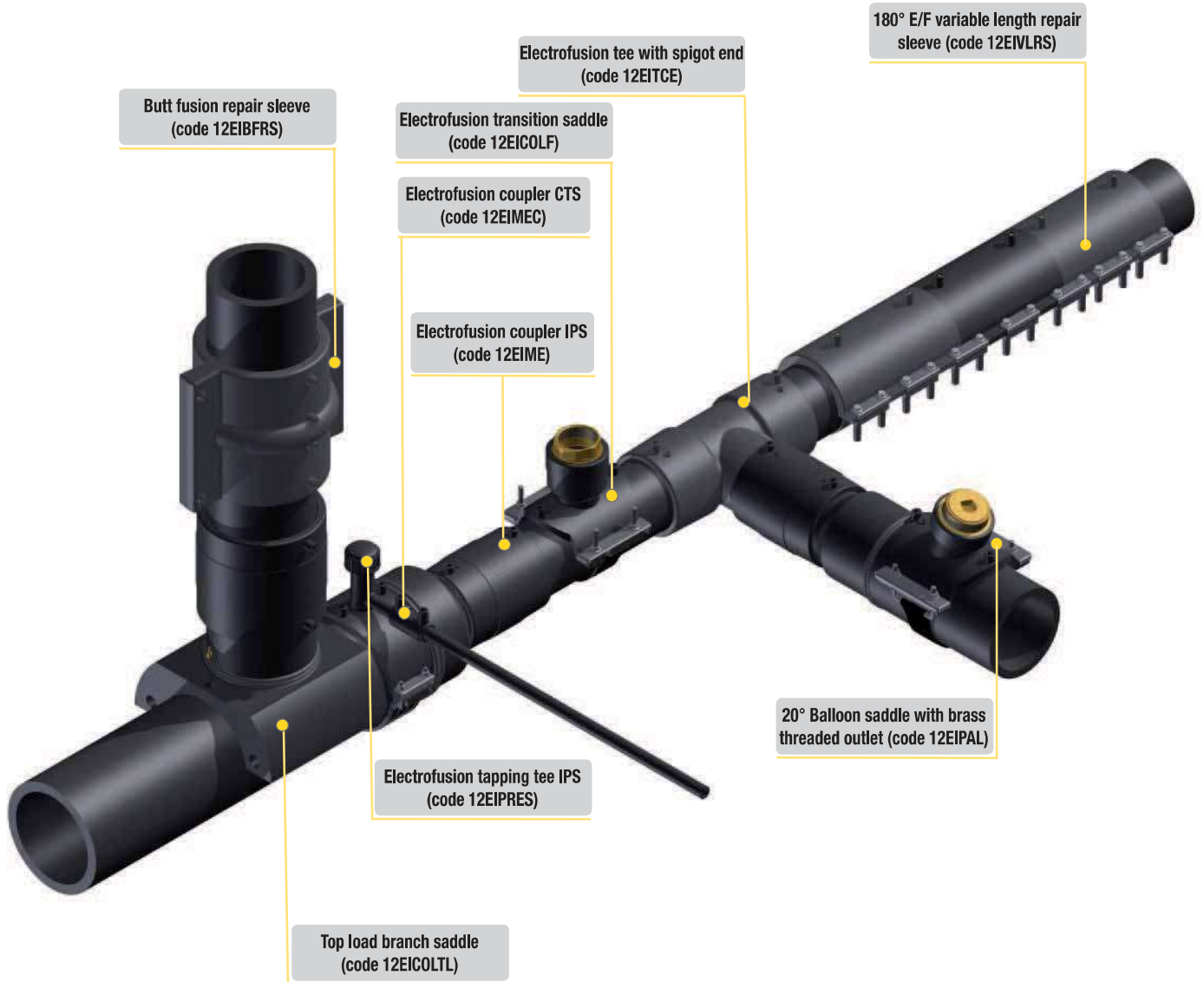
CONVERSION KIT PE-PVC 1"1/4

Code	Nominal Size IPS	Pack.	Q.ty pallet	Weight lb/p.	Volume ft ³ /p.
10KITPVC114	1"1/4				

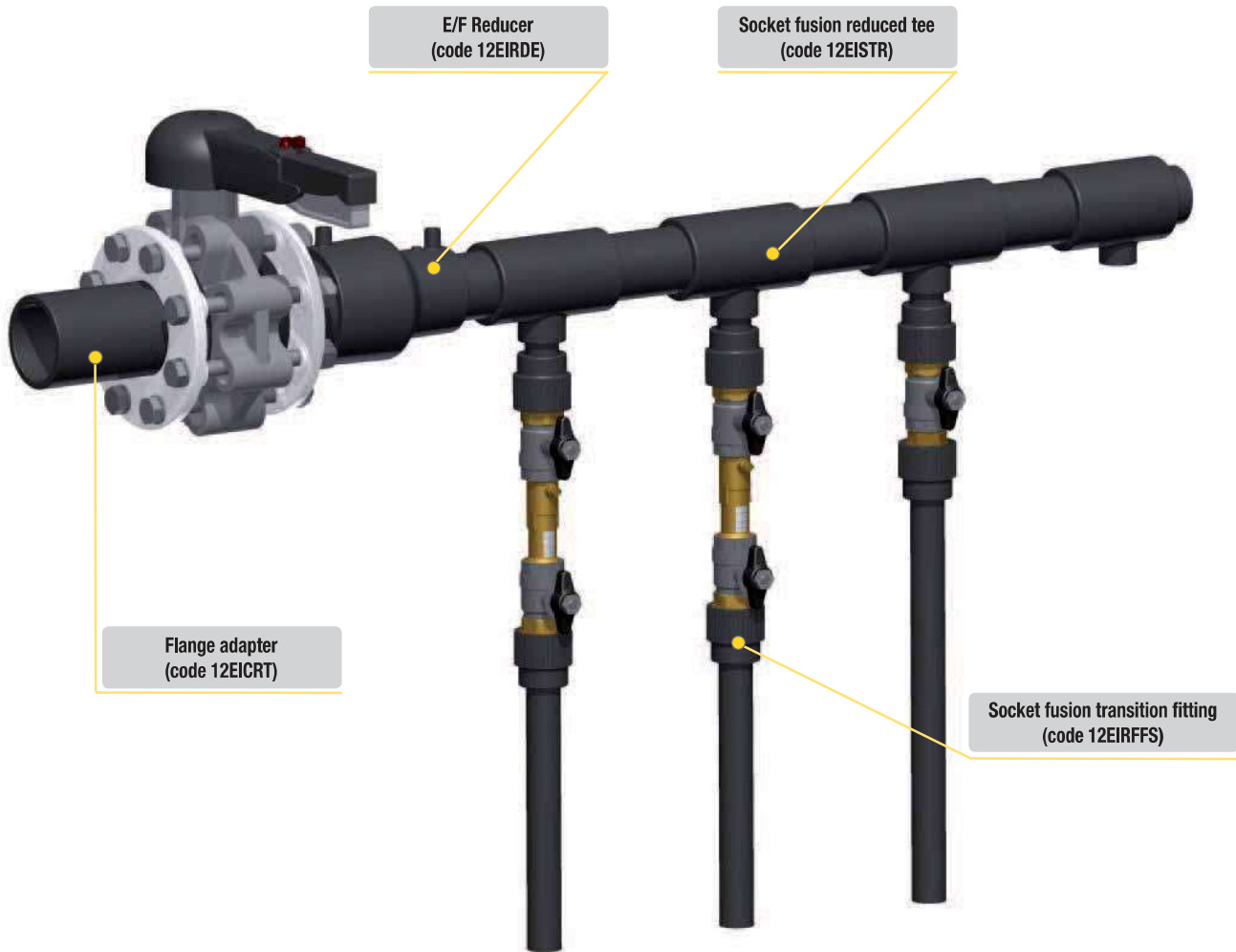




EXAMPLE OF INSTALLATIONS

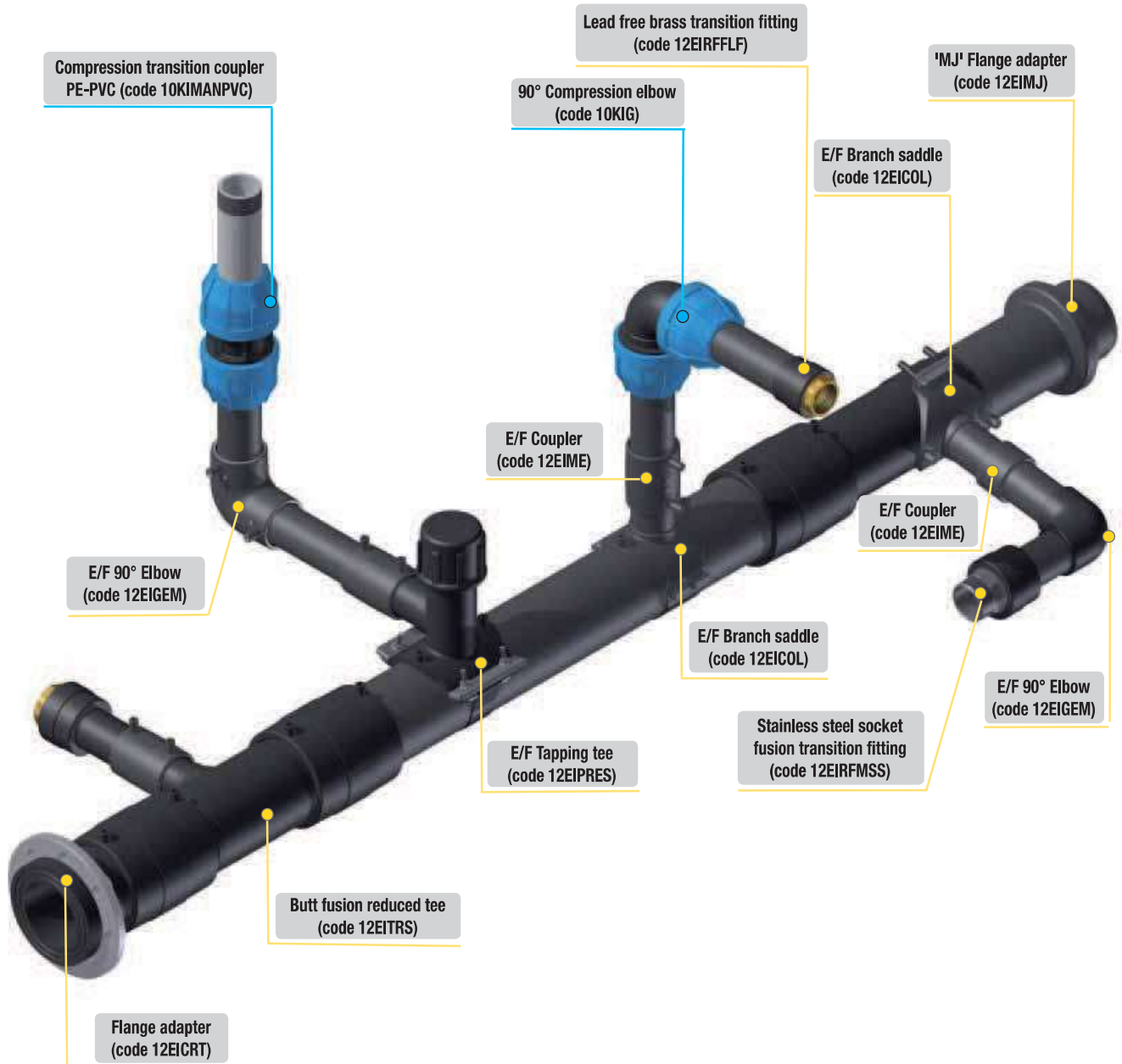


EXAMPLE OF INSTALLATIONS





EXAMPLE OF INSTALLATIONS





NUPI AMERICAS

1511 Superior Way
Houston, TX 77039

Tel. 281-590-4471

Fax 281-590-5268

www.nupiamericas.com