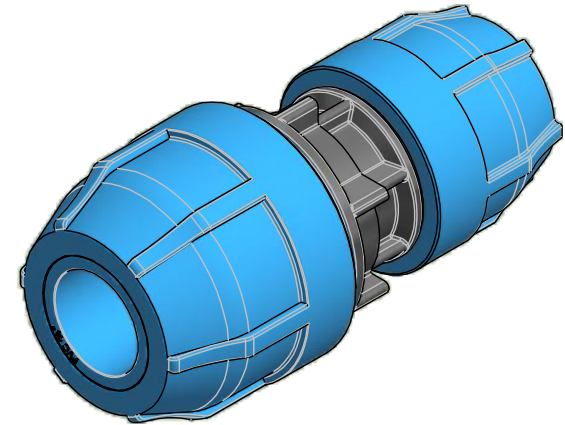


CODE	ND (PE)	D1	L1	ND (PVC)	D2	L2	L
10KIMAN3424PVC	3/4	2.08	1.77	3/4	2.55	2.08	5.15



Elopress



ITEM:
KIMAN_PVC

C:\Vault_Temp\Disegni\Corinna\Tabelle\Elopress\POLLICI USA\Kiman - pvc\EP10003.dwg

DESC: TRANSITION COUPLER PE-PVC



DRAWING No:
EP10003

SHEET OF	REV.
1 1	0

www.nupiamericas.com - info@nupiamericas.com

All dimensions have to be considered in inches with 5% tolerance if not otherwise mentioned