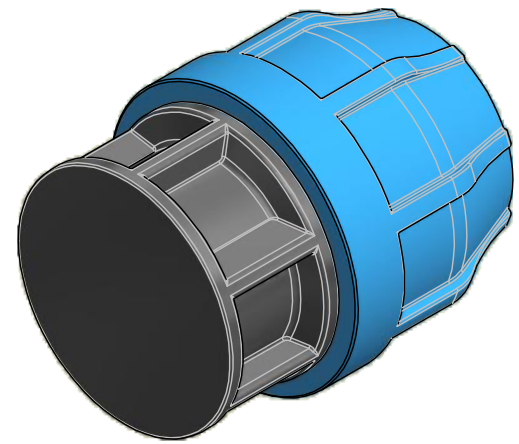


| CODE         | ND (IPS) | D    | L1   | L    |
|--------------|----------|------|------|------|
| 10KITAPPO034 | 3/4      | 2.08 | 1.77 | 2.63 |
| 10KITAPPO01  | 1        | 2.56 | 2.09 | 3.42 |
| 10KITAPPO114 | 1 1/4    | 3.18 | 2.48 | 3.89 |
| 10KITAPPO02  | 2        | 4.41 | 3.31 | 5.47 |



**EloPRESS**



ITEM: **KITAPPO**

C:\Vault\_Temp\Disegni\Corinna\Tabelle\Elopress\POLLICI USA\Kitappo\EP10006.dwg

DESC: END FITTING



DRAWING No:  
**EP10006**

|          |      |
|----------|------|
| SHEET OF | REV. |
| 1 1      | 0    |

www.nupiamericas.com - info@nupiamericas.com

All dimensions have to be considered in inches with 5% tolerance if not otherwise mentioned