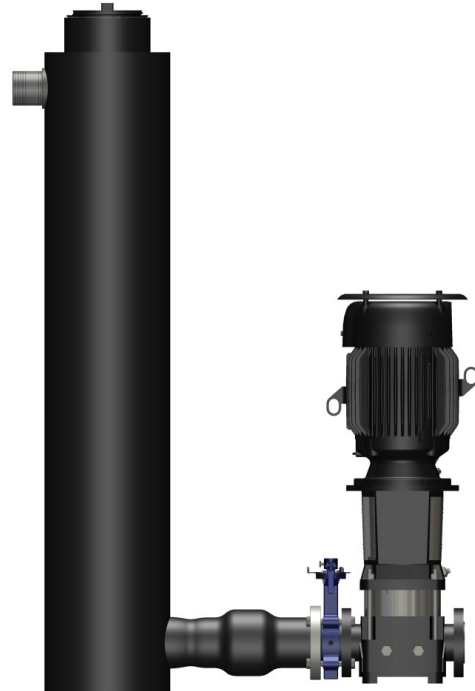


## SPFC-C13T-3-230-1

### CR32-1-1 SINGLE SMART PUMP SYSTEM

#### INCLUDES THE FOLLOWING

- 1 ("C" Canister w/ 3" Male Inlet)
- 1 (CR32-1-1 Pump End)
- 1 (3HP Baldor Motor)
- 1 (3HP Yaskawa VFD (Single Phase 230V))
- 1 (3" Check and Butterfly Valve)
- 1 (Gauge Assembly w/ Transducer Sensor)



NOTE: Smart Pump image above is of actual product after field assembly.

## Dimensional Data

NOTE: Smart Pump image below is shown without pumps for dimensional reference only.

