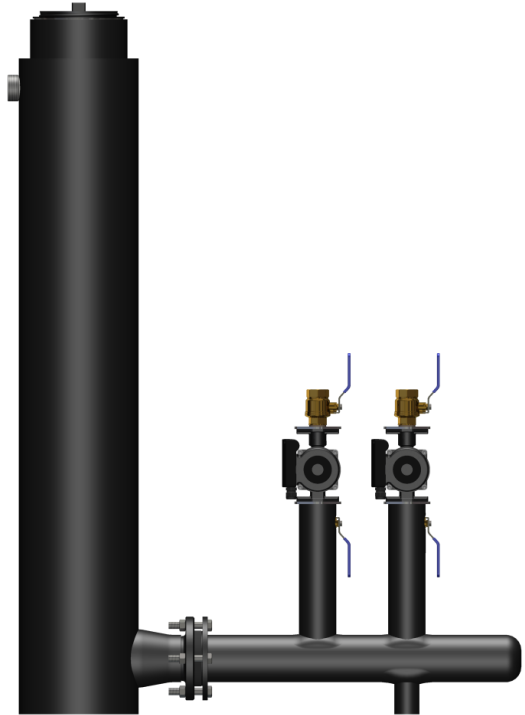


# MULTIZONE PRODUCT INFORMATION

## CFCB2000-3G

Multizone "B" Tank  
(2" Stainless MPT Inlet Standard)  
Includes 2 Circuit Outlet Manifold  
Ball Valves & Hardware Included  
2 Circuits - 2 Single 26-99 230V Pumps (3-Speed Pumps)



NOTE: Multizone image above is of actual product after field assembly.

## Dimensional Data

NOTE: Multizone image below is shown without pumps for dimensional reference only.

