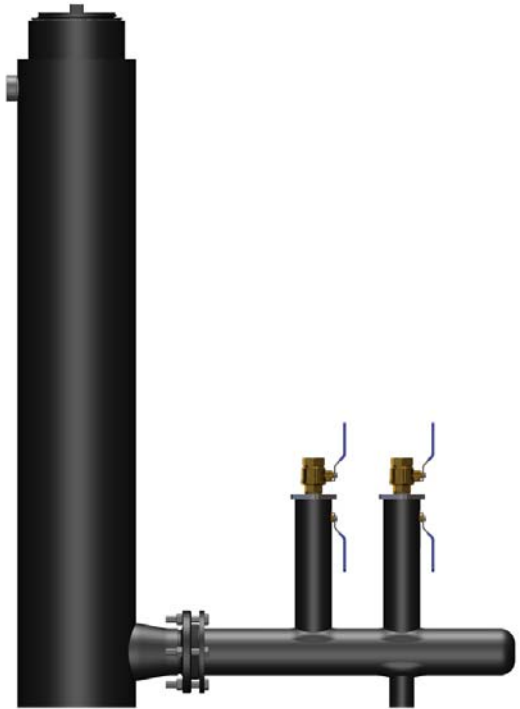


MULTIZONE PRODUCT INFORMATION

CFCB2000-3GX2

Multizone "B" Tank
 (2" Stainless MPT Inlet Standard)
 Includes 2 Circuit Outlet Manifold
 Ball Valves & Hardware Included
 2 Circuits - No Pumps



NOTE: Multizone image above is of actual product after field assembly.

Dimensional Data

NOTE: Multizone image below is shown without pumps for dimensional reference only.

