



**B&D**  
**MFG, INC.®**

**ALL THE “PUMP” YOU NEED AND MORE!**

# **GEO THERMAL MASTER PRICE LIST**

**June 2021 Price List  
Volume 8 Full Line Product Catalog**



INNOVATORS IN GEOTHERMAL TECHNOLOGY

# Sign-Up Today for Online Pricing

**GET YOUR QUOTES FASTER WITH INSTANT PRICING  
AT YOUR FINGER TIPS**

- 24/7 ACCESS TO THE MOST CURRENT PRICING (PRINTABLE & VIEWABLE )
- YOUR OWN PERSONAL PASSWORD FOR BETTER ONLINE SECURITY FOR YOU & YOUR COMPANY
- SEARCH BY PARTIAL OR COMPLETE PART #  
(RESULTS SHOW PART NUMBER, DESCRIPTION, LIST PRICE & DISTRIBUTOR PRICE)
- STILL ONLY A PHONE CALL AWAY TO QUOTE YOUR FAB ITEMS

**VISIT OUR WEBSITE AT [WWW.BDMFGINC.COM](http://WWW.BDMFGINC.COM)  
AND REQUEST A LOGIN**



**NOW SHIPPING FROM 2 LOCATIONS IN THE U.S.**

**SCRANTON, IA**

**SYRACUSE, NY**



# TABLE OF CONTENTS

Online Sign-up Information.....	2
Non-Pressurized Flow Centers (Residential & Commercial).....	4-7
Pressurized Flow Centers.....	8
HSS Buffer Tank.....	9
HSS Control Panel.....	10
Rotational Control Panel.....	10
HSS Hydronic Air Handlers.....	11-13
Multizone Flow Centers.....	14
Smart Pump Multizone .....	15
Flush Carts & Accessories.....	16
Pumps.....	16
HSS Replacement Parts .....	16
Flow Meter Tool, Flowmeters.....	16-17
MSA's, PT Plugs, Hose Kits.....	17
Brass Fittings.....	17
Glycol Tester.....	17-18
Geothermal Valves, Regulator Valves.....	18
Poly-Roller.....	18
Underground Tape.....	18
Socket Fusion Couplings, Elbows, Tees, Caps, Reducer Bushings.....	18-20
U-Bends, U-Do Elbows, Male Adapters.....	20
Female Adapters, Tees & Couplings w/ Female Adapters.....	20
Male Elbows, Ball Valve Assembly.....	20
Flush Valves.....	21
Butt Fusion- Reducers, Male Adapters, Tees, Caps, Elbows.....	21-22
Molded & Fabricated Tees.....	22-23
Butt Fusion Flange Adapters, Back-up Rings.....	23
Butterfly Valves.....	23
MJ Adapters, MJ Kits.....	24
Service Saddles, Branch Saddles.....	24-25
Electrofusion- Couplings, Elbow, Branch Saddles.....	25-27
Polyball Valves.....	27
Brass Ball Valves, Union Ball Valves.....	27
Compression Fittings, Test Caps.....	27-28
Headers-Parallel & Alt, Header Kits.....	28-29
PVC Manifolds, PE Manifolds.....	29-30
Socket Fusion Tools.....	30
Butt Fusion Machines.....	30-31
Electrofusion Machines & Accessories.....	31
Company Contact Information.....	Back Page

## FREIGHT ALLOWANCE SYMBOLS

(\*) LABELED ITEMS IN THIS PRICE BOOK COUNT TOWARDS NET FREIGHT TERMS SHOWN ON MULTLIER SHEET.

(†) LABELED ITEMS IN THIS PRICE BOOK COUNT TOWARDS NET FREIGHT TERMS SHOWN ON MULTLIER SHEET.

(‡) LABELED ITEMS IN THIS PRICE BOOK COUNT TOWARDS FLOW CENTER FREIGHT TERMS SHOWN ON MULTLIER SHEET.

# NON-PRESSURIZED FLOW CENTERS

## February 2021 Price Sheet



**KT Flow Center** – The “Knocked – Down” Cost Effective Solution (Field Assembly Required)

Part Number	# of Pump	Voltage	Amps (HI Spd)	HP (ea.)	Inlet*/Outlet Size	Ht. (in.)	Width (in.)	Depth (in.)	Wgt.	List Price	Freight Allowance
0-230KFCSS	0	-	-	-	1-1/4" FPT	42	6 1/2	18	28	\$1680	‡
3-230KFCSS-G	3	230	2.7	1/6	1-1/4" FPT	42	6 1/2	18	35	\$2400	‡
3-230KFCSS-M	3	230	5.25	1/6	1-1/4" FPT	42	6 1/2	18	35	\$2400	‡

\*Comes with Brass Union.

Model Number Letter (G=Grundfos 26-99-3 Speed)

(M=Grundfos 26-116F Single Speed)

**GT® Flow Center** - The Industry Standard Solution

Part Number	# of Pump	Voltage	Amps (HI Spd)	HP (ea.)	Inlet*/Outlet Size	Ht. (in.)	Width (in.)	Depth (in.)	Wgt.	List Price	Freight Allowance
NPFC-SS	0	-	-	-	1" FPT	34	6 1/2	15 1/2	28	\$1050	‡

\*Comes with Brass Union.



**GT® Flow Center** - The Industry Standard Solution

Part Number	# of Pump	Voltage	Amps (HI Spd)	HP (ea.)	Inlet*/Outlet Size	Ht. (in.)	Width (in.)	Depth (in.)	Wgt.	List Price	Freight Allowance
1-230PFC-SS-G	1	230	.90	1/6	1" FPT	34	6 1/2	15 1/2	40	\$1420	‡
1-230PFC-SS-M	1	230	1.75	1/6	1" FPT	34	6 1/2	15 1/2	40	\$1420	‡

\*Comes with Brass Union.

Model Number Letter (G=Grundfos 26-99-3 Speed)

(M=Grundfos 26-116F Single Speed)



**GT® Flow Center** - The Industry Standard Solution

Part Number	# of Pump	Voltage	Amps (HI Spd)	HP (ea.)	Inlet*/Outlet Size	Ht. (in.)	Width (in.)	Depth (in.)	Wgt.	List Price	Freight Allowance
2-230PFC-SS-G	2	230	1.8	1/6	1" FPT	34	6 1/2	15 1/2	53	\$1725	‡
2-230PFC-SS-M	2	230	3.5	1/6	1" FPT	34	6 1/2	15 1/2	53	\$1725	‡

\*Comes with Brass Union.

Model Number Letter (G=Grundfos 26-99-3 Speed)

(M=Grundfos 26-116F Single Speed)



# NON-PRESSURIZED FLOW CENTERS

## February 2021 Price Sheet



**QT® Flow Center** – The Premium Choice for the Refined Customer

Part Number	# of Pump	Voltage	Amps (HI Spd)	HP (ea.)	Inlet/Outlet (FPT)	Ht. (in.)	Width (in.)	Depth (in.)	Wgt.	List Price	Freight Allowance
1-230QFC-G	1	230	.90	1/6	1" Swivel	34	7.5	14 3/4	40	\$1510	‡
1-230QFC-M	1	230	1.75	1/6	1" Swivel	34	7.5	14 3/4	40	\$1510	‡

Model Number Letter (G=Grundfos 26-99-3 Speed)

(M=Grundfos 26-116F Single Speed)



**QT® Flow Center** – The Premium Choice for the Refined Customer

Part Number	# of Pump	Voltage	Amps (HI Spd)	HP (ea.)	Inlet/Outlet (FPT)	Ht. (in.)	Width (in.)	Depth (in.)	Wgt.	List Price	Freight Allowance
N02-230QFC	0	-	-	-	1" Swivel	34	7.5	14 3/4	34	\$1120	‡
2-230QFC-G	2	230	1.8	1/6	1" Swivel	34	7.5	14 3/4	53	\$1845	‡
2-230QFC-M	2	230	3.5	1/6	1" Swivel	34	7.5	14 3/4	53	\$1845	‡

Model Number Letter (G=Grundfos 26-99-3 Speed)

(M=Grundfos 26-116F Single Speed)

**XT Flow Center** - When Normal Pumping Isn't Enough

Part Number	# of Pump	Voltage	Amps (HI Spd)	HP (ea.)	Inlet/Outlet (FPT)	Ht. (in.)	Width (in.)	Depth (in.)	Wgt.	List Price	Freight Allowance
2-230XT-SS	2	230	3.4	1/6	1 1/4"	48 1/2	10	22 1/2	99	\$3275	‡

Grundfos 43-100F 3 Speed



# NON-PRESSURIZED FLOW CENTERS

## February 2021 Price Sheet



### EA® Series Stainless Steel– Special 2 Circuit Applications (Field Assembly Required)

Part Number	# of Pump	Voltage	Amps (HI Spd)	HP (ea.)	Inlet/Outlet Size MPT X FPT	Ht. (in.)	Width (in.)	Depth (in.)	Wgt.	List Price	Freight Allowance
0-0EA-SS-KFC	0	-	-	-	1-1/4" / 1-1/4"	42 1/2	9 1/4	21	41	\$1680	‡
1-1EA-SS-KFC-G	2	230	1.8	1/6	1-1/4" / 1-1/4"	42 1/2	9 1/4	21	61	\$2200	‡
1-1EA-SS-KFC-M	2	230	3.5	1/6	1-1/4" / 1-1/4"	42 1/2	9 1/4	21	61	\$2200	‡

Model Number Letter (G=Grundfos 26-99-3 Speed)

(M=Grundfos 26-116F Single Speed)

### EA® Series Stainless Steel– Special 2 Circuit Applications (Field Assembly Required)

Part Number	# of Pump	Voltage	Amps (HI Spd)	HP (ea.)	Inlet/Outlet Size MPT X FPT	Ht. (in.)	Width (in.)	Depth (in.)	Wgt.	List Price	Freight Allowance
2-1EA-SS-KFC-G	3	230	2.7	1/6	1-1/4" / 1-1/4"	42 1/2	9 1/4	21	72	\$2485	‡
2-1EA-SS-KFC-M	3	230	5.25	1/6	1-1/4" / 1-1/4"	42 1/2	9 1/4	21	72	\$2485	‡

Model Number Letter (G=Grundfos 26-99-3 Speed)

(M=Grundfos 26-116F Single Speed)



### EA® Series Stainless Steel– Special 2 Circuit Applications (Field Assembly Required)

Part Number	# of Pump	Voltage	Amps (HI Spd)	HP (ea.)	Inlet/Outlet Size MPT X FPT	Ht. (in.)	Width (in.)	Depth (in.)	Wgt.	List Price	Freight Allowance
2-2EA-SS-KFC-G	4	230	3.6	1/6	1-1/4" / 1-1/4"	42 1/2	9 1/4	21	83	\$2900	‡
2-2EA-SS-KFC-M	4	230	7.0	1/6	1-1/4" / 1-1/4"	42 1/2	9 1/4	21	83	\$2900	‡

Model Number Letter (G=Grundfos 26-99-3 Speed)

(M=Grundfos 26-116F Single Speed)



# NON-PRESSURIZED FLOW CENTERS

## February 2021 Price Sheet



### QT® - EA Flow Center – The Premium Choice for the Refined Customer

Part Number	# of Pump	Voltage	Amps (HI Spd)	HP (ea.)	Inlet*/Outlet Size	Ht. (in.)	Width (in.)	Depth (in.)	Wgt.	List Price	Freight Allowance
0-0EA-SS-230QFC	0	-	-	-	1-1/4"	43 1/2	21 1/2	14	87	\$2195	‡
1-1EA-SS-230QFC-G	2	230	1.8	1/6	1-1/4"	43 1/2	21 1/2	14	87	\$2925	‡
1-1EA-SS-230QFC-M	2	230	3.5	1/6	1-1/4"	43 1/2	21 1/2	14	87	\$2925	‡

\*Comes with Brass Union.

Model Number Letter (G=Grundfos 26-99-3 Speed)

(M=Grundfos 26-116F Single Speed)

### QT® - EA Flow Center – The Premium Choice for the Refined Customer

Part Number	# of Pump	Voltage	Amps (HI Spd)	HP (ea.)	Inlet*/Outlet Size	Ht. (in.)	Width (in.)	Depth (in.)	Wgt.	List Price	Freight Allowance
2-1EA-SS-230QFC-G	3	230	2.7	1/6	1-1/4"	43 1/2	21 1/2	14	92	\$3150	‡
2-1EA-SS-230QFC-M	3	230	5.25	1/6	1-1/4"	43 1/2	21 1/2	14	92	\$3150	‡

\*Comes with Brass Union.

Model Number Letter (G=Grundfos 26-99-3 Speed)

(M=Grundfos 26-116F Single Speed)



### QT® - EA Flow Center – The Premium Choice for the Refined Customer

Part Number	# of Pump	Voltage	Amps (HI Spd)	HP (ea.)	Inlet*/Outlet Size	Ht. (in.)	Width (in.)	Depth (in.)	Wgt.	List Price	Freight Allowance
2-2EA-SS-230QFC-G	4	230	3.6	1/6	1-1/4"	43 1/2	21 1/2	14	98	\$3500	‡
2-2EA-SS-230QFC-M	4	230	7.0	1/6	1-1/4"	43 1/2	21 1/2	14	98	\$3500	‡

\*Comes with Brass Union.

Model Number Letter (G=Grundfos 26-99-3 Speed)

(M=Grundfos 26-116F Single Speed)

# PRESSURIZED FLOW CENTERS

## February 2021 Price Sheet



### B&D Pressurized Operating System (1 Pump)

Part Number	# of Pump	Voltage	Amps (HI Spd)	HP (ea.)	Inlet/Outlet (FPT)	Ht. (in.)	Width (in.)	Depth (in.)	Wgt.	List Price	Freight Allowance
1-230POS-G	1	230	.90	1/6	1" Swivel	12 1/2	8	12 1/2	29	\$1185	‡
1-230POS-M	1	230	1.75	1/6	1" Swivel	12 1/2	8	12 1/2	29	\$1185	‡

Model Number Letter Model Number Letter (G=Grundfos 26-99-3 Speed) (M=Grundfos 26-116F Single Speed)



### B&D Pressurized Operating System (2 Pump)

Part Number	# of Pump	Voltage	Amps (HI Spd)	HP (ea.)	Inlet/Outlet (FPT)	Ht. (in.)	Width (in.)	Depth (in.)	Wgt.	List Price	Freight Allowance
2-230POS-G	2	230	1.8	1/6	1" Swivel	12 1/2	8	12 1/2	37	\$1560	‡
2-230POS-M	2	230	3.5	1/6	1" Swivel	12 1/2	8	12 1/2	37	\$1560	‡

Model Number Letter Model Number Letter (G=Grundfos 26-99-3 Speed) (M=Grundfos 26-116F Single Speed)



# HSS® BUFFER TANK

## Current Program 2021 HSS® Buffer Tank Program

**HSS® Buffer Tank Pricing Table**

TANK SIZE	Tank Price	Hydronic 15/58F 115V Circuit	Hydronic 26/99/3 115V Circuit	Hydronic No Pump Circuit	Water/Water 26/99 Pump 230V Circuit	Water/Water 26/116 Pump 230V Circuit	Water/Water 43/100 Pump 230V Circuit	Water/Water 15/58 Pump 115V Circuit	Water/Water 26/99 Pump 115V Circuit	Water/Water No Pump Circuit	2 Stage Temp Controller	Main Pump Control *
12	\$1940	\$800	\$920	\$670	\$685	\$685	\$995	\$545	\$685	\$375	\$322	\$765
20	\$2045	\$800	\$920	\$670	\$685	\$685	\$995	\$545	\$685	\$375	\$322	\$765
30	\$2295	\$800	\$920	\$670	\$685	\$685	\$995	\$545	\$685	\$375	\$322	\$765
40	\$2675	\$800	\$920	\$670	\$685	\$685	\$995	\$545	\$685	\$375	\$322	\$765
60	\$3470	\$800	\$920	\$670	\$685	\$685	\$995	\$545	\$685	\$375	\$322	\$765
80	\$3855	\$800	\$920	\$670	\$685	\$685	\$995	\$545	\$685	\$375	\$322	\$765

### HSS® Buffer Tank Details

- Non-Pressurized Stainless Steel Buffer Tank.
- Water Temp not to exceed 150 Degree Max.
- Designed for 6 to 10 gallons per ton of buffer volume.
- Available in Heating Only or Heat/Cool applications

\*Price above good for up to 6 heating circuits

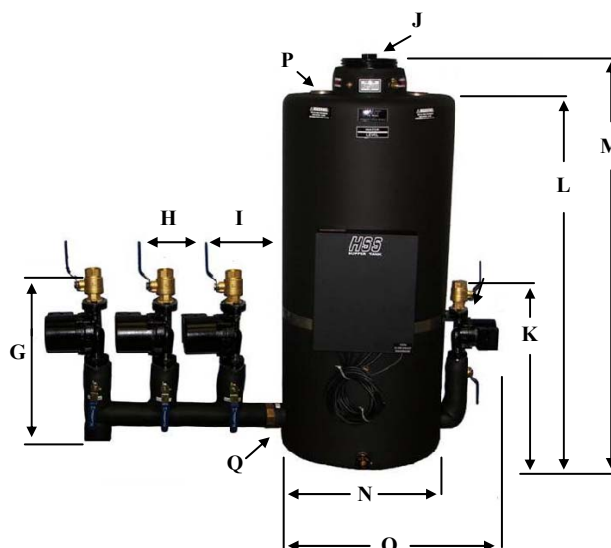
\*More then 6 circuits add another pump controller

**(Pump selection is based on flow and ft of head per circuit. )**

- Hydronic Side Pump Options (115V) Pump Insulators Sold Separately
  - Grundfos 15-58 (3 Speed) 3/4" Ball Valve Hardware Provided
  - Grundfos 26-99 (3 Speed) 1" Ball Valve Hardware Provided
- Water/Water Side Options (230V) Pump Insulators Sold Separately
  - Grundfos 43-100 (3 Speed) 1-1/4" Ball Valve Hardware Provided
  - Grundfos 26-99 (3 Speed) 1-1/4" Ball Valve Hardware Provided
  - Grundfos 26-116 (Single Speed) 1-1/4" Ball Valve Hardware Provided

**(For Backup Boiler Option on Water/Water Side)**

- Water/Water Side Options (115V) Pump Insulators Included
  - Grundfos 15-58 (3 Speed) 3/4" Ball Valve Hardware Provided
  - Grundfos 26-99 (3 Speed) 1" Ball Valve Hardware Provided



**Call for HSS® Buffer Tank Build Sheet & Configuration Help**

**HSS® Buffer Tank Dimensions (in.)\***

Max Gallon Storage	Max Hydronic Circuits	Max Water/Water Circuits	G	H	I	J	K	L	M	N	O	P	Q	Wt Tank
12	3	1	21"	7 1/2"	7"	9"	24"	49"	57 1/2"	10"	17"	1-1/4" MPT	2" Union	30#
20	6	2	21"	7 1/2"	7"	9"	24"	49"	57 1/2"	13"	20"	1-1/4" MPT	2" Union	38#
30	9	3	21"	7 1/2"	7"	9"	24"	49"	54"	16"	23"	1 1/2" FPT	2" Union	52#
40	12	3	21"	7 1/2"	7"	9"	24"	49"	54"	18"	25"	2" FPT	2" Union	60#
60	12	4	21"	7 1/2"	7"	9"	24"	49"	54"	22"	29"	2" FPT	2" Union	84#
80	12	4	21"	7 1/2"	7"	9"	24"	49"	54"	25"	31"	2" FPT	2" Union	97#

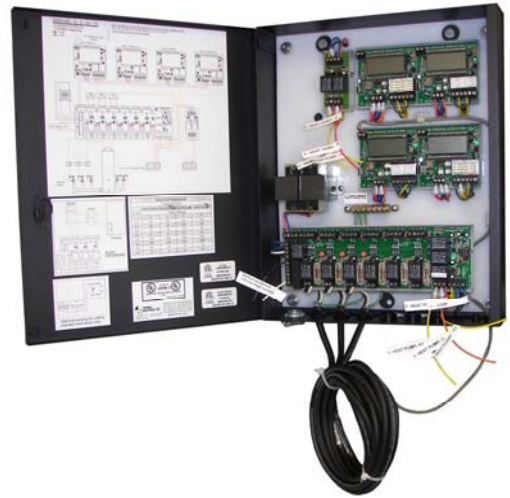
\* Dimensions are approximate

# HSS® CONTROL PANEL

Need just controls? We got you covered! The HSS Controls are available without a Tank purchase

## Rotational Control Panel Details

- 1 Control package connects up to 4 devices
- Pre-wired to accommodate 2, 3 or 4 equipment applications
- Easy adjustment for rotating operation of 2, 3 or 4 devices
- Field adjustable settings for Dual-Stage time delay
- Easy-to-Mount for added location flexibility
- Control Box Dimensions 15" H x 12" W x 3" D
- Easy to install on pre-existing HSS Buffer Tank System
- B&D Designed Controls wiring decal provided with all units



Call B&D for your custom part#

**Call for HSS® Control Panel Build Sheet & Configuration Help**

## ROTATIONAL CONTROL PANEL

Increase the functionality of your entire system by incorporating rotational start of equipment!

**Great for Existing Systems or New Installations**

### Rotational Control Panel Details

- 1 Control package connects up to 4 devices
- Pre-wired to accommodate 2, 3 or 4 equipment applications
- Easy adjustment for rotating operation of 2, 3 or 4 devices
- Field adjustable settings for Dual-Stage time delay
- Easy-to-Mount for added location flexibility
- Control Box Dimensions 15" H x 12" W x 3" D
- Easy to install on pre-existing HSS Buffer Tank System
- B&D Designed Controls wiring decal provided with all units



**B&D PART# BDCB-RC4HP**

**Call for Current Rotational Control Panel Price**

# HSS® HYDRONIC AIR HANDLER

## February 2021 Price Sheet

### 1 Ton Units



Left Side Return / Up Flow Configuration Shown

APPROX WT (LBS)	DIMENSIONS
100	23"W x 24"H x 28"D

MODEL #	DESCRIPTION	LIST PRICE
BDAH-01E0500-1AH	1 TON HORIZONTAL / LEFT RETURN / NO BACKUP HEAT	\$2475
BDAH-01E0500-1BH	1 TON HORIZONTAL / RIGHT RETURN / NO BACKUP HEAT	\$2475

MODEL #	DESCRIPTION	LIST PRICE
BDAH-01E0500-1AU	1 TON UP FLOW / LEFT RETURN / NO BACKUP HEAT	\$2475
BDAH-01E0500-1BU	1 TON UP FLOW / RIGHT RETURN / NO BACKUP HEAT	\$2475
BDAH-01E0503-1AU	1 TON UP FLOW / LEFT RETURN / 3KW BACKUP HEAT	\$2600
BDAH-01E0503-1BU	1 TON UP FLOW / RIGHT RETURN / 3KW BACKUP HEAT	\$2600

MODEL #	DESCRIPTION	LIST PRICE
BDAH-01E0500-1AD	1 TON DOWN FLOW / LEFT RETURN / NO BACKUP HEAT	\$2475
BDAH-01E0500-1BD	1 TON DOWN FLOW / RIGHT RETURN / NO BACKUP HEAT	\$2475
BDAH-01E0503-1AD	1 TON DOWN FLOW / LEFT RETURN / 3KW BACKUP HEAT	\$2600
BDAH-01E0503-1BD	1 TON DOWN FLOW / RIGHT RETURN / 3KW BACKUP HEAT	\$2600

### 2 Ton Units



Left Side Return / Up Flow Configuration Shown

APPROX WT (LBS)	DIMENSIONS
105	23"W x 24"H x 28"D

MODEL #	DESCRIPTION	LIST PRICE
BDAH-02E0900-1AH	2 TON HORIZONTAL / LEFT RETURN / NO BACKUP HEAT	\$2675
BDAH-02E0900-1BH	2 TON HORIZONTAL / RIGHT RETURN / NO BACKUP HEAT	\$2675

MODEL #	DESCRIPTION	LIST PRICE
BDAH-02E0900-1AU	2 TON UP FLOW / LEFT RETURN / NO BACKUP HEAT	\$2675
BDAH-02E0900-1BU	2 TON UP FLOW / RIGHT RETURN / NO BACKUP HEAT	\$2675
BDAH-02E0905-1AU	2 TON UP FLOW / LEFT RETURN / 5KW BACKUP HEAT	\$2775
BDAH-02E0905-1BU	2 TON UP FLOW / RIGHT RETURN / 5KW BACKUP HEAT	\$2775

MODEL #	DESCRIPTION	LIST PRICE
BDAH-02E0900-1AD	2 TON DOWN FLOW / LEFT RETURN / NO BACKUP HEAT	\$2675
BDAH-02E0900-1BD	2 TON DOWN FLOW / RIGHT RETURN / NO BACKUP HEAT	\$2675
BDAH-02E0905-1AD	2 TON DOWN FLOW / LEFT RETURN / 5KW BACKUP HEAT	\$2775
BDAH-02E0905-1BD	2 TON DOWN FLOW / RIGHT RETURN / 5KW BACKUP HEAT	\$2775

### 1 & 2 Ton HSS® AIR HANDLER MODEL NUMBER INFORMATION

<b>BDAH-</b>	<b>E</b>			<b>-</b>	<b>1</b>	<b>A</b>	<b>U</b>
<b>TONNAGE</b> 01 = 1 TON 02 = 2 TON	<b>MOTOR TYPE</b> E = ECM	<b>CFM</b> 05 = 500CFM 1 TON 09 = 950CFM 2 TON	<b>KW</b> 00 = None 03 = 3KW 05 = 5KW	<b>VOLTAGE</b> 1 = 240V / 208V 60Hz / 1Phase	<b>LEFT/RIGHT RETURN CONFIGURATION</b> A = Left (Standard) B = Right	<b>Air Flow Direction Configuration</b> U = Up flow (Standard) D = Down flow H = Horizontal	
			<b>MAX KW / UNIT</b> 1 TON - 3KW 2 TON - 5KW		<b>NOTE: THIS IS THE SIDE THE FILTER WILL BE LOCATED ON.</b>		

NOTE: BACK-UP HEAT NOT AVAILABLE ON HORIZONTAL FLOW CONFIGURATION

# HSS® HYDRONIC AIR HANDLER

## February 2021 Price Sheet

### 3 Ton Units



Left Side Return / Up Flow Configuration Shown

APPROX WT (LBS)	DIMENSIONS
136	28"W x 30"H x 31"D

MODEL #	DESCRIPTION	LIST PRICE
BDAH-03E1300-1AH	3 TON HORIZONTAL / LEFT RETURN / NO BACKUP HEAT	\$3000
BDAH-03E1300-1BH	3 TON HORIZONTAL / RIGHT RETURN / NO BACKUP HEAT	\$3000

MODEL #	DESCRIPTION	LIST PRICE
BDAH-03E1300-1AU	3 TON UP FLOW / LEFT RETURN / NO BACKUP HEAT	\$3000
BDAH-03E1300-1BU	3 TON UP FLOW / RIGHT RETURN / NO BACKUP HEAT	\$3000
BDAH-03E1310-1AU	3 TON UP FLOW / LEFT RETURN / 10KW BACKUP HEAT	\$3175
BDAH-03E1310-1BU	3 TON UP FLOW / RIGHT RETURN / 10KW BACKUP HEAT	\$3175

MODEL #	DESCRIPTION	LIST PRICE
BDAH-03E1300-1AD	3 TON DOWN FLOW / LEFT RETURN / NO BACKUP HEAT	\$3000
BDAH-03E1300-1BD	3 TON DOWN FLOW / RIGHT RETURN / NO BACKUP HEAT	\$3000
BDAH-03E1310-1AD	3 TON DOWN FLOW / LEFT RETURN / 10KW BACKUP HEAT	\$3175
BDAH-03E1310-1BD	3 TON DOWN FLOW / RIGHT RETURN / 10KW BACKUP HEAT	\$3175

### 4 Ton Units



Left Side Return / Up Flow Configuration Shown

APPROX WT (LBS)	DIMENSIONS
146	28"W x 30"H x 31"D

MODEL #	DESCRIPTION	LIST PRICE
BDAH-04E1700-1AH	4 TON HORIZONTAL / LEFT RETURN / NO BACKUP HEAT	\$3375
BDAH-04E1700-1BH	4 TON HORIZONTAL / RIGHT RETURN / NO BACKUP HEAT	\$3375

MODEL #	DESCRIPTION	LIST PRICE
BDAH-04E1700-1AU	4 TON UP FLOW / LEFT RETURN / NO BACKUP HEAT	\$3375
BDAH-04E1700-1BU	4 TON UP FLOW / RIGHT RETURN / NO BACKUP HEAT	\$3375
BDAH-04E1710-1AU	4 TON UP FLOW / LEFT RETURN / 10KW BACKUP HEAT	\$3500
BDAH-04E1710-1BU	4 TON UP FLOW / RIGHT RETURN / 10KW BACKUP HEAT	\$3500
BDAH-04E1715-1AU	4 TON UP FLOW / LEFT RETURN / 15KW BACKUP HEAT	\$3625
BDAH-04E1715-1BU	4 TON UP FLOW / RIGHT RETURN / 15KW BACKUP HEAT	\$3625

MODEL #	DESCRIPTION	LIST PRICE
BDAH-04E1700-1AD	4 TON DOWN FLOW / LEFT RETURN / NO BACKUP HEAT	\$3375
BDAH-04E1700-1BD	4 TON DOWN FLOW / RIGHT RETURN / NO BACKUP HEAT	\$3375
BDAH-04E1710-1AD	4 TON DOWN FLOW / LEFT RETURN / 10KW BACKUP HEAT	\$3500
BDAH-04E1710-1BD	4 TON DOWN FLOW / RIGHT RETURN / 10KW BACKUP HEAT	\$3500
BDAH-04E1715-1AD	4 TON DOWN FLOW / LEFT RETURN / 15KW BACKUP HEAT	\$3625
BDAH-04E1715-1BD	4 TON DOWN FLOW / RIGHT RETURN / 15KW BACKUP HEAT	\$3625

### 3 & 4 Ton HSS® AIR HANDLER MODEL NUMBER INFORMATION

<b>BDAH-</b>	<b>E</b>			<b>-</b>	<b>1</b>	<b>A</b>	<b>U</b>
<b>TONNAGE</b> 03 = 3 TON 04 = 4 TON	<b>MOTOR TYPE</b> E = ECM	<b>CFM</b> 13 = 1350CFM 3 TON 17 = 1750CFM 4 TON	<b>KW</b> 00 = None 10 = 10KW 15 = 15KW	<b>VOLTAGE</b> 1 = 240V / 208V 60Hz / 1Phase	<b>LEFT/RIGHT RETURN CONFIGURATION</b> A = Left (Standard) B = Right	<b>Air Flow Direction Configuration</b> U = Up flow (Standard) D = Down flow H = Horizontal	<b>NOTE: THIS IS THE SIDE THE FILTER WILL BE LOCATED ON.</b>
			<b>MAX KW / UNIT</b> 3 TON - 10KW 4 TON - 10KW or 15KW				

NOTE: BACK-UP HEAT NOT AVAILABLE ON HORIZONTAL FLOW CONFIGURATION

# HSS® HYDRONIC AIR HANDLER

## February 2021 Price Sheet

### 5 Ton Units



Left Side Return / Up Flow Configuration Shown

MODEL #	DESCRIPTION	LIST PRICE
BDAH-05E2100-1AH	5 TON HORIZONTAL / LEFT RETURN / NO BACKUP HEAT	\$3475
BDAH-05E2100-1BH	5 TON HORIZONTAL / RIGHT RETURN / NO BACKUP HEAT	\$3475

MODEL #	DESCRIPTION	LIST PRICE
BDAH-05E2100-1AU	5 TON UP FLOW / LEFT RETURN / NO BACKUP HEAT	\$3475
BDAH-05E2100-1BU	5 TON UP FLOW / RIGHT RETURN / NO BACKUP HEAT	\$3475
BDAH-05E2110-1AU	5 TON UP FLOW / LEFT RETURN / 10KW BACKUP HEAT	\$3700
BDAH-05E2110-1BU	5 TON UP FLOW / RIGHT RETURN / 10KW BACKUP HEAT	\$3700
BDAH-05E2115-1AU	5 TON UP FLOW / LEFT RETURN / 15KW BACKUP HEAT	\$3825
BDAH-05E2115-1BU	5 TON UP FLOW / RIGHT RETURN / 15KW BACKUP HEAT	\$3825

MODEL #	DESCRIPTION	LIST PRICE
BDAH-05E2100-1AD	5 TON DOWN FLOW / LEFT RETURN / NO BACKUP HEAT	\$3475
BDAH-05E2100-1BD	5 TON DOWN FLOW / RIGHT RETURN / NO BACKUP HEAT	\$3475
BDAH-05E2110-1AD	5 TON DOWN FLOW / LEFT RETURN / 10KW BACKUP HEAT	\$3700
BDAH-05E2110-1BD	5 TON DOWN FLOW / RIGHT RETURN / 10KW BACKUP HEAT	\$3700
BDAH-05E2115-1AD	5 TON DOWN FLOW / LEFT RETURN / 15KW BACKUP HEAT	\$3825
BDAH-05E2115-1BD	5 TON DOWN FLOW / RIGHT RETURN / 15KW BACKUP HEAT	\$3825

APPROX WT (LBS)	DIMENSIONS
165	28"W x 30"H x 31"D

### 5 Ton HSS® AIR HANDLER MODEL NUMBER INFORMATION

<b>BDAH-</b>		<b>E</b>			<b>-</b>	<b>1</b>	<b>A</b>	<b>U</b>
<b>TONNAGE</b> 05 = 5 TON	<b>MOTOR TYPE</b> E = ECM	<b>CFM</b> 21 = 2150CFM 5 TON	<b>KW</b> 00 = None 10 = 10KW 15 = 15KW	<b>VOLTAGE</b> 1 = 240V / 208V 60Hz / 1Phase	<b>LEFT/RIGHT RETURN CONFIGURATION</b> A = Left (Standard) B = Right	<b>Air Flow Direction Configuration</b> U = Up flow (Standard) D = Down flow H = Horizontal	<b>NOTE: THIS IS THE SIDE THE FILTER WILL BE LOCATED ON.</b>	
			<b>MAX KW /UNIT</b> 5 TON - 10KW or 15KW					

NOTE: BACK-UP HEAT NOT AVAILABLE ON HORIZONTAL FLOW CONFIGURATION

### HSS® AIR HANDLER REPLACEMENT PARTS

Part Number	Size Description	List Price
B2-30T	24V-30 MIN AJUSTABLE TIME DELAY AIR HANDLER	CALL FOR PRICE
ZT-4X-60	4- CIRCUIT RELAY BOARD (AIR HANDLER)	CALL FOR PRICE
HCT-09D0K04164	208-240-1 Ph TRANSFORMER (AH TRANSFORMER)	CALL FOR PRICE
AH3KWHEAT-FAB	3KW HEAT STRIP ASSEMBLY	CALL FOR PRICE
AH5KWHEAT-FAB	5KW HEAT STRIP ASSEMBLY	CALL FOR PRICE
AH10KWHEAT-FAB	10KW HEAT STRIP ASSEMBLY	CALL FOR PRICE
AH15KWHEAT-FAB	15KW HEAT STRIP ASSEMBLY	CALL FOR PRICE
AIRFILTER22	1 x 18 x 22 AIR FILTER (MERV 8)	CALL FOR PRICE
AIRFILTER25	1 x 25 x 25 AIR FILTER (MERV 8)	CALL FOR PRICE
AHEM0003/1T	(1/3HP) 1 TON BLOWER MOTOR (FACTORY PROGRAMED)	CALL FOR PRICE
AHEM0003/2T	(1/3HP) 2 TON BLOWER MOTOR (FACTORY PROGRAMED)	CALL FOR PRICE
AHEM0005/3T	(1/2HP) 3 TON BLOWER MOTOR (FACTORY PROGRAMED)	CALL FOR PRICE
AHEM0005/4T	(1/2HP) 4 TON BLOWER MOTOR (FACTORY PROGRAMED)	CALL FOR PRICE
AHEM0010/5T	(1HP) 5 TON BLOWER MOTOR (FACTORY PROGRAMED)	CALL FOR PRICE
AHCOIL1T	1 TON AIR HANDLER COIL	CALL FOR PRICE
AHCOIL2T	2 TON AIR HANDLER COIL	CALL FOR PRICE
AHCOIL3T	3 TON AIR HANDLER COIL	CALL FOR PRICE
AHCOIL4T	4 TON AIR HANDLER COIL	CALL FOR PRICE
AHCOIL5T	5 TON AIR HANDLER COIL	CALL FOR PRICE

# MULTIZONE FLOW CENTER

February 2021 Price Sheet  
Call For Quote & Full Model Part Number

## Grundfos Pump Options Listed Below



### Multizone Flow Center

Tank Size	Tank Only Price	No Pump Per Circuit Price	Grundfos UP26/99 3 Speed	Grundfos UP26-116 Single Speed	Grundfos 43-100F 3 Speed
B-29-80 gpm*	\$1995.00	\$660.00	\$475.00	\$475.00	\$635.00
C-81-130 gpm**	\$2395.00	\$660.00	\$475.00	\$475.00	\$635.00

\* B-Model - (3 circuit header max & single pump only)

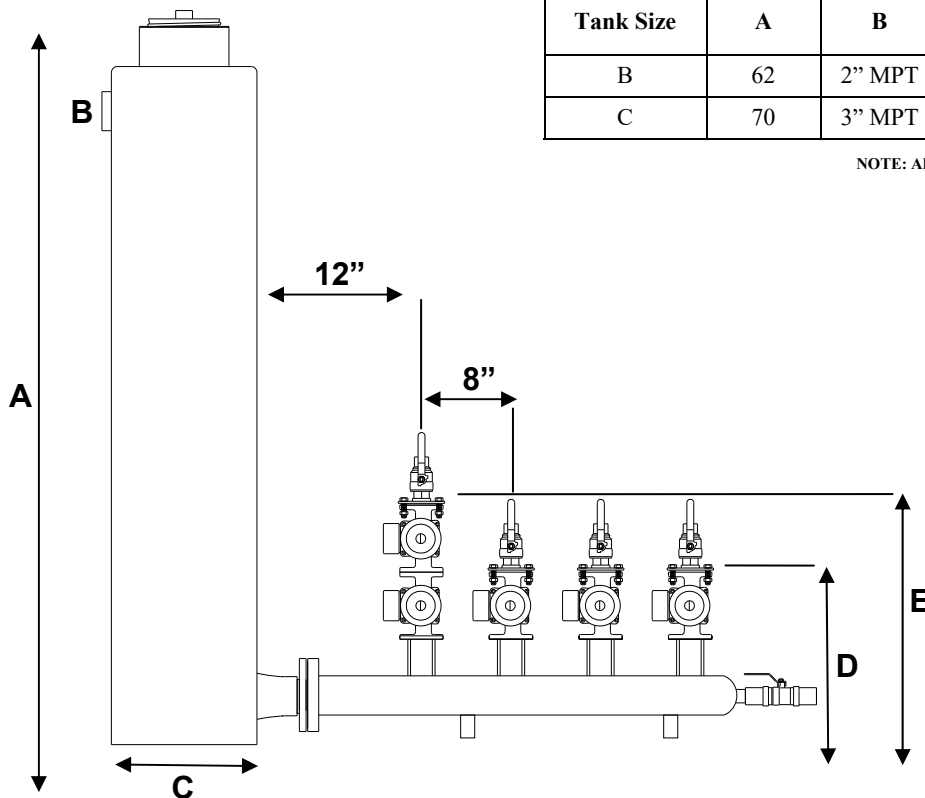
\*\* C-Model- (4 circuit header max)

Custom configurations are available, call for info.

### Multizone Flow Center Physical Dimensions (in.)

Tank Size	A	B	C	D	E	Volume (gal.)
B	62	2" MPT	10"	30"	36 1/2"	17.5
C	70	3" MPT	12"	32"	38 1/2"	20.8

NOTE: ALL MEASUREMENTS



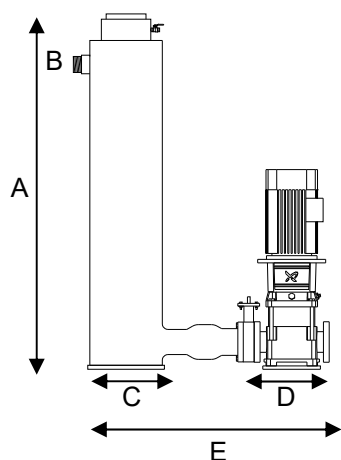
# SMART PUMP MULTIZONE

February 2021 Price Sheet



## Smart Pump Flow Selection (Single Pump)

Smart Pump Model#	B&D Part#	Tank Size	Volume (gal)	Motor Size	Normal GPM Flow	Normal Head Pressure	List Price
CR10-2	SPFC-B122-2-230-1	B	17.5	2HP	40-62	30-50	Call For Pricing
CR32-1-1	SPFC-C13T-3-230-1	C	20.8	3HP	60-120	40-60	Call For Pricing
CR32-1	SPFC-C13S-5-230-1	C	20.8	5HP	65-130	50-70	Call For Pricing
CR45-1-1	SPFC-D14T-5-230-1	D	29.5	5HP	130-180	50-70	Call For Pricing



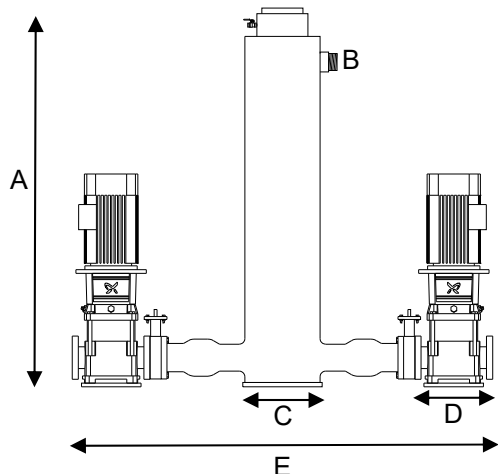
## Smart Pump Flow Dimensions (Single Pump)

Pump End	A	B	C	D	E
CR10-2	62"	2" MPT	10"	11 1/2"	38"
CR32-1-1	69"	3" MPT	12"	12 1/2"	39"
CR32-1	69"	3" MPT	12"	12 1/2"	39"
CR45-1-1	69"	4" MPT	14"	13"	41"

NOTE: ALL MEASUREMENTS ARE APPROXIMATE

## Smart Pump Flow Selection (Redundant Pump)

Smart Pump Model#	B&D Part#	Tank Size	Volume (gal)	Motor Size	Normal GPM Flow	Normal Head Pressure	List Price
CR10-2	SPFC-B222-2-230-2	B	17.5	2HP	40-62	30-50	Call For Pricing
CR32-1-1	SPFC-C23T-3-230-2	C	20.8	3HP	60-120	40-60	Call For Pricing
CR32-1	SPFC-C23S-5-230-2	C	20.8	5HP	65-130	50-70	Call For Pricing
CR45-1-1	SPFC-D24T-5-230-2	D	29.5	5HP	130-180	50-70	Call For Pricing



## Smart Pump Flow Dimensions (Redundant Pump)

Pump End	A	B	C	D	E
CR10-2	62"	2" MPT	12"	11 1/2"	66"
CR32-1-1	69"	3" MPT	12"	12 1/2"	69"
CR32-1	69"	3" MPT	12"	12 1/2"	69"
CR45-1-1	69"	4" MPT	14"	13"	69"

NOTE: ALL MEASUREMENTS ARE APPROXIMATE



Part Number	Size Description	List Price	Freight Allowance	Catalog Page #
WD17535	Digital Thermometer	\$35.66	*	21
B2-30T	30 Minute Adjustable Time (Air Handler)	\$95.31	*	21
ZT-4X-60	4 Circuit Relay Board (Air Handler)	\$118.75	*	21
HCT-09D0K04164	24V 50 VA 120V Transformer (Air Handler)	\$37.50		21
B3-6CR	Pump Controller Relay (Buffer Tank)	\$510.00	*	21
H2-2TC	2-Stage Elect Temp Controller (Buffer Tank)	\$331.25	*	21
2876710	24V 50 VA 120V Transformer (Buffer Tank)	\$50.00	*	21
ZT-12X-A	2 Circuit Relay Board (Buffer Tank)	\$50.44	*	21
BC6	Thermistor 6' Cable	\$48.21		21
740-0551	3 AMP Fuse	\$1.85	*	21
740-5189	1 AMP Fuse	\$2.06	*	21
GT304SS2	Stainless Steel 2 HP Purge Cart Complete w/1-1/4 Hose	Call For Price	†	22
2ST1G4F4	2 HP Centrif Pump 115/208-230/1Phase	Call For Price	†	22
GT304SS2HK10	Hose Kit For 2HP Flush Cart (2)10FT 1-1/4" Hoses	\$460.00	†	22
PC55S	1" Swivel X 1" Plug - Purge Cart Accessory	\$62.50	*	22
PC65S	1" Swivel X 1-1/4" Plug - Purge Cart Accessory	\$145.00	*	22
CAM65	1-1/4" Socket X 1" Plug Adapter	\$117.19	*	22
110223-324P	ASTRO 286, Black Coated 230V Single Speed Pump	\$370.00		-
G15-58F	15-58 Grundfos 115V 3 Speed Pump	\$246.67		25
G1-2699/3	26-99 Grundfos 115V 3 Speed Pump	\$564.36		25
G3-2699/3	26-99 Grundfos 230V 3 Speed Pump	\$563.67		25
G2-116F	26-116 Grundfos 230V 3 Speed Pump	\$548.01		25
G43-100F	43-100 Grundfos 230V 3 Speed Pump	\$640.00		25
525581	Grundfos Cover plate for 26-99 & 26-116	\$71.23		25
G591203	3/4" Grundfos Brass Flange Ball Valve w/ Handle (Sold Individually)	\$39.98		25
G591204	1" Grundfos Brass Flange Ball Valve w/ Handle (Sold Individually)	\$51.56		25
G591205	1-1/4" Grundfos Brass Flange Ball Valve w/ Handle (Sold Individually)	\$59.77		25
G510231	Grundfos Ball Valve Gasket (Flat 1-1/4)	\$11.00		25
G40403	Webstone Ball Valve Gasket (Flat 1-1/4)	Call For Price		25
G41405	1-1/4" Webstone Brass Flange Ball Valve W/ Handle (Sold Individually)	Call For Price		25
G81404HV	1" Propress by Flange Ball Valve	Call For Price		25
G81405HV	1-1/4" Propress by Flange Ball Valve	Call For Price		25
G81424HV	1" 3-Way Geo Ball Valve (Propress by Flange)	Call For Price		25
G81424HV-FAB	1" 3-Way Geo Ball Valve (Swivel Nut by Flange)	Call For Price		25
NRF36	Bell & Gossett NRF36 230V-E-Coated/3-Speed	\$478.85		25
G26-INS	Grundfos Foam Insulator Shell for 2699/116 Pumps	\$33.00		25
1WFT17	Flow Meter Tool ( 17 GAL) Includes Case	\$493.90	†	26
1WFT30R	Flow Meter Tool - (3-30 GAL) Without Case	\$1,156.25	†	26
1WFTC40	Flow Meter Tool - ( 40 GAL) Without Case	\$1,271.88	†	26
1FCW	Flow Center Wrench	\$30.06	*	26
F40750LN-12	Flow Meter (1-10 GPM 3/4" F/NPT)	\$496.99		27
F40750LN-16	Flow Meter (1-10 GPM 1" F/NPT)	\$496.99		27
F41000LN-12	Flow Meter (2-20 GPM, 3/4" F/NPT)	\$496.99		27
F41000LN-16	Flow Meter (2-20 GPM 1" F/NPT)	\$496.99		27
F451003LHN	Flow Meter (3-30 GPM, 1" FPT)	\$1,007.81		27
F451004LHN	Flow Meter (4-40 GPM, 1" FPT)	\$1,059.38		27
F452060LHN	Flow Meter (6 TO 60 GPM, 2" F/NPT)	\$1,712.35		27
MSA45	3/4" MPT X 1" Swivel Nut	\$20.30	*	28



Part Number	Size Description	List Price	Freight Allowance	Catalog Page #
MSA55-G	1" MPT X 1" Swivel Nut	\$26.46	*	28
N76-02	1/4" MPT P/T Plug	\$8.19	*	28
N78-02	1/2" MPT P/T Plug	\$12.37	*	28
GA80-01	1/16" S.S. Pressure Gauge Probe w/Cover	\$40.70	*	28
GA80-02	1/8" S.S. Pressure Gauge Probe w/Cover	\$40.70	*	28
GA80-03XL	1/8" S.S. Pressure Gauge Probe-Extended Length	\$48.56	*	28
WP060	Pressure Gauge (4" Gauge)	\$51.16	*	28
PGNL25-100-G	2-1/2" Pressure Gauge, Liquid Filled	\$20.23	*	28
HK3/4-1-10	3/4" X 1" X 10 Ft Closed Loop Hose Kit	\$245.00	*	29
HK3/4-1-12	3/4" X 1" x 12 Ft Closed Loop Hose Kit	\$255.00	*	29
HK1-10	1" X 10 Ft Closed Loop Hose Kit	\$235.50	*	29
HK1-12	1" X 12 Ft Closed Loop Hose Kit	\$251.45	*	29
HK1-1/4-12	1-1/4" X 12 Ft Closed Loop Hose Kit	\$356.25	*	29
HK-1-1-1/4-10	1" X 1-1/4" X 10 Ft Closed Loop Hose Kit	\$345.54	*	29
HK-1-1-1/4-12	1" X 1-1/4" X 12 Ft Closed Loop Hose Kit	\$369.64	*	29
HKWH01-200	1" Rubber Hose 200 PSI (Per Foot)	\$8.44		29
HKWH0125-150	1-1/4" Rubber Hose 150 PSI (Per Foot)	\$15.32		29
WS13053	Size 20, 3/4" 1-3/4" Clamp Diameter all Stainless Steel	\$3.59	*	29
RBFA100	1"FPT X 1" Barb Straight Adapter	Call For Price	*	30
RBMA75	3/4" MIP X 3/4" Barb Straight Adapter	Call For Price	*	30
CRBMA100	1" MIP X 1" Barb Straight Adapter	Call For Price	*	30
RBMA2510	1" MIP X 1-1/4" Barb Straight Adapter	Call For Price	*	30
CRBMA1025	1-1/4" MIP X 1" Barb Straight Adapter	Call For Price	*	30
CRBMA125	1-1/4" MIP X 1-1/4" Barb Straight Adapter	Call For Price	*	30
BRC1PE4	1" Brass Barb X 3/4" Fusion Coupling	Call For Price	*	30
BRC1PE5	1" Brass Barb X 1" Fusion Coupling	Call For Price	*	30
BRC1PE6	1" Brass Barb X 1-1/4" Fusion Coupling	Call For Price	*	30
BRC1PE7	1" Brass Barb X 1-1/2" Fusion Coupling	Call For Price	*	30
BRC125PE6	1 1/4" Brass Barb X 1-1/4" Fusion Coupling	Call For Price	*	30
BRC1PE8	1" Brass Barb X 2" Fusion Coupling	Call For Price	*	30
RGSE10725	3/4" MIP X 1" Barb Elbow w/PT Port	Call For Price	*	30
RGSE10025	1" MIP X 1" Barb Elbow w/PT Port	Call For Price	*	30
RGSE12525	1-1/4" MIP X 1-1/4" Barb Elbow w/PT Port	Call For Price	*	30
RBCP7510	3/4" Insert X 1" Insert Brass	Call For Price	*	30
RBCP100	1" Insert X 1" Insert Brass	Call For Price	*	30
RBCP1025	1" Insert X 1-1/4" Insert Brass	Call For Price	*	30
RBCP125	1-1/4" Insert X 1-1/4" Insert Brass	Call For Price	*	30
RBHE100	3/4" MIP X 1" Barb Elbow	Call For Price	*	30
RBHE1000	1" MIP X 1" Barb Elbow	Call For Price	*	30
RBHE1025	1" MIP X 1-1/4" Barb Elbow	Call For Price	*	30
RBHE125	1-1/4" MIP X 1-1/4" Barb Elbow	Call For Price	*	30
GT7084VP	Glycol Tester	\$881.02	†	31
WGC2F	2 Gallon Regulator Valve	\$87.09	*	31
WGC3F	3 Gallon Regulator Valve	\$87.09	*	31
WGC4F	4 Gallon Regulator Valve	\$87.09	*	31
WGC5F	5 Gallon Regulator Valve	\$87.09	*	31
WGC6F	6 Gallon Regulator Valve	\$87.09	*	31
WGC7F	7 Gallon Regulator Valve	\$87.09	*	31

Part Number	Size Description	List Price	Freight Allowance	Catalog Page #
WGC8F	8 Gallon Regulator Valve	\$87.09	*	31
WGC9F	9 Gallon Regulator Valve	\$87.09	*	31
WGC10F	10 Gallon Regulator Valve	\$87.09	*	31
WGC11.5F	11.5 Gallon Regulator Valve	\$87.09	*	31
WGX20F	20 Gallon Regulator Valve	\$180.38	*	31
T5101G-2	3/4" Threaded Geothermal Valve	\$358.93	†	32
T557-G3	1" SWT Geothermal Valve	\$380.36	†	32
T555-173RP	3/4" Geothermal Head for Valve	\$237.98	†	32
205TF	Threaded Plastic Solenoid Valve	\$137.43	†	33
Z100AAT2	Taco Zone Sentry Valve 1" NPT 2-Way 24V	\$293.68	†	33
Z075T2-1	Taco Zone Sentry Valve 3/4" NPT 2-Way 24V	\$246.43	†	33
V075T2G	3/4" NPT 2-Way Geo Sentry Geothermal Zone Valve	\$369.64	†	33
ELO42TC	3/4" Test Cap (3/4" X 1/4" FPT)	\$32.40	*	34,62
ELO52TC	1" Test Cap (1" X 1/4" FPT)	\$42.84	*	34,62
ELO62TC	1-1/4" Test Cap (1-1/4" X 1/4" FPT)	\$70.89	*	34,62
ELO72TC	1-1/2" Test Cap (1-1/2" X 1/4" FPT)	\$131.89	*	34,62
ELO82TC	2" Test Cap (2" X 1/4" FPT)	\$152.00	*	34,62
UGDT1000-2	2" X 1000 FT Underground Detectable Tape	\$82.80	*	34
UGDT1000-2-12C	2" X 1000 FT Underground Detectable Tape <b>(Case 12)</b>	\$828.00	*	34
UGDT1000-3	3" X 1000 FT Underground Detectable Tape	\$110.40	*	34
UGDT1000-3-6C	3" X 1000 FT Underground Detectable Tape <b>(Case 6)</b>	\$636.92	*	34
UGDT1000-6	6" X 1000 FT Underground Detectable Tape	\$209.30	*	34
UGDT1000-6-4C	6" X 1000 FT Underground Detectable Tape <b>(Case 4)</b>	\$776.25	*	34
BPE4-PVC4	3/4" SDR11 Butt Fusion X 3/4" SCH 80 PVC Transition	Call For Price	*	34
BPE5-PVC5	1" SDR11 Butt Fusion X 1" SCH 80 PVC Transition	Call For Price	*	34
BPE6-PVC6	1-1/4" SDR11 Butt Fusion X 1-1/4" SCH 80 PVC Transition	Call For Price	*	34
BPE8-PVC8	2" SDR11 Butt Fusion X 2" SCH 80 PVC Transition	Call For Price	*	34
BPE10-PVC10	3" SDR11 Butt Fusion X 3" SCH 80 PVC Transition	Call For Price	*	34
BPE11-PVC11	4" SDR11 Butt Fusion X 4" SCH 80 PVC Transition	Call For Price	*	34
KIT-AGV	Test Kit w/Gauge, Valve, Hose Hook-up	\$144.69	*	34
WPR	Poly-Pipe-Roller	\$1,776.00	*	35
SPC44	3/4" X 3/4" Fusion Coupling	\$3.00	*	36
SPC54	1" X 3/4" Fusion Coupling	\$8.40	*	36
SPC55	1" X 1" Fusion Coupling	\$3.35	*	36
SPC64	1-1/4" X 3/4" Fusion Coupling	\$10.50	*	36
SPC65	1-1/4" X 1" Fusion Coupling	\$9.63	*	36
SPC66SL	1-1/4" X 1-1/4" Fusion Coupling (Slim Line)	\$6.89	*	36
SPC66	1-1/4" X 1-1/4" Fusion Coupling	\$3.98	*	36
SPC74	1-1/2" X 3/4" Fusion Coupling	\$13.72	*	36
SPC75	1-1/2" X 1" Fusion Coupling	\$13.72	*	36
SPC76	1-1/2" X 1-1/4" Fusion Coupling	\$12.73	*	36
SPC77	1-1/2" X 1-1/2" Fusion Coupling	\$5.12	*	36
SPC85	2" X 1" Fusion Coupling	\$13.62	*	36
SPC86	2" X 1-1/4" Fusion Coupling	\$13.62	*	36
SPC87	2" X 1-1/2" Fusion Coupling	\$14.13	*	36
SPC88	2" X 2" Fusion Coupling	\$5.38	*	36
SPC88-HD	2" X 2" Fusion Coupling <b>(Heavy Duty Thickness)</b>	\$7.70	*	36
SPC1010	3" X 3" Fusion Coupling	\$18.10	*	36

Part Number	Size Description	List Price	Freight Allowance	Catalog Page #
SPE44	3/4" X 3/4" Fusion Elbow	\$4.25	*	37
SPE54	1" X 3/4" Fusion Elbow	\$6.40	*	37
SPE55	1" X 1" Fusion Elbow	\$4.85	*	37
SPE64	1-1/4" X 3/4" Fusion Elbow	\$6.65	*	37
SPE65	1-1/4" X 1" Fusion Elbow	\$6.65	*	37
SPE66	1-1/4" X 1-1/4" Fusion Elbow	\$6.93	*	37
SPE66-SL	1-1/4" X 1-1/4" Fusion Elbow (Slim Line)	\$7.86	*	37
SPE77	1-1/2" X 1-1/2" Fusion Elbow	\$10.45	*	37
SPE86	2" X 1-1/4" Fusion Elbow	\$21.58	*	37
SPE88	2" X 2" Fusion Elbow	\$16.86	*	37
SPE77-45	1-1/2" X 1-1/2" Fusion 45 Degree Elbow (Fab)	\$36.31	*	37
SPE55-45	1" X 1" Fusion 45 Degree Elbow	\$8.59	*	37
SPE66-45	1-1/4" X 1-1/4" Fusion 45 Degree Elbow	\$11.04	*	37
SPE88-45	2" X 2" Fusion 45 Degree Elbow	\$20.75	*	37
SPT444	3/4" X 3/4" X 3/4" Fusion Tee	\$5.25	*	38
SPT554	1" X 1" X 3/4" Fusion Tee	\$9.22	*	38
SPT555	1" X 1" X 1" Fusion Tee	\$6.85	*	38
SPT644	1-1/4" X 3/4" X 3/4" Fusion Tee	\$10.09	*	38
SPT655	1-1/4" X 1" X 1" Fusion Tee	\$10.09	*	38
SPT664	1-1/4" X 1-1/4" X 3/4" Fusion Tee	\$10.09	*	38
SPT665	1-1/4" X 1-1/4" X 1" Fusion Tee	\$10.09	*	38
SPT666	1-1/4" X 1-1/4" X 1-1/4" Fusion Tee	\$10.18	*	38
SPT744	1-1/2" X 3/4" X 3/4" Fusion Tee	\$25.95	*	38
SPT764	1-1/2" X 1-1/4" X 3/4" Fusion Tee	\$22.08	*	38
SPT765	1-1/2" X 1-1/4" X 1" Fusion Tee	\$22.08	*	38
SPT766	1-1/2" X 1-1/4" X 1-1/4" Fusion Tee	\$22.08	*	38
SPT774	1-1/2" X 1-1/2" X 3/4" Fusion Tee	\$22.08	*	38
SPT775	1-1/2" X 1-1/2" X 1" Fusion Tee	\$22.08	*	38
SPT776	1-1/2" X 1-1/2" X 1-1/4" Fusion Tee	\$22.08	*	38
SPT777	1-1/2" X 1-1/2" X 1-1/2" Fusion Tee	\$16.96	*	38
SPT864	2" X 1-1/4" X 3/4" Fusion Tee	\$24.02	*	38
SPT865	2" X 1-1/4" X 1" Fusion Tee	\$24.02	*	38
SPT866	2" X 1-1/4" X 1-1/4" Fusion Tee	\$23.21	*	38
SPT874	2" X 1-1/2" X 3/4" Fusion Tee	\$24.02	*	38
SPT875	2" X 1-1/2" X 1" Fusion Tee	\$24.02	*	38
SPT876	2" X 1-1/2" X 1-1/4" Fusion Tee	\$24.02	*	38
SPT884	2" X 2" X 3/4" Fusion Tee	\$23.21	*	38
SPT885	2" X 2" X 1" Fusion Tee	\$23.30	*	38
SPT886	2" X 2" X 1-1/4" Fusion Tee	\$23.20	*	38
SPT888	2" X 2" X 2" Fusion Tee	\$20.28	*	38
SPCP4	3/4" Socket Fusion Cap	\$4.33	*	39
SPCP5	1" Socket Fusion Cap	\$4.79	*	39
SPCP6	1-1/4" Socket Fusion Cap	\$5.80	*	39
SPCP7	1-1/2" Socket Fusion Cap	\$7.50	*	39
SPCP8	2" Socket Fusion Cap	\$7.38	*	39
SPRB64	1-1/4" X 3/4" Socket Fusion Reducer Bushing	\$7.38	*	39
SPRB65	1-1/2" X 1" Socket Fusion Reducer Bushing	\$7.54	*	39
SPRB74	1-1/2" X 3/4" Socket Fusion Reducer Bushing	\$8.04	*	39

Part Number	Size Description	List Price	Freight Allowance	Catalog Page #
SPRB75	1-1/2" X 1" Socket Fusion Reducer Bushing	\$8.15	*	39
SPRB76	1-1/2" X 1-1/4" Socket Fusion Reducer Bushing	\$8.20	*	39
SPRB84	2" X 3/4" Socket Fusion Reducer Bushing	\$10.18	*	39
SPRB85	2" X 1" Socket Fusion Reducer Bushing	\$10.39	*	39
SPRB86	2" X 1-1/4" Socket Fusion Reducer Bushing	\$10.66	*	39
SPRB87	2" X 1-1/2" Socket Fusion Reducer Bushing	\$10.66	*	39
SFUB4B	3/4" U-Bend Assembly	\$70.00	*	40
SFUB4BC	3/4" U-Bend w/ Coupling	\$78.75	*	40
SFUB5B	1" U-Bend Assembly	\$70.00	*	40
SFUB5BC	1" U-Bend w/ Coupling	\$78.75	*	40
SPEU44	3/4 Fusion U-Do Elbow	\$5.13	*	40
SPEU55	1" Fusion U-Do Elbow	\$6.49	*	40
SPEU-66F	1-1/4" U-Bend F-Elbow	\$9.47	*	40
SPEU-66M	1-1/4" U-Bend M-Elbow	\$9.47	*	40
SPMA44	3/4" Fusion X 3/4" Male Adapter	\$24.26	*	41
SPMA54	1" Fusion X 3/4" Male Adapter	\$27.08	*	41
SPMA55	1" Fusion X 1" Male Adapter	\$27.85	*	41
SPMA64	1-1/4" Fusion X 3/4" Male Adapter	\$27.56	*	41
SPMA65	1-1/4" Fusion X 1" Male Adapter	\$29.40	*	41
SPMA66	1-1/4" Fusion X 1-1/4" Male Adapter	\$53.74	*	41
SPMA77	1-1/2" Fusion X 1-1/2" Male Adapter	\$77.20	*	41
SPMA88	2" Fusion X 2" Male Adapter	\$83.50	*	41
SPFA44	3/4" X 3/4" Fusion Coupling Female Adapter	\$24.95	*	41
SPFA54	1" x 3/4" Fusion Coupling Female Adapter	\$24.99	*	41
SPFA55	1" X 1" Fusion Coupling Female Adapter	\$27.85	*	41
SPFA64	1-1/4" x 3/4" Fusion Coupling Female Adapter	\$27.56	*	41
SPFA65	1-1/4" x 1" Fusion Coupling Female Adapter	\$29.40	*	41
SPFA66	1-1/4" X 1-1/4" Fusion Coupling Female Adapter	\$53.74	*	41
SPFA77	1-1/2" X 1-1/2" Fusion Coupling Female Adapter	\$77.20	*	41
SPFA87	2" X 1-1/2" Fusion Coupling Female Adapter	\$77.20	*	41
SPFA88	2" X 2" Fusion Coupling Female Adapter	\$83.50	*	41
SPMT355	1/2" FPT X 1" MNT X 1" SKT	\$35.56	*	42
SPMT453	3/4" X 1" Fusion MPT H.P. Tee	\$32.67	*	42
SPMT553	1" X 1" Fusion MPT H.P. Tee	\$37.33	*	42
SPMT665S	1-1/4" Socket X 1-1/4" Socket X 1" MNT -w/Cap	Call For Price	*	42
SPST443	3/4" X 3/4" X 1/2" Fusion FPT	\$16.01	*	42
SPST553	1" X 1" X 1/2" Fusion X FPT	\$20.30	*	42
SPSC42	3/4" X 1/4" Fusion Coupling Female Adapter	\$19.46	*	42
SPSC43	3/4" X 1/2" Fusion Coupling Female Adapter	\$16.01	*	42
SPSC52	1" X 1/4" Fusion Coupling Female Adapter	\$16.43	*	42
SPSC53	1" X 1/2" Fusion Coupling Female Adapter	\$18.40	*	42
SPE-MA55	1" Fusion Elbow x 1" Male Adapter	\$31.97	*	42
SPE-MA66	1-1/4" Fusion Elbow x 1 1/4" Male Adapter	\$50.17	*	42
BPEV55	1" Valve Assembly w/ P.E. Pipe	\$113.63	*	43
BPEV66	1-1/4" Valve Assembly w/ P.E. Pipe	\$154.23	*	43
SPEV54C	1" Fusion Ball Valve w/ 3/4" Coupling	\$119.25	*	43
SPEV55C	1" Fusion Ball Valve w/ 1" Coupling	\$124.88	*	43
SPEV66C	1-1/4" Fusion Ball Valve w/ 1-1/4" Coupling	\$165.96	*	43

Part Number	Size Description	List Price	Freight Allowance	Catalog Page #
SPME45S	3/4" X 1" Fusion MNT Elbow	\$21.51	*	43
SPME55S	1" X 1" Fusion MNT Elbow	\$22.54	*	43
SPMC45S	3/4" X 1" Fusion MNT Coupling	\$24.24	*	43
SPMC55S	1" X 1" Fusion MNT Coupling	\$29.62	*	43
SPMC66S	1-1/4" Fusion X 1-1/4" MNT Adapter	\$28.22	*	43
PEVT566S	P.E. Flow Center Flush Tee Straight 1" X 1-1/4" Fusion	\$183.75	*	44
PEVT666S	P.E. Straight Valved Flush Tee 1-1/4" X 1-1/4" Fusion	\$175.90	*	44
PEVTM566S	P.E. 1" Male Flush Tee Straight 1-1/4" X 1-1/4" Fusion	\$215.25	*	44
PEVTM666S	P.E. 1-1/4" Male Flush Tee Straight 1-1/4" X 1-1/4" Fusion	Call For Price	*	44
PE2VT6665S	P.E. Flush Tee, 2 Valved 1-1/4" X 1 1/4" Straight	Call For Price	*	44
SPMT665S	1-1/4" Socket X 1-1/4" Socket X 1" MNT Fusion Tee - w/Cap	Call For Price	*	44
SPMT355V	1" Heat Pump Connection Assembly w/PT Port X 1" Fusion	\$163.13	*	44
SPMT356V	1" Heat Pump Connection Assembly w/PT Port 1-1/4" X 1-1/4" Fusion	\$165.96	*	44
SPMT366V	1-1/4" Heat Pump Connection Assembly w/PT Port X 1-1/4" Fusion	Call For Price	*	44
BPVA6	1-1/4" PE By-Pass Assembly with Flush Ports	Call For Price	*	44
BPVA8	2" PE By-Pass Assembly with Flush Ports	Call For Price	*	44
BFPSSMA44	3/4" MPT Stainless Steel X 3/4" Butt Fusion (316 Stainless)	Call For Price	*	45
BFPSSMA55	1" MPT Stainless Steel X 1" Butt Fusion (316 Stainless)	Call For Price	*	45
BFPSSMA66	1-1/4" MPT Stainless Steel X 1-1/4" Butt Fusion (316 Stainless)	Call For Price	*	45
BFPSSMA77	1-1/2" MPT Stainless Steel X 1-1/2" Butt Fusion (316 Stainless)	Call For Price	*	45
BFPSSMA88	2" MPT Stainless Steel X 2" Butt Fusion (316 Stainless)	Call For Price	*	45
BFPSSMA10	3" MPT Stainless Steel X 3" Butt Fusion (316 Stainless)	Call For Price	*	45
BFPSSMA11	4" MPT Stainless Steel X 4" Butt Fusion (316 Stainless)	Call For Price	*	45
BFPRC54	1" X 3/4" Butt Fusion Reducer	\$14.03	*	45
BFPRC65	1-1/4" X 1" Butt Fusion Reducer	\$15.64	*	45
BFPRC74	1-1/2" X 3/4" Butt Fusion Reducer	\$20.42	*	45
BFPRC75	1-1/2" X 1" Butt Fusion Reducer	\$17.35	*	45
BFPRC76	1-1/2" X 1-1/4" Butt Fusion Reducer	\$17.35	*	45
BFPRC85	2" X 1" Butt Fusion Reducer	\$17.74	*	45
BFPRC86	2" X 1-1/4" Butt Fusion Reducer	\$17.74	*	45
BFPRC87	2" X 1-1/2" Butt Fusion Reducer	\$20.70	*	45
BFPRC108	3" X 2" Butt Fusion Reducer	\$20.70	*	45
BFPRC118	4" X 2" Butt Fusion Reducer	\$33.12	*	45
BFPRC1110	4" X 3" Butt Fusion Reducer	\$29.62	*	45
BFPRC1210	6" X 3" Butt Fusion Reducer	\$126.85	*	45
BFPRC1211	6" X 4" Butt Fusion Reducer	\$83.60	*	45
BFPRC1412	8" X 6" Butt Fusion Reducer	\$150.47	*	45
BFPRC1614	10" X 8" Butt Fusion Reducer	\$195.06	*	45
BFPRC1816	12" X 10" Butt Fusion Reducer	\$486.34	*	45
BFPE5	1" Butt Fusion Elbow	\$14.52	*	46
BFPE6	1-1/4" Butt Fusion Elbow	\$14.36	*	46
BFPE7	1-1/2" Butt Fusion Elbow	\$16.27	*	46
BFPE8	2" Butt Fusion Elbow	\$17.31	*	46
BFPE10	3" Butt Fusion Elbow	\$32.47	*	46
BFPE11	4" Butt Fusion Elbow	\$40.20	*	46
BFPE12	6" Butt Fusion Elbow	\$99.43	*	46
BFPE14	8" Butt Fusion Elbow	\$276.71	*	46
BFPE16	10" Butt Fusion Elbow	\$887.75	*	46

Part Number	Size Description	List Price	Freight Allowance	Catalog Page #
BFPE18	12" Butt Fusion Elbow	\$947.90		46
BFPE5-45	1" Butt Fusion 45 Degree Elbow	\$17.89	*	46
BFPE6-45	1-1/4" Butt Fusion 45 Degree Elbow	\$18.42	*	46
BFPE7-45	1-1/2" Butt Fusion 45 Degree Elbow	\$20.95	*	46
BFPE8-45	2" Butt Fusion 45 Degree Elbow	\$17.31	*	46
BFPE10-45	3" Butt Fusion 45 Degree Elbow	\$32.47	*	46
BFPE11-45	4" Butt Fusion 45 Degree Elbow	\$40.20	*	46
BFPE12-45	6" Butt Fusion 45 Degree Elbow	\$99.43	*	46
BFPE14-45	8" Butt Fusion 45 Degree Elbow	\$256.70		46
BFPE16-45	10" Butt Fusion 45 Degree Elbow	\$871.00		46
BFPE18-45	12" Butt Fusion 45 Degree Elbow	\$933.81		46
BFPY8	2" Butt Fusion Wye	\$42.26	*	46
BFPCP6	1-1/4" Butt Fusion Cap	\$7.59	*	47
BFPCP8	2" Butt Fusion Cap	\$11.64	*	47
BFPCP10	3" Butt Fusion Cap	\$16.50	*	47
BFPCP11	4" Butt Fusion Cap	\$29.77	*	47
BFPCP12	6" Butt Fusion Cap	\$87.83	*	47
BFPCP14	8" Butt Fusion Cap	\$137.66		47
BFPCP16	10" Butt Fusion Cap	\$805.00		47
BFPCP18	12" Butt Fusion Cap	\$1,020.10		47
BFPT5	1" Butt Fusion Tee	\$15.19	*	47
BFPT6	1-1/4" Butt Fusion Tee	\$15.63	*	47
BFPT7	1-1/2" Butt Fusion Tee	\$18.98	*	47
BFPT8	2" Butt Fusion Tee	\$20.10	*	47
BFPT10	3" Butt Fusion Tee	\$36.54	*	47
BFPT11	4" Butt Fusion Tee	\$56.28	*	47
BFPT12	6" Butt Fusion Tee	\$131.32	*	47
BFPT14	8" Butt Fusion Tee	\$308.97		47
BFPT16	10" Butt Fusion Tee	\$1,072.00		47
BFPT18	12" Butt Fusion Tee	\$1,520.06		47
BFPT0808-4B	2" X 2" X 3/4" Butt Fusion Tee (Molded)	\$27.86	*	48
BFPT0808-5B	2" X 2" X 1" Butt Fusion Tee (Molded)	\$27.86	*	48
BFPT0808-6B	2" X 2" X 1-1/4" Butt Fusion Tee (Molded)	\$27.86	*	48
BFPT1010-5B	3" x 3" x 1" Butt Tee (Molded)	\$46.90	*	48
BFPT1010-6B	3" x 3" x 1-1/4" Butt Tee (Molded)	\$46.90	*	48
BFPT1010-8B	3" x 3" x 2" Butt Tee (Molded)	\$46.90	*	48
BFPT1106	4" X4" X 1-1/4" Butt Fusion Tee (Molded)	\$58.63	*	48
BFPT1108	4" X 4" X 2" Butt Fusion Tee (Molded)	\$58.63	*	48
BFPT1110	4" X 4" X 3" Butt Fusion Tee (Molded)	\$70.35	*	48
BFPT1208	6" X 6" X 2" Butt Fusion Tee (Molded)	\$139.93	*	48
BFPT1210	6" X 6" X 3" Butt Fusion Tee (Molded)	\$148.26	*	48
BFPT1211	6" X 6" X 4" Butt Fusion Tee (Molded)	\$158.31	*	48
BFPT1414-11B	8" X 8" X 4" Butt Fusion Tee (Molded)	\$308.97		48
BFPT1412	8" X 8" X 6" Butt Fusion Tee (Molded)	\$308.97		48
BFPT0808-4S	2" Butt x 2" Butt x 3/4" Socket (Fabricated)	\$30.41	*	49
BFPT0808-5S	2" Butt x 2" Butt x 1" Socket (Fabricated)	\$30.92	*	49
BFPT0808-6S	2" Butt x 2" Butt x 1-1/4" Socket (Fabricated)	\$32.21	*	49
BFPT1010-4S	3" Butt x 3" Butt x 3/4" Socket (Fabricated)	\$47.67	*	49

Part Number	Size Description	List Price	Freight Allowance	Catalog Page #
BFPT1010-5S	3" Butt x 3" Butt x 1" Socket (Fabricated)	\$47.67	*	49
BFPT1010-6S	3" Butt x 3" Butt x 1-1/4" Socket (Fabricated)	\$48.96	*	49
BFPT1010-7S	3" Butt x 3" Butt x 1-1/2" Socket (Fabricated)	Call For Price	*	49
BFPT1010-8S	3" Butt x 3" Butt x 2" Socket (Fabricated)	\$50.25	*	49
BFPT1111-4S	4" Butt x 4" Butt x 3/4" Socket (Fabricated)	\$57.98	*	49
BFPT1111-5S	4" Butt x 4" Butt x 1" Socket (Fabricated)	\$59.27	*	49
BFPT1111-6S	4" Butt x 4" Butt x 1-1/4" Socket (Fabricated)	\$60.56	*	49
BFPT1111-7S	4" Butt x 4" Butt x 1-1/2" Socket (Fabricated)	Call For Price	*	49
BFPT1111-8S	4" Butt x 4" Butt x 2" Socket (Fabricated)	\$61.85	*	49
BFPT1212-5S	6" Butt x 6" Butt x 1" Socket (Fabricated)	\$142.85	*	49
BFPT1212-6S	6" Butt x 6" Butt x 1-1/4" Socket (Fabricated)	\$142.85	*	49
BFPT1212-7S	6" Butt x 6" Butt x 1-1/2" Socket (Fabricated)	Call For Price	*	49
BFPT1212-8S	6" Butt x 6" Butt x 2" Socket (Fabricated)	\$143.33	*	49
BFPFA5	1" Butt Fusion Flange Adapter - <b>(NO BEVEL)</b>	\$21.93	*	50
BFPFA6	1-1/4" Butt Fusion Flange Adapter - <b>(NO BEVEL)</b>	\$23.00	*	50
BFPFA7	1-1/2" Butt Fusion Flange Adapter - <b>(NO BEVEL)</b>	\$27.60	*	50
BFPFA8-T	2" Butt Fusion Flange Adapter - Tapered	\$27.41	*	50
BFPFA10-T	3" Butt Fusion Flange Adapter - Tapered	\$30.30	*	50
BFPFA11-T	4" Butt Fusion Flange Adapter - Tapered	\$42.15	*	50
BFPFA12-T	6" Butt Fusion Flange Adapter - Tapered	\$66.64	*	50
BFPFA14-T	8" Butt Fusion Flange Adapter - Tapered	\$102.64		50
BFPFA16-T	10" Butt Fusion Flange Adapter - Tapered	\$164.27		50
BFPFA18-T	12" Butt Fusion Flange Adapter - Tapered	\$238.74		50
BFPFA20	14" Butt Fusion Flange Adapter	\$362.25		50
BFPFA22	16" Butt Fusion Flange Adapter	\$497.66		50
BFPFA24	18" Butt Fusion Flange Adapter	\$588.66		50
BFPFA30	24" Butt Fusion Flange Adapter	\$950.91		50
DFIBR5	1" IPS Metal Back-Up Ring 150#	\$20.47	*	50
DFIBR6	1-1/4" IFS Metal Back-Up Ring 150#	\$18.98	*	50
DFIBR7	1-1/2" IFS Metal Back-Up Ring 150#	\$20.95	*	50
DFIBR8	2" IPS Metal Back-Up Ring 150#	\$23.31	*	50
DFIBR10	3" IPS Metal Back-Up Ring 150#	\$28.78	*	50
DFIBR11	4" IPS Metal Back-Up Ring 150#	\$43.42	*	50
DFIBR12	6" IPS Metal Back-Up Ring 150#	\$63.19	*	50
DFIBR14	8" IPS Metal Back-Up Ring 150#	\$92.98		50
DFIBR16	10" IPS Metal Back-Up Ring 150#	\$121.95		50
DFIBR18	12" IPS Metal Back-Up Ring 150#	\$160.72		50
DFIBR20	14" IPS Metal Back-Up Ring 150#	\$199.55		50
DFIBR22	16" IPS Metal Back-Up Ring 150#	\$205.71		50
DFIBR24	18" IPS Metal Back-Up Ring 150#	\$288.24		50
DFIBR30	24" IPS Metal Back-Up Ring 150#	\$543.12		50
GASREDF182	2" #150 Red Rubber 1/8FF Gasket	Call For Price		51
GASREDF183	3" #150 Red Rubber 1/8FF Gasket	Call For Price		51
GASREDF184	4" #150 Red Rubber 1/8FF Gasket	Call For Price		51
GASREDF186	6" #150 Red Rubber 1/8FF Gasket	Call For Price		51
GASREDF188	8" #150 Red Rubber 1/8FF Gasket	Call For Price		51
NLJ300D	2" Cast Iron Lug w/EPDM 416 SS-Shaft w/ Lever	Call For Price		51
NLJ300F	3" Cast Iron Lug w/EPDM 416 SS-Shaft w/ Lever	Call For Price		51

Part Number	Size Description	List Price	Freight Allowance	Catalog Page #
NLJ300H	4" Cast Iron Lug w/EPDM 416 SS-Shaft w/ Lever	Call For Price		51
NLJ300K	6" Cast Iron Lug w/EPDM 416 SS-Shaft w/ Lever	Call For Price		51
NLJ300L	8" Cast Iron Lug w/EPDM 416 SS-Shaft w/ Lever	Call For Price		51
NLJ310M	10" Cast Iron Lug w/EPDM 416 SS-Shaft w/gear operator	Call For Price		51
NLJ310N	12" Cast Iron Lug w/EPDM 416 SS-Shaft w/gear operator	Call For Price		51
BFPMJ8	2" IPS X IPS MJ Adapter SDR11 HDPE-4710 w/out Stiffners	\$90.56	*	52
BFPMJ10	3" IPS X DIPS MJ Adapter SDR11 HDPE-4710 w/out Stiffners	\$123.56	*	52
BFPMJ11	4" IPS X DIPS MJ Adapter SDR11 HDPE-4710 w/out Stiffners	\$144.90	*	52
BFPMJ12	6" IPS X DIPS MJ Adapter SDR11 HDPE-4710 w/out Stiffners	\$183.91	*	52
BFPMJ14	8" IPS X DIPS MJ Adapter SDR11 HDPE-4710 w/out Stiffners	\$239.64		52
BFPMJ16	10" IPS X DIPS MJ Adapter SDR11 HDPE-4710 w/out Stiffners	\$317.67		52
BFPMJ18	12" IPS X DIPS MJ Adapter SDR11 HDPE-4710 w/out Stiffners	\$403.76		52
BFPMJ20	14" IPS X DIPS MJ Adapter SDR11 HDPE-4710 w/out Stiffners	\$542.04		52
BFPMJ22	16" IPS X DIPS MJ Adapter SDR11 HDPE-4710 w/out Stiffners	\$797.20		52
BFPMJ24	18" IPS X DIPS MJ Adapter SDR11 HDPE-4710 w/out Stiffners	Call For Price		52
BFPMJ30	24" IPS X DIPS MJ Adapter SDR11 HDPE-4710 w/out Stiffners	Call For Price		52
BFPMJ10SS	3" IPS X DIPS MJ Adapter SDR11 HDPE-4710 (W/S. SLEEVE)	\$181.13	*	53
BFPMJ11SS	4" IPS X DIPS MJ Adapter SDR11 HDPE-4710 (W/S. SLEEVE)	\$226.17	*	53
BFPMJ12SS	6" IPS X DIPS MJ Adapter SDR11 HDPE-4710 (W/S. SLEEVE)	\$267.82	*	53
BFPMJ14SS	8" IPS X DIPS MJ Adapter SDR11 HDPE-4710 (W/S. SLEEVE)	\$291.62		53
BFPMJ16SS	10" IPS X DIPS MJ Adapter SDR11 HDPE-4710 (W/S. SLEEVE)	\$357.08		53
BFPMJ20SS	14" IPS X DIPS MJ Adapter SDR11 HDPE-4710 (W/S. SLEEVE)	\$779.60		53
BFPMJ22SS	16" IPS X DIPS MJ Adapter SDR11 HDPE-4710 (W/S. SLEEVE)	\$862.94		53
BFPMJ18SS	12" IPS X DIPS MJ Adapter SDR11 HDPE-4710 (W/S. SLEEVE)	\$429.39		53
DFIMJK08	2" Metal MJ Kit 0153-Includes Gland, Ring, Bolts	\$59.08	*	53
DFIMJK10	3" Metal MJ Kit 0153-Includes Gland, Ring, Bolts	\$68.40	*	53
DFIMJK11	4" Metal MJ Kit 0153-Includes Gland, Ring, Bolts	\$92.00	*	53
DFIMJK12	6" Metal MJ Kit 0153-Includes Gland, Ring, Bolts	\$119.60	*	53
DFIMJK14	8" Metal MJ Kit 0153-Includes Gland, Ring, Bolts	\$133.40		53
DFIMJK16	10" Metal MJ Kit 0153-Includes Gland, Ring, Bolts	\$188.60		53
DFIMJK18	12" Metal MJ Kit 0153-Includes Gland, Ring, Bolts	\$197.80		53
DFIMJK20	14" Metal MJ Kit 0153-Includes Gland, Ring, Bolts	\$289.80		53
DFIMJK22	16" Metal MJ Kit 0153-Includes Gland, Ring, Bolts	\$331.20		53
DFIMJK24	18" Metal MJ Kit 0153-Includes Gland, Ring, Bolts	\$401.06		53
DFIMJK30	24" Metal MJ Kit 0153-Includes Gland, Ring, Bolts	\$685.69		53
BFPSS63S/64B	1-1/4" X 1/2" Socket Fusion 3/4" Butt Fusion Service Saddle	\$22.28	*	54
BFPSS64B	1-1/4" X 3/4" Butt Fusion Service Saddle: Butt Fused Outlet	\$22.28	*	54
BFPSS64S/65B	1-1/4" X 3/4" Socket Fusion 1" Butt Fusion Service Saddle	\$22.28	*	54



Part Number	Size Description	List Price	Freight Allowance	Catalog Page #
BFPSS65S	1-1/4" X 1" Service Saddle: Socket Fused Outlet	\$22.28	*	54
BFPSS74S/75B	1-1/2" X 3/4" Socket Fusion 1" Butt Fusion Service Saddle	\$22.28	*	54
BFPSS75S	1-1/2" X 1" Service Saddle Socket Fused Outlet	\$22.28	*	54
BFPSS84S/85B	2" X 3/4" Socket Fusion 1" Butt Fusion Service Saddle	\$22.28	*	54
BFPSS85S/86B	2" X 1" Socket Fusion 1-1/4" Butt Fusion Service Saddle	\$22.28	*	54
BFPSS86S	2" X 1-1/4" Service Saddle: Socket Fused Outlet	\$22.28	*	54
BFPSS87B	2" X 1-1/2" Service Saddle: Butt Fused Outlet	\$32.68	*	54
BFPSS104S/105B	3" X 3/4" Socket Fusion 1" Butt Fusion Service Saddle	\$22.28	*	54
BFPSS105S/106B	3" X 1" Socket Fusion 1-1/4" Butt Fusion Service Saddle	\$22.28	*	54
BFPSS106S	3" X 1-1/4" Service Saddle: Socket Fused Outlet	\$19.71	*	54
BFPSS107B	3" X 1-1/2" Service Saddle: Butt Fused Outlet-Round Base	\$32.68	*	54
BFPSS114S/115B	4" X 3/4" Socket Fusion 1" Butt Fusion Service Saddle	\$22.28	*	54
BFPSS115S/116B	4" X 1" Socket Fusion 1-1/4" Butt Fusion Service Saddle	\$22.28	*	54
BFPSS116B	4" X 1-1/4" Service Saddle Butt Fused Outlet	\$22.28	*	54
BFPSS116S	4" X 1-1/4" Service Saddle: Socket Fused Outlet	\$19.71	*	54
BFPSS117B	4" X 1-1/2" Service Saddle: Butt Fused Outlet-Round Base	\$32.68	*	54
BFPSS124S/125B	6" X 3/4" Socket Fusion 1" Butt Fusion Service Saddle	\$22.28	*	54
BFPSS125S	6" X 1" Service Saddle: Socket Fused Outlet	\$22.28	*	54
BFPSS126S	6" X 1-1/4" Service Saddle: Socket Fused Outlet	\$19.71	*	54
BFPSS127B	6" X 1-1/2" Service Saddle Butt Fused Outlet-Round Base	\$39.43	*	54
BFPSS144S	8" X 3/4" Service saddle: Socket Fused Outlet	\$22.28	*	54
BFPSS144S/145B	8" X 3/4" Socket Fusion 1" Butt Fusion Service Saddle	\$22.28	*	54
BFPSS145S	8" X 1" Service Saddle: Socket Fused Outlet	\$22.28	*	54
BFPSS166B	10" X 1-1/4" Service Saddle: Butt Fused Outlet	\$25.38	*	54
BFPBS108	3" X 2" Branch Saddle Butt Fused Outlet - Round Base	\$40.07	*	55
BFPBS118	4" X 2" Branch Saddle Butt Fused Outlet - Round Base	\$40.07	*	55
BFPBS1110	4" X 3" Branch Saddle Butt Fused Outlet - Round Base	\$75.21	*	55
BFPBS128	6" X 2" Branch Saddle Butt Fused Outlet - Round Base	\$47.04	*	55
BFPBS1210	6" X 3" Branch Saddle Butt Fused Outlet - Round Base	\$69.42	*	55
BFPBS1211	6" X 4" Branch Saddle Butt Fused Outlet - Round Base	\$96.60	*	55
BFPBS148	8" X 2" Branch Saddle Butt Fused Outlet - Round Base	\$47.15	*	55
BFPBS1410	8" X 3" Branch Saddle Butt Fused Outlet - Round Base	\$71.76	*	55
BFPBS1411	8" X 4" Branch Saddle Butt Fused Outlet - Round Base	\$85.46	*	55
BFPBS1412	8" X 6" Branch Saddle Butt Fused Outlet - Round Base	\$208.77	*	55
BFPBS1608	10" X 2" Branch Saddle Butt Fused Outlet - Round Base	\$49.95	*	55
BFPBS1610	10" X3" Branch Saddle Butt Fused Outlet - Round Base.	\$90.32	*	55
BFPBS1611	10" X 4" Branch Saddle Butt Fused Outlet - Round Base	\$94.88	*	55
BFPBS1811	12" X4" Branch Saddle Butt Fused Outlet- Round Base	\$89.07	*	55
BFPBS2412	18" X 6" Branch Saddle Butt Fused Outlet - Round Base	Call For Price	*	55
12EIME12C	1/2" CTS Electrofusion Coupling	\$17.97	*	56
12EIME34	3/4" IPS Electrofusion Coupling	\$17.59	*	56
12EIME01	1" IPS Nupi Electrofusion Coupling	\$18.93	*	56
12EIME114	1-1/4" IPS Nupi Electrofusion Coupling	\$20.60	*	56
12EIME112	1-1/2" IPS Nupi Electrofusion Coupling	\$23.45	*	56
12EIME02	2" IPS Nupi Electrofusion Coupling	\$24.51	*	56
12EIME03	3" IPS Nupi Electrofusion Coupling	\$56.39	*	56
12EIME04	4" IPS Nupi Electrofusion Coupling	\$75.21	*	56
12EIME06	6" IPS Nupi Electrofusion Coupling	\$180.57	*	56

Part Number	Size Description	List Price	Freight Allowance	Catalog Page #
12EIME08	8" IPS Nupi Electrofusion Coupling	Call For Price	*	56
12EIME10	10" IPS Nupi Electrofusion Coupling	Call For Price		56
12EIME12	12" IPS Nupi Electrofusion Coupling	Call For Price		56
12EIME14	14" IPS Nupi Electrofusion Coupling	Call For Price		56
12EIME16	16" IPS Nupi Electrofusion Coupling	Call For Price		56
12EIME18	18" IPS Nupi Electrofusion Coupling	Call For Price		56
12EIME20	20" IPS Nupi Electrofusion Coupling	Call For Price		56
12EIME24	24" IPS Nupi Electrofusion Coupling	Call For Price		56
12EICOL11401	1-1/4" X 1" IPS Electrofusion Branch Saddle	\$56.38	*	57
12EICOL0234	2" X 3/4" IPS Electrofusion Branch Saddle	\$56.38	*	57
12EICOL0201	2" X 1" IPS Electrofusion Branch Saddle	\$56.38	*	57
12EICOL0202	2" X 2" IPS Electrofusion Branch Saddle	\$65.33	*	57
12EICOL0334	3" X 3/4" IPS Electrofusion Branch Saddle	\$65.33	*	57
12EICOL0301	3" X 1" IPS Electrofusion Branch Saddle	\$65.33	*	57
12EICOL03114	3" X 1-1/4" IPS Electrofusion Branch Saddle	\$65.33	*	57
12EICOL0302	3" X 2" IPS Electrofusion Branch Saddle	\$65.33	*	57
12EICOL0434	4" X 3/4" IPS Electrofusion Branch Saddle	\$72.89	*	57
12EICOL0401	4" X 1" IPS Electrofusion Branch Saddle	\$72.89	*	57
12EICOL04114	4" X 1-1/4" IPS Electrofusion Branch Saddle	\$72.89	*	57
12EICOL0402	4" X 2" IPS Electrofusion Branch Saddle	\$72.89	*	57
12EICOL0403	4" X 3" IPS Electrofusion Branch Saddle	\$286.43	*	57
12EICOL0634	6" X 3/4" IPS Electrofusion Branch Saddle	\$87.96	*	57
12EICOL0601	6" X 1" IPS Electrofusion Branch Saddle	\$87.96	*	57
12EICOL06114	6" X 1-1/4" IPS Electrofusion Branch Saddle	\$87.96	*	57
12EICOL0602	6" X 2" IPS Electrofusion Branch Saddle	\$87.96	*	57
12EICOL0603	6" X 3" IPS Electrofusion Branch Saddle	\$317.55	*	57
12EICOL0604	6" X 4" IPS Electrofusion Branch Saddle	\$381.06		57
12EICOL0834	8" X 3/4" IPS Electrofusion Branch Saddle	\$115.58	*	57
12EICOL0801	8" X 1" IPS Electrofusion Branch Saddle	\$107.54	*	57
12EICOL08114	8" X 1-1/4" IPS Electrofusion Branch Saddle	\$115.58	*	57
12EICOL0802	8" X 2" IPS Electrofusion Branch Saddle	\$107.54	*	57
12EICOL0803	8" X 3" IPS Electrofusion Branch Saddle	\$332.21	*	57
12EICOL0804	8" X 4" IPS Electrofusion Branch Saddle	\$410.38	*	57
12EICOL10114	10" X 1-1/4" IPS Electrofusion Branch Saddle	\$125.63	*	57
12EICOL1002	10" X 2" IPS Electrofusion Branch Saddle	\$125.63	*	57
12EICOL1003	10" X 3" IPS Electrofusion Branch Saddle	\$361.80	*	57
12EICOL1004	10" X 4" IPS Electrofusion Branch Saddle	\$482.40	*	57
12EICOL1202	12" X 2" IPS Electrofusion Branch Saddle	\$135.68	*	57
12EICOL1203	12" X 3" IPS Electrofusion Branch Saddle	\$391.95	*	57
12EICOL1204	12" X 4" IPS Electrofusion Branch Saddle	\$549.74	*	57
12EICOL1206	12" X 6" IPS Electrofusion Branch Saddle	\$1,172.50	*	57
12E8202	Nupi 4.0mm to 4.7mm Adapter (Sold as Pair)	\$100.50	*	57
12EICEM01	2" IPS Electrofusion 45° Degree Elbow	\$58.63	*	58
12EIGEM02	2" IPS Electrofusion 90° Degree Elbow	\$58.63	*	58
12EIGEM03	3" IPS Electrofusion 90° Degree Elbow	\$132.63	*	58
12EITCE02	2" IPS Electrofusion Tee w/ Spigot End	\$67.67	*	58
12EIRDE0302	3" X 2" IPS Electrofusion Reducer PE 4710/230 PSI	\$59.53	*	58
12EIRDE0402	4" X 2" IPS Electrofusion Reducer PE 4710/230 PSI	\$75.76	*	58

Part Number	Size Description	List Price	Freight Allowance	Catalog Page #
12EIRDE0403	4" X 3" IPS Electrofusion Reducer PE 4710/230 PSI	\$78.49	*	58
12EIRDE0604	6" X 4" IPS Electrofusion Reducer PE 4710/230 PSI	\$173.17	*	58
12EIPRES0234	2" X 3/4" IPS Electrofusion Branch Saddle Tapping Tee - Butt	\$40.20	*	58
12EIPRES0201	2" X 1" IPS IPS Electrofusion Branch Saddle Tapping Tee - Butt	\$40.20	*	58
12EIPRES02114	2" X 1-1/4" IPS IPS Electrofusion Branch Saddle Tapping Tee - Butt	\$56.08	*	58
12EIPRES0334	3" X 3/4" IPS Electrofusion Branch Saddle Tapping Tee - Butt	\$42.74	*	58
12EIPRES0301	3" X 1" IPS Electrofusion Branch Saddle Tapping Tee - Butt	\$42.74	*	58
12EIPRES03114	3" X 1-1/4" IPS Electrofusion Branch Saddle Tapping Tee - Butt	\$60.30	*	58
12EIPRES0302	3" X 2" IPS Electrofusion Branch Saddle Tapping Tee - Butt	\$145.73	*	58
12EIPRES0434	4" X 3/4" IPS Electrofusion Branch Saddle Tapping Tee - Butt	\$45.46	*	58
12EIPRES0401	4" X 1" IPS IPS Electrofusion Branch Saddle Tapping Tee - Butt	\$47.76	*	58
12EIPRES04114	4" X 1-1/4" IPS Electrofusion Branch Saddle Tapping Tee - Butt	\$67.86	*	58
12E1PRES0634	6" X 3/4" IPS Electrofusion Branch Saddle Tapping Tee - Butt	\$57.81	*	58
12E1PRES0601	6" X 1" IPS Electrofusion Branch Saddle Tapping Tee - Butt	\$57.81	*	58
12E1PRES06114	6" X 1-1/4" IPS Electrofusion Branch Saddle Tapping Tee - Butt	\$72.60	*	58
12EIPRES0602	6" X 2" IPS Electrofusion Branch Saddle Tapping Tee - Butt	\$165.83	*	58
12EIPRES0801	8" X 1" IPS Electrofusion Branch Saddle Tapping Tee - Butt	\$90.45	*	58
12EIPRES1201	12" X 1" IPS Electrofusion Branch Saddle Tapping Tee - Butt	\$130.65	*	58
12EIPRES1202	12" X 2" IPS Electrofusion Branch Saddle Tapping Tee - Butt	\$190.95	*	58
1.25-69111-N	1-1/4" Full Port Polyball Valve -SDR11 Butt Fusion	Call For Price	*	59
2-69111-N	2" Full Port Polyball Valve -SDR11 Butt Fusion	Call For Price	*	59
3-69111-N	3" Full Port Polyball Valve -SDR11 Butt Fusion	Call For Price	*	59
4.25-69111-N	4" Full Port Polyball Valve -SDR11 Butt Fusion	Call For Price	*	59
6.25-69111-N	6" Full Port Polyball Valve -SDR11 Butt Fusion	Call For Price	*	59
PV-KEY-2	Street Key for Polyethylene Valve, 2" Thru 12"	\$103.50	†	59
BV004	3/4" FPT Brass Ball Valve (Full Port)	Call For Price	†	60
BV007	1" FPT Brass Ball Valve (Full Port)	Call For Price	†	60
BV010	1-1/4" FPT Brass Ball Valve (Full Port)	Call For Price	†	60
BV013	1-1/2" FPT Brass Ball Valve (Full Port)	Call For Price	†	60
BV016	2" FPT Brass Ball Valve (Full Port)	Call For Price	†	60
BV-IBU3FF	1" FPT Brass Ball Valve w/Union P/T (Full Port)	Call For Price	†	61
BV-IBU4FF	1-1/4" FPT Brass Ball Valve w/Union P/T (Full Port)	Call For Price	†	61
BV-IBU5FF	1-1/2" FPT Brass Ball Valve w/Union P/T (Full Port)	Call For Price	†	61
BV-IBU6FF	2" FPT Brass Ball Valve w/Union P/T (Full Port)	Call For Price	†	61
ELO44FA	3/4" Compression X 3/4" Female Adapter For P.E.	\$17.05	*	62
ELO55FA	1" Compression X 1" Female Adapter For P.E.	\$14.30	*	62
ELO66FA	1-1/4" Compression X 1-1/4" Female Adapter For P.E.	\$21.25	*	62
ELO77FA	1-1/2" Compression X 1-1/2" Female Adapter For P.E.	\$58.23	*	62
ELO88FA	2" Compression X 2" Female Adapter For P.E.	\$43.05	*	62
ELO44MA	3/4" Compression X 3/4" Male Adapter For P.E.	\$12.64	*	62
ELO55MA	1" Compression X 1" Male Adapter For P.E.	\$13.75	*	62
ELO66MA	1-1/4" Compression X 1-1/4" Male Adapter For P.E.	\$19.15	*	62
ELO77MA	1-1/2" Compression X 1-1/2" Male Adapter For P.E.	\$58.23	*	62
ELO88MA	2" Compression X 2" Male Adapter For P.E.	\$38.60	*	62
ELO4EC	3/4" Compression End Cap For RE.	\$11.80	*	62
ELO5EC	1" Compression End Cap For P.E.	\$17.04	*	62
ELO6EC	1-1/4" Compression End Cap For P.E.	\$23.10	*	62
ELO7EC	1-1/2" Compression End Cap For P.E.	\$56.30	*	62

Part Number	Size Description	List Price	Freight Allowance	Catalog Page #
ELO8EC	2" Compression End Cap For P.E.	\$60.75	*	62
ELO42TC	3/4" Test Cap (3/4" X 1/4" FPT)	\$32.40	*	62
ELO52TC	1" Test Cap (1" X 1/4" FPT)	\$42.84	*	62
ELO62TC	1-1/4" Test Cap (1-1/4" X 1/4" FPT)	\$70.89	*	62
ELO72TC	1-1/2" Test Cap (1-1/2" X 1/4" FPT)	\$131.96	*	62
ELO82TC	2" Test Cap (2" X 1/4" FPT)	\$152.00	*	62
ELOTC4Kit	3/4" Compression Test Cap Kit	\$146.15	*	62
ELOTC5Kit	1" Compression Test Cap Kit	\$157.85	*	62
ELOTC6Kit	1-1/4" Compression Test Cap Kit	\$187.08	*	62
ELOTC7Kit	1-1/2" Compression Test Cap Kit	\$254.72	*	62
ELOTC8Kit	2" Compression Test Cap Kit	\$280.62	*	62
ELOTC46Kit	3/4" X 1-1/4" Compression Test Cap Kit	\$276.70	*	62
ELO44C	3/4" PE X 3/4" PE Coupling	\$16.25	*	63
ELO55C	1" PE X 1" PE Coupling	\$20.50	*	63
ELO66C	1-1/4" PE X 1-1/4" PE Coupling	\$32.05	*	63
ELO77C	1-1/2" PE X 1-1/2" PE Coupling	\$53.89	*	63
ELO88C	2" PE X 2" PE Coupling	\$60.65	*	63
ELO44E	3/4" PE X 3/4" PE Elbow	\$16.25	*	63
ELO55E	1" PE X 1" PE Elbow	\$27.00	*	63
ELO66E	1-1/4" PE X 1-1/4" PE Elbow	\$33.75	*	63
ELO77E	1-1/2" PE X 1-1/2" PE Elbow	\$58.02	*	63
ELO88E	2" PE X 2" PE Elbow	\$80.20	*	63
PE4C-PVC4C	3/4" PE X 3/4" PVC Coupling	\$18.15	*	63
PE5C-PVC5C	1" PE X 1" PVC Coupling	\$21.26	*	63
PE6C-PVC6C	1-1/4" PE X 1-1/4" PVC Coupling	\$38.09	*	63
PE4E-PVC4E	3/4" PE X 3/4" PVC Elbow	\$18.89	*	63
PE5E-PVC5E	1" PE X 1" PVC Elbow	\$22.00	*	63
PE6E-PVC6E	1-1/4" PE X 1-1/4" PVC Elbow	\$41.44	*	63
OOCHIAVE025	3/4" Compression Wrench	\$22.67	*	63
OOCHIAVE032	1" Compression Wrench	\$27.20	*	63
OOCHIAVE040	1 1/4" Compression Wrench	\$29.47	*	63
OOCHIAVE050	1-1/2" Compression Wrench	\$36.27	*	63
OOCHIAVE063	2" Compression Wrench	\$45.33	*	63
SK644K02	1-1/4" Inlet X (3) 3/4" Outlets-Parallel (priced per each)	\$27.95	*	64
SK644K03	1-1/4" Inlet X (4) 3/4" Outlets-Parallel (priced per each)	\$34.45	*	64
SK644K04	1-1/4" Inlet X (5) 3/4" Outlets-Parallel (priced per each)	\$47.40	*	64
SK644K05	1-1/4" Inlet X (6) 3/4" Outlets-Parallel (priced per each)	\$64.77	*	64
SK644K06	1-1/4" Inlet X (7) 3/4" Outlets-Parallel (priced per each)	\$78.64	*	64
SK655K02	1-1/4" Inlet X (3) 1" Outlets-Parallel (priced per each)	\$48.95	*	64
SK655K03	1-1/4" Inlet X (4) 1" Outlets-Parallel (priced per each)	\$68.73	*	64
SK655K04	1-1/4" Inlet X (5) 1" Outlets-Parallel (priced per each)	\$91.98	*	64
SK655K05	1-1/4" Inlet X (6) 1" Outlets-Parallel (priced per each)	\$107.39	*	64
SK655K06	1-1/4" Inlet X (7) 1" Outlets-Parallel (priced per each)	\$135.68	*	64
SK744K03	1-1/2" Inlet X (4) 3/4" Outlets-Parallel (priced per each)	\$120.25	*	64
SK744K04	1-1/2" Inlet X (5) 3/4" Outlets-Parallel (priced per each)	\$152.94	*	64
SK744K05	1-1/2" Inlet X (6) 3/4" Outlets-Parallel (priced per each)	\$176.75	*	64
SK744K06	1-1/2" Inlet X (7) 3/4" Outlets-Parallel (priced per each)	\$185.56	*	64
SK744K07	1-1/2" Inlet X (8) 3/4" Outlets-Parallel (priced per each)	\$198.50	*	64

Part Number	Size Description	List Price	Freight Allowance	Catalog Page #
SK755K02	1-1/2" Inlet X (3) 1" Outlets-Parallel (priced per each)	\$72.83	*	64
SK755K03	1-1/2" Inlet X (4) 1" Outlets-Parallel (priced per each)	\$94.13	*	64
SK755K04	1-1/2" Inlet X (5) 1" Outlets-Parallel (priced per each)	\$125.59	*	64
SK755K05	1-1/2" Inlet X (6) 1" Outlets-Parallel (priced per each)	\$170.05	*	64
SK755K06	1-1/2" Inlet X (7) 1" Outlets-Parallel (priced per each)	\$207.61	*	64
SK844K04	2" Inlet X (5) 3/4" Outlets-Parallel (priced per each)	\$109.84	*	64
SK844K05	2" Inlet X (6) 3/4" Outlets-Parallel (priced per each)	\$139.98	*	64
SK844K06	2" Inlet X (7) 3/4" Outlets-Parallel (priced per each)	\$147.20	*	64
SK844K07	2" Inlet X (8) 3/4" Outlets-Parallel (priced per each)	\$165.75	*	64
SK844K08	2" Inlet X (9) 3/4" Outlets-Parallel (priced per each)	\$197.25	*	64
SK844K09	2" Inlet X (10) 3/4" Outlets-Parallel (priced per each)	\$228.75	*	64
SK844K010	2" Inlet X (11) 3/4" Outlets-Parallel (priced per each)	\$270.27	*	64
SK844K011	2" Inlet X (12) 3/4" Outlets-Parallel (priced per each)	\$307.50	*	64
SK855K02	2" Inlet X (3) 1" Outlets-Parallel (priced per each)	\$89.93	*	64
SK855K03	2" Inlet X (4) 1" Outlets-Parallel (priced per each)	\$99.89	*	64
SK855K04	2" Inlet X (5) 1" Outlets-Parallel (priced per each)	\$109.36	*	64
SK855K05	2" Inlet X (6) 1" Outlets-Parallel (priced per each)	\$121.57	*	64
SK855K06	2" Inlet X (7) 1" Outlets-Parallel (priced per each)	\$133.77	*	64
SK855K07	2" Inlet X (8) 1" Outlets-Parallel (priced per each)	\$196.91	*	64
SK855K08	2" Inlet X (9) 1" Outlets-Parallel (priced per each)	\$229.09	*	64
SK855K09	2" Inlet X (10) 1" Outlets-Parallel (priced per each)	\$272.05	*	64
SK644K02H	1-1/4" Inlet X (3) 3/4" Outlets-Alt 180 H (priced per each)	\$29.95	*	65
SK644K03H	1-1/4" Inlet X (4) 3/4" Outlets-Alt 180 H (priced per each)	\$36.91	*	65
SK644K04H	1-1/4" Inlet X (5) 3/4" Outlets-Alt 180 H (priced per each)	\$50.79	*	65
SK644K05H	1-1/4" Inlet X (6) 3/4" Outlets-Alt 180 H (priced per each)	\$69.75	*	65
SK644K06H	1-1/4" Inlet X (7) 3/4" Outlets-Alt 180 H (priced per each)	\$84.69	*	65
SK655K02H	1-1/4" Inlet X (3) 1" Outlets-Alt 180 H (priced per each)	\$48.95	*	65
SK655K03H	1-1/4" Inlet X (4) 1" Outlets-Alt 180 H (priced per each)	\$68.73	*	65
SK655K04H	1-1/4" Inlet X (5) 1" Outlets-Alt 180 H (priced per each)	\$91.98	*	65
SK655K05H	1-1/4" Inlet X (6) 1" Outlets-Alt 180 H (priced per each)	\$107.39	*	65
SK655K06H	1-1/4" Inlet X (7) 1" Outlets-Alt 180 H (priced per each)	\$135.68	*	65
SK844K07H	2" Inlet X (8) 3/4" Outlets-Alt 180 H (priced per each)	\$165.75	*	65
SK844K08H	2" Inlet X (9) 3/4" Outlets-Alt 180 H (priced per each)	\$197.25	*	65
SK844K09H	2" Inlet X (10) 3/4" Outlets-Alt 180 H (priced per each)	\$228.75	*	65
SK844K010H	2" Inlet X (11) 3/4" Outlets-Alt 180 H (priced per each)	\$270.27	*	65
SK844K011H	2" Inlet X (12) 3/4" Outlets-Alt 180 H (priced per each)	\$307.50	*	65
SK855K07H	2" Inlet X (8) 1" Outlets-Alt 180 H (priced per each)	\$196.91	*	65
SK855K08H	2" Inlet X (9) 1" Outlets-Alt 180 H (priced per each)	\$229.09	*	65
SK855K09H	2" Inlet X (10) 1" Outlets-Alt 180 H (priced per each)	\$272.05	*	65
M232PA-INS	2 Circuit 3/4" X 1-1/4" Header- Angle (Insulated)(pair)	\$365.65	*	66
M232PS-INS	2 Circuit 3/4" X 1-1/4" Header- Straight (Insulated)(pair)	\$365.65	*	66
M332PA-INS	3 Circuit 3/4" X 1-1/4" Header- Angle (Insulated)(pair)	\$540.03	*	66
M332PS-INS	3 Circuit 3/4" X 1-1/4" Header- Straight (Insulated)(pair)	\$540.03	*	66
M432PA-INS	4 Circuit 3/4" X 1-1/4" Header- Angle (Insulated)(pair)	\$674.72	*	66
M432PS-INS	4 Circuit 3/4" X 1-1/4" Header- Straight (Insulated)(pair)	\$674.72	*	66
M532PA-INS	5 Circuit 3/4" X 1-1/4" Header- Angle (Insulated)(pair)	\$839.41	*	66
M532PS-INS	5 Circuit 3/4" X 1-1/4" Header- Straight (Insulated)(pair)	\$839.41	*	66
M632PA-INS	6 Circuit 3/4" X 1-1/4" Header- Angle (Insulated)(pair)	\$1,008.21	*	66

Part Number	Size Description	List Price	Freight Allowance	Catalog Page #
M632PS-INS	6 Circuit 3/4" X 1-1/4" Header- Straight (Insulated)(pair)	\$1,008.21	*	66
MPE232PS	1-1/4" Header x 2 Circuit 3/4" Straight (pair)	\$421.14	*	67
MPE232PA	1-1/4" Header x 2 Circuit 3/4" Angle (pair)	\$437.59	*	67
MPE332PS	1-1/4" Header x 3 Circuit 3/4" Straight (pair)	\$623.33	*	67
MPE332PA	1-1/4" Header x 3 Circuit 3/4" Angle (pair)	\$647.99	*	67
MPE432PS	1-1/4" Header x 4 Circuit 3/4" Straight (pair)	\$825.51	*	67
MPE432PA	1-1/4" Header x 4 Circuit 3/4" Angle (pair)	\$858.40	*	67
MPE532PS	1-1/4" Header x 5 Circuit 3/4" Straight (pair)	\$1,027.70	*	67
MPE532PA	1-1/4" Header x 5 Circuit 3/4" Angle (pair)	\$1,068.81	*	67
MPE632PS	1-1/4" Header x 6 Circuit 3/4" Straight (pair)	\$1,229.88	*	67
MPE632PA	1-1/4" Header x 6 Circuit 3/4" Angle (pair)	\$1,279.21	*	67
MPE732PS	1-1/4" Header x 7 Circuit 3/4" Straight (pair)	\$1,512.23	*	67
MPE732PA	1-1/4" Header x 7 Circuit 3/4" Angle (pair)	\$1,569.79	*	67
R63-46-1K	3/4" & 1-1/4" IPS Double & Depth Gauge Only Fusion Kit	Call For Price	†	-
R63-46C-1K	3/4" & 1-1/4" IPS Double & Chamfer/Depth Gauge Fusion Kit	Call For Price	†	69
R63-48-1K	3/4" through 2" IPS Double & Depth Gauge Only Fusion Kit	Call For Price	†	-
R63-48C-1K	3/4" through 2" IPS Double & Chamfer/Depth Gauge Fusion Kit	Call For Price	†	69
RT-1-H	R63 TFE (110V) Socket Fusion Tool - Double Only	Call For Price	†	70
RT-2-H	R125Q-TE (115V) Socket Fusion Tool - Multiple	Call For Price	†	70
BDFB-1	B & D Fusion Tool Cover	\$97.09	*	70
DBUD	Ditch Buddy Fusion Tool Bag Holder w/ B&D Bag	\$111.59	*	70
FHSF4P	3/4" Vanguard Socket Face	\$194.18	*	71
FHSF5P	1" Vanguard Socket Face	\$194.18	*	71
FHSF6P	1-1/4" Vanguard Socket Face	\$194.18	*	71
FHSF7P	1-1/2" Vanguard Socket Face	\$194.18	*	71
FHSF8P	2" Vanguard Socket Face	\$194.18	*	71
RSP4	3/4" IPS Ritmo Socket Face	Call For Price	*	71
RSP5	1" IPS Ritmo Socket Face	Call For Price	*	71
RSP6	1-1/4" IPS Ritmo Socket Face	Call For Price	*	71
RSP7	1-1/2" IPS Ritmo Socket Face	Call For Price	*	71
RSP8	2" IPS Ritmo Socket Face	Call For Price	*	71
DG4A	3/4" Vanguard Depth Gauge	\$32.85	*	71
DG5A	1" Vanguard Depth Gauge	\$32.85	*	71
DG6A	1-1/4" Vanguard Depth Gauge	\$32.85	*	71
DG7A	1-1/2" Vanguard Depth Gauge	\$32.85	*	71
DG8A	2" Vanguard Depth Gauge	\$32.85	*	71
CTDG4	3/4" IPS Ritmo Chamfer Tool/Depth Gauge	Call For Price	*	71
CTDG5	1" IPS Ritmo Chamfer Tool/Depth Gauge	Call For Price	*	71
CTDG6	1-1/4" IPS Ritmo Chamfer Tool/Depth Gauge	Call For Price	*	71
CTDG7	1-1/2" IPS Ritmo Chamfer Tool/Depth Gauge	Call For Price	*	71
CTDG8	2" IPS Ritmo Chamfer Tool/Depth Gauge	Call For Price	*	71
FHCR4P	3/4" Cold Ring	\$171.70	*	72
FHCR5P	1" Cold Ring	\$171.70	*	72
FHCR6P	1-1/4" Cold Ring	\$182.45	*	72
FHCR7P	1-1/2" Cold Ring	\$182.45	*	72
FHCR8P	2" Cold Ring	\$182.45	*	72
MSK-F-475-1	Tempilstik 475 Degree F	\$36.88	*	72
MSK-F-525-1	Tempilstik 525 Degree F	\$36.88	*	72

Part Number	Size Description	List Price	Freight Allowance	Catalog Page #
V00864	Digital Timer	\$35.00	*	72
TC2QP	3/4" to 2" IPS Tubing Cutter for Plastic	\$276.86	*	73
T-RS2	Large Ratchet Shear (up to 2" IPS)	\$399.87		
RS7290	Small Ratchet Shear (up to 2" IPS)	\$399.87		
CTBG8	Pipe Cutter (up to 1-3/8" IPS)	\$30.63	*	73
C2-RC	1-1/4" Pipe Cutter Ratchet	\$68.03	*	73
Ram 14 B.F. 1-4	<b>RAM 14</b> Butt Fusion Machine (1" to 4") 110V	\$7,875.00		74
R77291461B	1" IPS Liners (RAM 14)	\$206.67		74
R77291721B	1-1/4" IPS Liners (RAM 14)	\$221.43		74
R77291811B	1-1/2" IPS Liners (RAM 14)	\$221.43		74
R77292331B	2" IPS Liners (RAM 14)	\$310.00		74
R77292871B	3" IPS Liners (RAM 14)	\$310.00		74
R77293161B	4" IPS Liners (RAM 14)	\$363.14		74
Ram 28 B.F. 2-8	<b>RAM 28</b> Butt Fusion (2"-8" DIPS)110V 60HZ Single PH	\$41,171.23		75
R87292305	Inserts Diam 2" IPS (RAM 28)	\$1,029.50		75
R87292731	Inserts Diam 3" IPS (RAM 28)	\$1,029.50		75
R87293238	Inserts Diam 4" IPS (RAM 28)	\$1,029.50		75
R87294047	Inserts Diam 6" IPS (RAM 28)	\$1,029.50		75
R87294622	Inserts Diam 8" IPS (RAM 28)	\$1,029.50		75
Ram 414 B.F. 4-14	<b>RAM 414</b> BUTT FUSION (4"-14"DIPS)110V 60HZ SINGLE PH	\$86,560.83		76
R87293354	4" IPS Liners (RAM 414)	\$2,292.88		76
R87294153	6" IPS Liners (RAM 414)	\$2,292.88		76
R87294643N	8" IPS Liners (RAM 414)	\$2,292.88		76
R87295382N	10" IPS Liners (RAM 414)	\$2,292.88		76
R87295803N	12" IPS Liners (RAM 414)	\$2,292.88		76
96906082	ELEKTRA Light Electrofusion 115V w/ Scanner Gun	Call For Price	†	77
Call For Part#	ELEKTRA 500 Electrofusion 120V or 230V w/ Scanner Gun	Call For Price		78
Call For Part#	ELEKTRA 1000 Electrofusion 230V w/Scanner Gun	Call For Price		78
RTC315	3" to 12" Universal Scraper	\$3,685.98		79
RTC160	2" to 6" Universal Scraper	\$3,685.98		79
12RAT2	6" to 24" Revolving Scraper	\$4,187.50		79
99890007	3/4" Turbo Scraper	\$741.20	†	79
99890008	1" Turbo Scraper	\$741.20	†	79
99890009	1-1/4" Turbo Scraper	\$741.20	†	79
99890010	1-1/2" Turbo Scraper	\$773.86	†	79
99890011	2" Turbo Scraper	\$773.86	†	79
99500002	1/2" through 2" IPS Universal Aligner 63 Kit	Call For Price		80
99520006	2" through 5" IPS Universal Aligner 63 Kit	Call For Price		80

“B & D Mfg. Inc.’s mission is to bring geothermal innovation to the forefront of green energy. Our goal is to utilize non-pressurized products, while meeting all geothermal product needs. We strive to always have the products our distributors need in stock. As one of the leaders in geothermal, B & D plans to grow with the industry and continue to push the industry with creative ideas, quality products, and great distributor service.”

**B & D MFG., INC.**  
**901 9TH STREET**  
**SCRANTON, IA 51462**  
**Ph: 1-866-646-6724 or 712-652-3424**  
**Fax: 1-800-952-7101 or 712-652-3388**



**WWW.BDMFGINC.COM**

**VISIT OUR WEBSITE AND SIGN-UP FOR INSTANT PRICING.**

**PRICES SUBJECT TO CHANGE WITHOUT NOTICE.**  
**SPECIAL ORDERS and FABRICATED ITEMS ARE NON-RETURNABLE.**