

B&D
MFG, INC.®

ALL THE “PUMP” YOU NEED AND MORE!

GEO THERMAL MASTER PRICE LIST

July 2022 Price List

(Note: Pricing in this Book is subject to change)

Volume 8 Product Catalog



INNOVATORS IN GEOTHERMAL TECHNOLOGY

Sign-Up Today for Online Pricing

**GET YOUR QUOTES FASTER WITH INSTANT PRICING
AT YOUR FINGER TIPS**

- 24/7 ACCESS TO THE MOST CURRENT PRICING (PRINTABLE & VIEWABLE)
- YOUR OWN PERSONAL PASSWORD FOR BETTER ONLINE SECURITY FOR YOU & YOUR COMPANY
- SEARCH BY PARTIAL OR COMPLETE PART #
(RESULTS SHOW PART NUMBER, DESCRIPTION, LIST PRICE & DISTRIBUTOR PRICE)
- STILL ONLY A PHONE CALL AWAY TO QUOTE YOUR FAB ITEMS

**VISIT OUR WEBSITE AT WWW.BDMFGINC.COM
AND REQUEST A LOGIN**

CLICK ON THE SIGN-UP LOCATED JUST ABOVE THE WEBSITE SEARCH BAR



NOW SHIPPING FROM 2 LOCATIONS IN THE U.S.

SCRANTON, IA

SYRACUSE, NY



TABLE OF CONTENTS

Non-Pressurized Flow Centers (Residential & Commercial).....	4-7
Pressurized Flow Centers.....	8
HSS Buffer Tank.....	9
HSS Control Panel.....	9
Rotational Control Panel.....	9
HSS Hydronic Air Handlers.....	10-12
Multizone Flow Centers.....	13
Smart Pump Multizone	14
Flush Carts & Accessories.....	15
Pumps.....	15
HSS Replacement Parts	15
Flow Meter Tool, Flowmeters.....	15-16
MSA's, PT Plugs, Hose Kits.....	16
Brass Fittings.....	16-17
Glycol Tester.....	17
Geothermal Valves, Regulator Valves.....	17
Poly-Roller.....	17
Underground Tape.....	17
Socket Fusion Couplings, Elbows, Tees, Caps, Reducer Bushings.....	17-19
U-Bends, U-Do Elbows, Male Adapters.....	19
Female Adapters, Tees & Couplings w/ Female Adapters.....	19-20
Male Elbows, Ball Valve Assembly.....	20
Flush Valves.....	20
Molded & Fabricated Tees.....	21-22
Butt Fusion- Reducers, Male Adapters, Tees, Caps, Elbows.....	21-22
Molded & Fabricated Tees.....	21-22
Butt Fusion Flange Adapters.....	22-23
Butterfly Valves.....	23
Back-up Rings, MJ Adapters.....	23-24
Service Saddles, Branch Saddles.....	24-25
Electrofusion- Couplings, Elbow, Branch Saddles.....	25-27
Polyball Valves.....	27
Brass Ball Valves, Union Ball Valves.....	27
Compression Fittings, Test Caps.....	27-28
Headers-Parallel & Alt, Header Kits.....	28-29
PVC Manifolds, PE Manifolds.....	29-30
Socket Fusion Tools.....	29-30
Butt Fusion Machines.....	30-31
Electrofusion Machines & Accessories.....	31

FREIGHT ALLOWANCE SYMBOLS

(*) LABELED ITEMS IN THIS PRICE BOOK COUNT TOWARDS NET FREIGHT TERMS SHOWN ON MULTLIER SHEET.

(†) LABELED ITEMS IN THIS PRICE BOOK COUNT TOWARDS NET FREIGHT TERMS SHOWN ON MULTLIER SHEET.

(‡) LABELED ITEMS IN THIS PRICE BOOK COUNT TOWARDS FLOW CENTER FREIGHT TERMS SHOWN ON MULTLIER SHEET.

NON-PRESSURIZED FLOW CENTERS

May 2022 Price Sheet



KT Flow Center – The “Knocked – Down” Cost Effective Solution (Field Assembly Required)

Part Number	# of Pump	Voltage	Amps (HI Spd)	HP (ea.)	Inlet*/Outlet Size	Ht. (in.)	Width (in.)	Depth (in.)	Wgt.	List Price	Freight Allowance
0-230KFCSS	0	-	-	-	1-1/4" FPT	42	6 1/2	18	28	\$1850	‡
3-230KFCSS-G	3	230	2.7	1/6	1-1/4" FPT	42	6 1/2	18	35	\$2795	‡
3-230KFCSS-M	3	230	5.25	1/6	1-1/4" FPT	42	6 1/2	18	35	\$2795	‡

*Comes with Brass Union.

Model Number Letter (G=Grundfos 26-99-3 Speed)

(M=Grundfos 26-116F Single Speed)

GT® Flow Center - The Industry Standard Solution

Part Number	# of Pump	Voltage	Amps (HI Spd)	HP (ea.)	Inlet*/Outlet Size	Ht. (in.)	Width (in.)	Depth (in.)	Wgt.	List Price	Freight Allowance
NPFCSS	0	-	-	-	1" FPT	34	6 1/2	15 1/2	28	\$1450	‡

*Comes with Brass Union.



GT® Flow Center - The Industry Standard Solution

Part Number	# of Pump	Voltage	Amps (HI Spd)	HP (ea.)	Inlet*/Outlet Size	Ht. (in.)	Width (in.)	Depth (in.)	Wgt.	List Price	Freight Allowance
1-230PFCSS-G	1	230	.90	1/6	1" FPT	34	6 1/2	15 1/2	40	\$1850	‡
1-230PFCSS-M	1	230	1.75	1/6	1" FPT	34	6 1/2	15 1/2	40	\$1850	‡

*Comes with Brass Union.

Model Number Letter (G=Grundfos 26-99-3 Speed)

(M=Grundfos 26-116F Single Speed)

GT® Flow Center - The Industry Standard Solution

Part Number	# of Pump	Voltage	Amps (HI Spd)	HP (ea.)	Inlet*/Outlet Size	Ht. (in.)	Width (in.)	Depth (in.)	Wgt.	List Price	Freight Allowance
2-230PFCSS-G	2	230	1.8	1/6	1" FPT	34	6 1/2	15 1/2	53	\$2110	‡
2-230PFCSS-M	2	230	3.5	1/6	1" FPT	34	6 1/2	15 1/2	53	\$2110	‡

*Comes with Brass Union.

Model Number Letter (G=Grundfos 26-99-3 Speed)

(M=Grundfos 26-116F Single Speed)



NON-PRESSURIZED FLOW CENTERS

May 2022 Price Sheet



QT® Flow Center – The Premium Choice for the Refined Customer

Part Number	# of Pump	Voltage	Amps (HI Spd)	HP (ea.)	Inlet/Outlet (FPT)	Ht. (in.)	Width (in.)	Depth (in.)	Wgt.	List Price	Freight Allowance
1-230QFC-G	1	230	.90	1/6	1" Swivel	34	7.5	14 3/4	40	\$1850	‡
1-230QFC-M	1	230	1.75	1/6	1" Swivel	34	7.5	14 3/4	40	\$1850	‡

Model Number Letter (G=Grundfos 26-99-3 Speed)

(M=Grundfos 26-116F Single Speed)



QT® Flow Center – The Premium Choice for the Refined Customer

Part Number	# of Pump	Voltage	Amps (HI Spd)	HP (ea.)	Inlet/Outlet (FPT)	Ht. (in.)	Width (in.)	Depth (in.)	Wgt.	List Price	Freight Allowance
N02-230QFC	0	-	-	-	1" Swivel	34	7.5	14 3/4	34	\$1475	‡
2-230QFC-G	2	230	1.8	1/6	1" Swivel	34	7.5	14 3/4	53	\$2195	‡
2-230QFC-M	2	230	3.5	1/6	1" Swivel	34	7.5	14 3/4	53	\$2195	‡

Model Number Letter (G=Grundfos 26-99-3 Speed)

(M=Grundfos 26-116F Single Speed)

XT Flow Center - When Normal Pumping Isn't Enough

Part Number	# of Pump	Voltage	Amps (HI Spd)	HP (ea.)	Inlet/Outlet (FPT)	Ht. (in.)	Width (in.)	Depth (in.)	Wgt.	List Price	Freight Allowance
2-230XTSS	2	230	3.4	1/6	1 1/4"	48 1/2	10	22 1/2	99	\$3600	‡

Grundfos 43-100F 3 Speed



NON-PRESSURIZED FLOW CENTERS

May 2022 Price Sheet



EA® Series Stainless Steel– Special 2 Circuit Applications (Field Assembly Required)

Part Number	# of Pump	Voltage	Amps (HI Spd)	HP (ea.)	Inlet/Outlet Size MPT X FPT	Ht. (in.)	Width (in.)	Depth (in.)	Wgt.	List Price	Freight Allowance
0-0EASS230KFC	0	-	-	-	1-1/4" / 1-1/4"	42 1/2	9 1/4	21	41	\$1980	‡
1-1EASS230KFC-G	2	230	1.8	1/6	1-1/4" / 1-1/4"	42 1/2	9 1/4	21	61	\$2650	‡
1-1EASS230KFC-M	2	230	3.5	1/6	1-1/4" / 1-1/4"	42 1/2	9 1/4	21	61	\$2650	‡

Model Number Letter (G=Grundfos 26-99-3 Speed)

(M=Grundfos 26-116F Single Speed)

EA® Series Stainless Steel– Special 2 Circuit Applications (Field Assembly Required)

Part Number	# of Pump	Voltage	Amps (HI Spd)	HP (ea.)	Inlet/Outlet Size MPT X FPT	Ht. (in.)	Width (in.)	Depth (in.)	Wgt.	List Price	Freight Allowance
2-1EASS230KFC-G	3	230	2.7	1/6	1-1/4" / 1-1/4"	42 1/2	9 1/4	21	72	\$2950	‡
2-1EASS230KFC-M	3	230	5.25	1/6	1-1/4" / 1-1/4"	42 1/2	9 1/4	21	72	\$2950	‡

Model Number Letter (G=Grundfos 26-99-3 Speed)

(M=Grundfos 26-116F Single Speed)



EA® Series Stainless Steel– Special 2 Circuit Applications (Field Assembly Required)

Part Number	# of Pump	Voltage	Amps (HI Spd)	HP (ea.)	Inlet/Outlet Size MPT X FPT	Ht. (in.)	Width (in.)	Depth (in.)	Wgt.	List Price	Freight Allowance
2-2EASS230KFC-G	4	230	3.6	1/6	1-1/4" / 1-1/4"	42 1/2	9 1/4	21	83	\$3400	‡
2-2EASS230KFC-M	4	230	7.0	1/6	1-1/4" / 1-1/4"	42 1/2	9 1/4	21	83	\$3400	‡

Model Number Letter (G=Grundfos 26-99-3 Speed)

(M=Grundfos 26-116F Single Speed)



NON-PRESSURIZED FLOW CENTERS

May 2022 Price Sheet



QT® - EA Flow Center – The Premium Choice for the Refined Customer

Part Number	# of Pump	Voltage	Amps (HI Spd)	HP (ea.)	Inlet*/Outlet Size	Ht. (in.)	Width (in.)	Depth (in.)	Wgt.	List Price	Freight Allowance
0-0EASS230QFC	0	-	-	-	1-1/4"	43 1/2	21 1/2	14	87	\$2625	‡
1-1EASS230QFC-G	2	230	1.8	1/6	1-1/4"	43 1/2	21 1/2	14	87	\$3600	‡
1-1EASS230QFC-M	2	230	3.5	1/6	1-1/4"	43 1/2	21 1/2	14	87	\$3600	‡

*Comes with Brass Union.

Model Number Letter (G=Grundfos 26-99-3 Speed)

(M=Grundfos 26-116F Single Speed)

QT® - EA Flow Center – The Premium Choice for the Refined Customer

Part Number	# of Pump	Voltage	Amps (HI Spd)	HP (ea.)	Inlet*/Outlet Size	Ht. (in.)	Width (in.)	Depth (in.)	Wgt.	List Price	Freight Allowance
2-1EASS230QFC-G	3	230	2.7	1/6	1-1/4"	43 1/2	21 1/2	14	92	\$3900	‡
2-1EASS230QFC-M	3	230	5.25	1/6	1-1/4"	43 1/2	21 1/2	14	92	\$3900	‡

*Comes with Brass Union.

Model Number Letter (G=Grundfos 26-99-3 Speed)

(M=Grundfos 26-116F Single Speed)



QT® - EA Flow Center – The Premium Choice for the Refined Customer

Part Number	# of Pump	Voltage	Amps (HI Spd)	HP (ea.)	Inlet*/Outlet Size	Ht. (in.)	Width (in.)	Depth (in.)	Wgt.	List Price	Freight Allowance
2-2EASS230QFC-G	4	230	3.6	1/6	1-1/4"	43 1/2	21 1/2	14	98	\$4100	‡
2-2EASS230QFC-M	4	230	7.0	1/6	1-1/4"	43 1/2	21 1/2	14	98	\$4100	‡

*Comes with Brass Union.

Model Number Letter (G=Grundfos 26-99-3 Speed)

(M=Grundfos 26-116F Single Speed)

PRESSURIZED FLOW CENTERS

May 2022 Price Sheet



B&D Pressurized Operating System (1 Pump)

Part Number	# of Pump	Voltage	Amps (HI Spd)	HP (ea.)	Inlet/Outlet (FPT)	Ht. (in.)	Width (in.)	Depth (in.)	Wgt.	List Price	Freight Allowance
1-230POS-G	1	230	.90	1/6	1" Swivel	12 1/2	8	12 1/2	29	\$1400	‡
1-230POS-M	1	230	1.75	1/6	1" Swivel	12 1/2	8	12 1/2	29	\$1400	‡

Model Number Letter Model Number Letter (G=Grundfos 26-99-3 Speed) (M=Grundfos 26-116F Single Speed)



B&D Pressurized Operating System (2 Pump)

Part Number	# of Pump	Voltage	Amps (HI Spd)	HP (ea.)	Inlet/Outlet (FPT)	Ht. (in.)	Width (in.)	Depth (in.)	Wgt.	List Price	Freight Allowance
2-230POS-G	2	230	1.8	1/6	1" Swivel	12 1/2	8	12 1/2	37	\$1825	‡
2-230POS-M	2	230	3.5	1/6	1" Swivel	12 1/2	8	12 1/2	37	\$1825	‡

Model Number Letter Model Number Letter (G=Grundfos 26-99-3 Speed) (M=Grundfos 26-116F Single Speed)

HSS® BUFFER TANK

Current Program 2022 HSS® Buffer Tank Program

HSS® Buffer Tank Details

- Made to Order Non-Pressurized Stainless Steel Buffer Tank.
- Designed for 6 to 10 gallons per ton of buffer volume.
- Available in Heating Only or Heat/Cool applications
- Hydronic Side Pump Options (115V)
- Water/Water Side Options (230V)
- We can also provide a Backup Boiler Pump (115V)
- Water Temp not to exceed 150 Degree Max.
- B&D Designed Controls wiring decal provided with all units

Call for Price & Leadtime



Call for Buffer Tank Build Sheet & Configuration Help

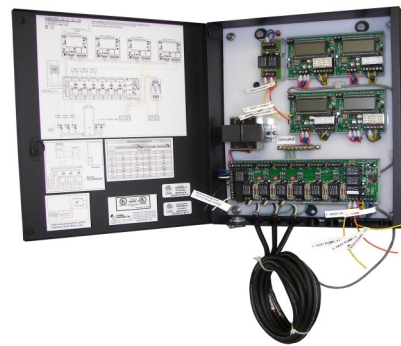
HSS® CONTROL PANEL

HSS® Buffer Tank Controls are available without a Tank purchase

Control Panel Details

- Made to Order with minimal lead-times
- Easy-to-Mount for added location flexibility
- Available in Heating Only or Heat/Cool applications
- Small Control Box can handle up to 6 zones
Dimensions (12" W x 15" L x 3" D)
- Large Control Box can handle up to 12 zones
Dimensions (12" W x 18" L x 3" D)
- B&D Designed Controls wiring decal provided with all units

Call for Price & Leadtime



Call for Controls Build Sheet & Configuration Help

ROTATIONAL CONTROL PANEL

Increase the functionality of your entire system by incorporating rotational start of equipment!

Rotational Control Panel Details

- 1 Control package connects up to 4 devices
- Pre-wired to accommodate 2, 3 or 4 equipment applications
- Easy adjustment for rotating operation of 2, 3 or 4 devices
- Field adjustable settings for Dual-Stage time delay
- Easy-to-Mount for added location flexibility
- Control Box Dimensions 15" H x 12" W x 3" D
- Easy to install on pre-existing HSS Buffer Tank System
- B&D Designed Controls wiring decal provided with all units

Call for Price & Leadtime



B&D Part# BDCB-RC4HP

HSS® HYDRONIC AIR HANDLER

May 2022 Price Sheet

1 Ton Units



Left Side Return / Up Flow Configuration Shown

APPROX WT (LBS)	DIMENSIONS
100	23"W x 24"H x 28"D

MODEL #	DESCRIPTION	LIST PRICE
BDAH-01E0500-1AH	1 TON HORIZONTAL / LEFT RETURN / NO BACKUP HEAT	\$2,995.00
BDAH-01E0500-1BH	1 TON HORIZONTAL / RIGHT RETURN / NO BACKUP HEAT	\$2,995.00

MODEL #	DESCRIPTION	LIST PRICE
BDAH-01E0500-1AU	1 TON UP FLOW / LEFT RETURN / NO BACKUP HEAT	\$2,995.00
BDAH-01E0500-1BU	1 TON UP FLOW / RIGHT RETURN / NO BACKUP HEAT	\$2,995.00
BDAH-01E0503-1AU	1 TON UP FLOW / LEFT RETURN / 3KW BACKUP HEAT	\$3,150.00
BDAH-01E0503-1BU	1 TON UP FLOW / RIGHT RETURN / 3KW BACKUP HEAT	\$3,150.00

MODEL #	DESCRIPTION	LIST PRICE
BDAH-01E0500-1AD	1 TON DOWN FLOW / LEFT RETURN / NO BACKUP HEAT	\$2,995.00
BDAH-01E0500-1BD	1 TON DOWN FLOW / RIGHT RETURN / NO BACKUP HEAT	\$2,995.00
BDAH-01E0503-1AD	1 TON DOWN FLOW / LEFT RETURN / 3KW BACKUP HEAT	\$3,150.00
BDAH-01E0503-1BD	1 TON DOWN FLOW / RIGHT RETURN / 3KW BACKUP HEAT	\$3,150.00

2 Ton Units



Left Side Return / Up Flow Configuration Shown

APPROX WT (LBS)	DIMENSIONS
105	23"W x 24"H x 28"D

MODEL #	DESCRIPTION	LIST PRICE
BDAH-02E0900-1AH	2 TON HORIZONTAL / LEFT RETURN / NO BACKUP HEAT	\$3,250.00
BDAH-02E0900-1BH	2 TON HORIZONTAL / RIGHT RETURN / NO BACKUP HEAT	\$3,250.00

MODEL #	DESCRIPTION	LIST PRICE
BDAH-02E0900-1AU	2 TON UP FLOW / LEFT RETURN / NO BACKUP HEAT	\$3,250.00
BDAH-02E0900-1BU	2 TON UP FLOW / RIGHT RETURN / NO BACKUP HEAT	\$3,250.00
BDAH-02E0905-1AU	2 TON UP FLOW / LEFT RETURN / 5KW BACKUP HEAT	\$3,395.00
BDAH-02E0905-1BU	2 TON UP FLOW / RIGHT RETURN / 5KW BACKUP HEAT	\$3,395.00

MODEL #	DESCRIPTION	LIST PRICE
BDAH-02E0900-1AD	2 TON DOWN FLOW / LEFT RETURN / NO BACKUP HEAT	\$3,250.00
BDAH-02E0900-1BD	2 TON DOWN FLOW / RIGHT RETURN / NO BACKUP HEAT	\$3,250.00
BDAH-02E0905-1AD	2 TON DOWN FLOW / LEFT RETURN / 5KW BACKUP HEAT	\$3,395.00
BDAH-02E0905-1BD	2 TON DOWN FLOW / RIGHT RETURN / 5KW BACKUP HEAT	\$3,395.00

1 & 2 Ton HSS® AIR HANDLER MODEL NUMBER INFORMATION

BDAH-	E			-	1	A	U
TONNAGE 01 = 1 TON 02 = 2 TON	MOTOR TYPE E = ECM	CFM 05 = 500CFM 1 TON 09 = 950CFM 2 TON	KW 00 = None 03 = 3KW 05 = 5KW	VOLTAGE 1 = 240V / 208V 60Hz / 1Phase	LEFT/RIGHT RETURN CONFIGURATION A = Left (Standard) B = Right	Air Flow Direction Configuration U = Up flow (Standard) D = Down flow H = Horizontal	NOTE: THIS IS THE SIDE THE FILTER WILL BE LOCATED ON.
			MAX KW / UNIT 1 TON - 3KW 2 TON - 5KW				

NOTE: BACK-UP HEAT NOT AVAILABLE ON HORIZONTAL FLOW CONFIGURATION

HSS® HYDRONIC AIR HANDLER

May 2022 Price Sheet

3 Ton Units



Left Side Return / Up Flow Configuration Shown

APPROX WT (LBS)	DIMENSIONS
136	28"W x 30"H x 31"D

MODEL #	DESCRIPTION	LIST PRICE
BDAH-03E1300-1AH	3 TON HORIZONTAL / LEFT RETURN / NO BACKUP HEAT	\$3,675.00
BDAH-03E1300-1BH	3 TON HORIZONTAL / RIGHT RETURN / NO BACKUP HEAT	\$3,675.00

MODEL #	DESCRIPTION	LIST PRICE
BDAH-03E1300-1AU	3 TON UP FLOW / LEFT RETURN / NO BACKUP HEAT	\$3,675.00
BDAH-03E1300-1BU	3 TON UP FLOW / RIGHT RETURN / NO BACKUP HEAT	\$3,675.00
BDAH-03E1310-1AU	3 TON UP FLOW / LEFT RETURN / 10KW BACKUP HEAT	\$3,925.00
BDAH-03E1310-1BU	3 TON UP FLOW / RIGHT RETURN / 10KW BACKUP HEAT	\$3,925.00

MODEL #	DESCRIPTION	LIST PRICE
BDAH-03E1300-1AD	3 TON DOWN FLOW / LEFT RETURN / NO BACKUP HEAT	\$3,675.00
BDAH-03E1300-1BD	3 TON DOWN FLOW / RIGHT RETURN / NO BACKUP HEAT	\$3,675.00
BDAH-03E1310-1AD	3 TON DOWN FLOW / LEFT RETURN / 10KW BACKUP HEAT	\$3,925.00
BDAH-03E1310-1BD	3 TON DOWN FLOW / RIGHT RETURN / 10KW BACKUP HEAT	\$3,925.00

4 Ton Units



Left Side Return / Up Flow Configuration Shown

APPROX WT (LBS)	DIMENSIONS
146	28"W x 30"H x 31"D

MODEL #	DESCRIPTION	LIST PRICE
BDAH-04E1700-1AH	4 TON HORIZONTAL / LEFT RETURN / NO BACKUP HEAT	\$3,995.00
BDAH-04E1700-1BH	4 TON HORIZONTAL / RIGHT RETURN / NO BACKUP HEAT	\$3,995.00

MODEL #	DESCRIPTION	LIST PRICE
BDAH-04E1700-1AU	4 TON UP FLOW / LEFT RETURN / NO BACKUP HEAT	\$3,995.00
BDAH-04E1700-1BU	4 TON UP FLOW / RIGHT RETURN / NO BACKUP HEAT	\$3,995.00
BDAH-04E1710-1AU	4 TON UP FLOW / LEFT RETURN / 10KW BACKUP HEAT	\$4,195.00
BDAH-04E1710-1BU	4 TON UP FLOW / RIGHT RETURN / 10KW BACKUP HEAT	\$4,195.00
BDAH-04E1715-1AU	4 TON UP FLOW / LEFT RETURN / 15KW BACKUP HEAT	\$4,395.00
BDAH-04E1715-1BU	4 TON UP FLOW / RIGHT RETURN / 15KW BACKUP HEAT	\$4,395.00

MODEL #	DESCRIPTION	LIST PRICE
BDAH-04E1700-1AD	4 TON DOWN FLOW / LEFT RETURN / NO BACKUP HEAT	\$3,995.00
BDAH-04E1700-1BD	4 TON DOWN FLOW / RIGHT RETURN / NO BACKUP HEAT	\$3,995.00
BDAH-04E1710-1AD	4 TON DOWN FLOW / LEFT RETURN / 10KW BACKUP HEAT	\$4,195.00
BDAH-04E1710-1BD	4 TON DOWN FLOW / RIGHT RETURN / 10KW BACKUP HEAT	\$4,195.00
BDAH-04E1715-1AD	4 TON DOWN FLOW / LEFT RETURN / 15KW BACKUP HEAT	\$4,395.00
BDAH-04E1715-1BD	4 TON DOWN FLOW / RIGHT RETURN / 15KW BACKUP HEAT	\$4,395.00

3 & 4 Ton HSS® AIR HANDLER MODEL NUMBER INFORMATION

BDAH-	E		-	1	A	U
TONNAGE 03 = 3 TON 04 = 4 TON	MOTOR TYPE E = ECM	CFM 13 = 1350CFM 3 TON 17 = 1750CFM 4 TON	KW 00 = None 10 = 10KW 15 = 15KW	VOLTAGE 1 = 240V / 208V 60Hz / 1Phase	LEFT/RIGHT RETURN CONFIGURATION A = Left (Standard) B = Right	Air Flow Direction Configuration U = Up flow (Standard) D = Down flow H = Horizontal
MAX KW / UNIT 3 TON - 10KW 4 TON - 10KW or 15KW			NOTE: THIS IS THE SIDE THE FILTER WILL BE LOCATED ON.			

NOTE: BACK-UP HEAT NOT AVAILABLE ON HORIZONTAL FLOW CONFIGURATION

HSS® HYDRONIC AIR HANDLER

May 2022 Price Sheet

5 Ton Units



Left Side Return / Up Flow Configuration Shown

APPROX WT (LBS)	DIMENSIONS
165	28"W x 30"H x 31"D

MODEL #	DESCRIPTION	LIST PRICE
BDAH-05E2100-1AH	5 TON HORIZONTAL / LEFT RETURN / NO BACKUP HEAT	\$4,285.00
BDAH-05E2100-1BH	5 TON HORIZONTAL / RIGHT RETURN / NO BACKUP HEAT	\$4,285.00

MODEL #	DESCRIPTION	LIST PRICE
BDAH-05E2100-1AU	5 TON UP FLOW / LEFT RETURN / NO BACKUP HEAT	\$4,285.00
BDAH-05E2100-1BU	5 TON UP FLOW / RIGHT RETURN / NO BACKUP HEAT	\$4,285.00
BDAH-05E2110-1AU	5 TON UP FLOW / LEFT RETURN / 10KW BACKUP HEAT	\$4,475.00
BDAH-05E2110-1BU	5 TON UP FLOW / RIGHT RETURN / 10KW BACKUP HEAT	\$4,475.00
BDAH-05E2115-1AU	5 TON UP FLOW / LEFT RETURN / 15KW BACKUP HEAT	\$4,675.00
BDAH-05E2115-1BU	5 TON UP FLOW / RIGHT RETURN / 15KW BACKUP HEAT	\$4,675.00

MODEL #	DESCRIPTION	LIST PRICE
BDAH-05E2100-1AD	5 TON DOWN FLOW / LEFT RETURN / NO BACKUP HEAT	\$4,285.00
BDAH-05E2100-1BD	5 TON DOWN FLOW / RIGHT RETURN / NO BACKUP HEAT	\$4,285.00
BDAH-05E2110-1AD	5 TON DOWN FLOW / LEFT RETURN / 10KW BACKUP HEAT	\$4,475.00
BDAH-05E2110-1BD	5 TON DOWN FLOW / RIGHT RETURN / 10KW BACKUP HEAT	\$4,475.00
BDAH-05E2115-1AD	5 TON DOWN FLOW / LEFT RETURN / 15KW BACKUP HEAT	\$4,675.00
BDAH-05E2115-1BD	5 TON DOWN FLOW / RIGHT RETURN / 15KW BACKUP HEAT	\$4,675.00

5 Ton HSS® AIR HANDLER MODEL NUMBER INFORMATION

BDAH-		E			-	1	A	U
TONNAGE 05 = 5 TON	MOTOR TYPE E = ECM	CFM 21 = 2150CFM 5 TON	KW 00 = None 10 = 10KW 15 = 15KW	VOLTAGE 1 = 240V / 208V 60Hz / 1Phase	LEFT/RIGHT RETURN CONFIGURATION A = Left (Standard) B = Right	Air Flow Direction Configuration U = Up flow (Standard) D = Down flow H = Horizontal	NOTE: THIS IS THE SIDE THE FILTER WILL BE LOCATED ON.	
MAX KW /UNIT 5 TON - 10KW or 15KW								

NOTE: BACK-UP HEAT NOT AVAILABLE ON HORIZONTAL FLOW CONFIGURATION

HSS® AIR HANDLER REPLACEMENT PARTS

Part Number	Size Description	List Price
B2-30T	24V-30 MIN AJUSTABLE TIME DELAY AIR HANDLER	CALL FOR PRICE
ZT-4X-60	4- CIRCUIT RELAY BOARD (AIR HANDLER)	CALL FOR PRICE
HCT-09D0K04164	208-240-1 Ph TRANSFORMER (AH TRANSFORMER)	CALL FOR PRICE
AH3KWHEAT-FAB	3KW HEAT STRIP ASSEMBLY	CALL FOR PRICE
AH5KWHEAT-FAB	5KW HEAT STRIP ASSEMBLY	CALL FOR PRICE
AH10KWHEAT-FAB	10KW HEAT STRIP ASSEMBLY	CALL FOR PRICE
AH15KWHEAT-FAB	15KW HEAT STRIP ASSEMBLY	CALL FOR PRICE
AIRFILTER22	1 x 18 x 22 AIR FILTER (MERV 8)	CALL FOR PRICE
AIRFILTER25	1 x 25 x 25 AIR FILTER (MERV 8)	CALL FOR PRICE
AHEM0003/1T	(1/3HP) 1 TON BLOWER MOTOR (FACTORY PROGRAMED)	CALL FOR PRICE
AHEM0003/2T	(1/3HP) 2 TON BLOWER MOTOR (FACTORY PROGRAMED)	CALL FOR PRICE
AHEM0005/3T	(1/2HP) 3 TON BLOWER MOTOR (FACTORY PROGRAMED)	CALL FOR PRICE
AHEM0005/4T	(1/2HP) 4 TON BLOWER MOTOR (FACTORY PROGRAMED)	CALL FOR PRICE
AHEM0010/5T	(1HP) 5 TON BLOWER MOTOR (FACTORY PROGRAMED)	CALL FOR PRICE
AHCOIL1T	1 TON AIR HANDLER COIL	CALL FOR PRICE
AHCOIL2T	2 TON AIR HANDLER COIL	CALL FOR PRICE
AHCOIL3T	3 TON AIR HANDLER COIL	CALL FOR PRICE
AHCOIL4T	4 TON AIR HANDLER COIL	CALL FOR PRICE
AHCOIL5T	5 TON AIR HANDLER COIL	CALL FOR PRICE

MULTIZONE FLOW CENTER

May 2022 Price Sheet

Call For Quote & Full Model Part Number

Multizone - B Model

B - Model - 3 Circuit Header Max

1, 2 & 3 Circuit Options Available

Call For Other Custom Configurations

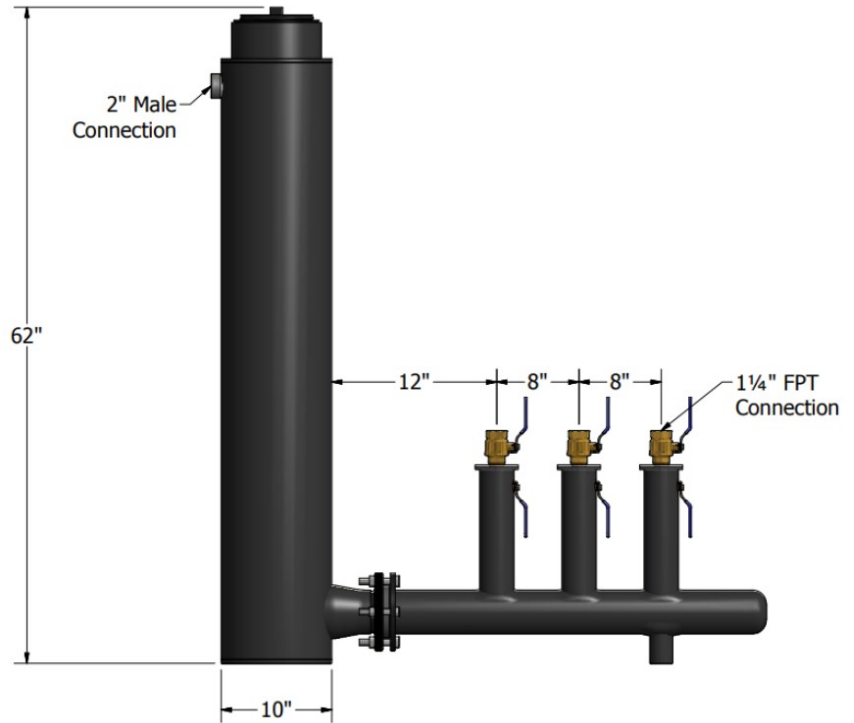


Pump Options:

26-99 230V Pumps (3-Speed Pumps)

26-116 230V Pumps (Single Speed Pumps)

43-100 230V Pumps (3-Speed Pumps)



NOTE: Multizone image above is of product after field assembly without pumps

Multizone - C Model

C - Model - 4 Circuit Header Max

1, 2, 3 & 4 Circuit Options Available

Call For Other Custom Configurations

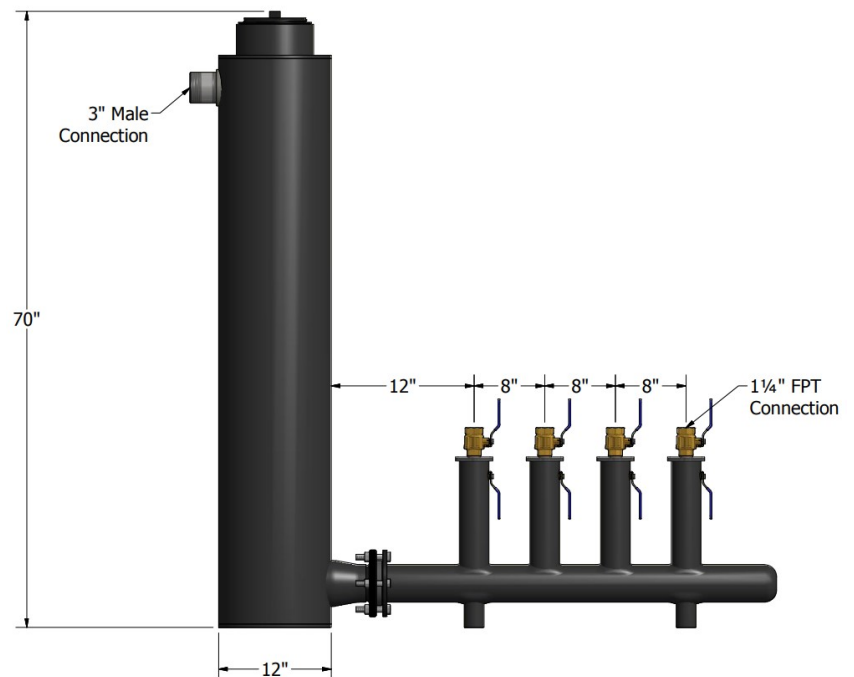


Pump Options:

26-99 230V Pumps (3-Speed Pumps)

26-116 230V Pumps (Single Speed Pumps)

43-100 230V Pumps (3-Speed Pumps)



NOTE: Multizone image above is of product after field assembly without pumps

SMART PUMP MULTIZONE

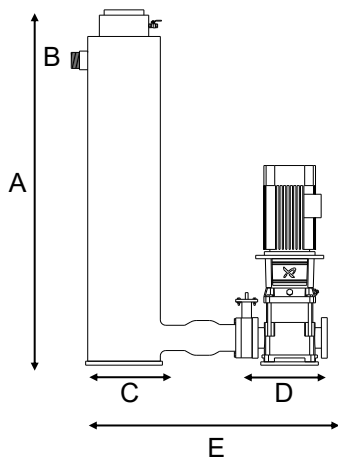
May 2022 Price Sheet

Call For Quote



Smart Pump Flow Selection (Single Pump)

Smart Pump Model#	B&D Part#	Tank Size	Volume (gal)	Motor Size	Normal GPM Flow	Normal Head Pressure	List Price
CR10-2	SPFC-B122-2-230-1	B	17.5	2HP	40-62	30-50	Call For Pricing
CR32-1-1	SPFC-C13T-3-230-1	C	20.8	3HP	60-120	40-60	Call For Pricing
CR32-1	SPFC-C13S-5-230-1	C	20.8	5HP	65-130	50-70	Call For Pricing
CR45-1-1	SPFC-D14T-5-230-1	D	29.5	5HP	130-180	50-70	Call For Pricing



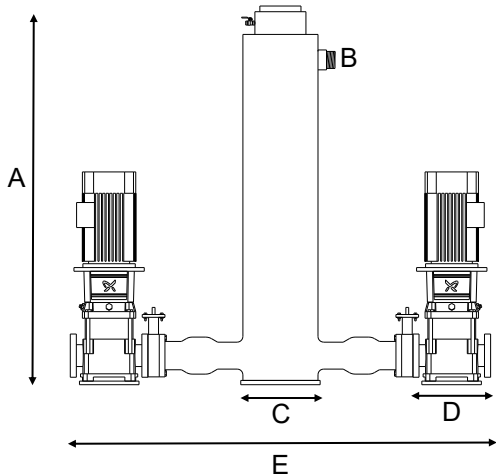
Smart Pump Flow Dimensions (Single Pump)

Pump End	A	B	C	D	E
CR10-2	62"	2" MPT	10"	11 1/2"	38"
CR32-1-1	69"	3" MPT	12"	12 1/2"	39"
CR32-1	69"	3" MPT	12"	12 1/2"	39"
CR45-1-1	69"	4" MPT	14"	13"	41"

NOTE: ALL MEASUREMENTS ARE APPROXIMATE

Smart Pump Flow Selection (Redundant Pump)

Smart Pump Model#	B&D Part#	Tank Size	Volume (gal)	Motor Size	Normal GPM Flow	Normal Head Pressure	List Price
CR10-2	SPFC-B222-2-230-2	B	17.5	2HP	40-62	30-50	Call For Pricing
CR32-1-1	SPFC-C23T-3-230-2	C	20.8	3HP	60-120	40-60	Call For Pricing
CR32-1	SPFC-C23S-5-230-2	C	20.8	5HP	65-130	50-70	Call For Pricing
CR45-1-1	SPFC-D24T-5-230-2	D	29.5	5HP	130-180	50-70	Call For Pricing



Smart Pump Flow Dimensions (Redundant Pump)

Pump End	A	B	C	D	E
CR10-2	62"	2" MPT	12"	11 1/2"	66"
CR32-1-1	69"	3" MPT	12"	12 1/2"	69"
CR32-1	69"	3" MPT	12"	12 1/2"	69"
CR45-1-1	69"	4" MPT	14"	13"	69"

NOTE: ALL MEASUREMENTS ARE APPROXIMATE

Part Number	Size Description	List Price	Freight Allowance	Catalog Page #
WD17535	Digital Thermometer	\$42.13	*	21
B2-30T	30 Minute Adjustable Timer (Air Handler)	\$118.75	*	21
ZT-4X-60	4 Circuit Relay Board (Air Handler)	\$143.75	*	21
HCT-09D0K04164	24V 50 VA 120V Transformer (Air Handler)	\$57.50		21
B3-6CR	Pump Controller Relay (Buffer Tank)	\$577.50	*	21
H2-2TC	2-Stage Elect Temp Controller (Buffer Tank)	\$337.50	*	21
2876710	24V 50 VA 120V Transformer (Buffer Tank)	\$50.00	*	21
ZT-12X-A	2 Circuit Relay Board (Buffer Tank)	\$60.56	*	21
BC6	Thermistor 6' Cable	\$58.93		21
740-0583	15 AMP Fuse	\$2.15	*	21
740-0551	3 AMP Fuse	\$1.85	*	21
740-5189	1 AMP Fuse	\$2.06	*	21
GT304SS2	Stainless Steel 2 HP Purge Cart Complete w/ 1¼" Hose	\$7,975.00	†	22
2ST1G4F4	2HP Centrifugal Pump 115/208-230/1Phase	\$4,347.50	†	22
GT304SS2HK10	Hose Kit For 2HP Flush Cart (2)10FT 1¼" Hoses	\$620.00	†	22
PC55S	1" Swivel x 1" Plug - Purge Cart Accessory	\$143.75	*	22
PC65S	1" Swivel x 1¼" Plug - Purge Cart Accessory	\$201.25	*	22
CAM65	1¼" Socket x 1" Plug Adapter	\$161.72	*	22
110223-322P	ASTRO 280, Black Coated 230V 3-Speed Pump	Call For Price	*	22
110223-324P	ASTRO 286, Black Coated 230V Single Speed Pump	Call For Price		-
G15-58F	15-58 Grundfos 115V 3-Speed Pump	\$406.57		25
G1-2699/3	26-99 Grundfos 115V 3-Speed Pump	\$722.18		25
G3-2699/3	26-99 Grundfos 230V 3-Speed Pump	\$716.80		25
G2-116F	26-116 Grundfos 230V Single Speed Pump	\$681.60		25
G43-100F	43-100 Grundfos 230V 3-Speed Pump	\$819.52		25
UP26COVER	Grundfos Cover Plate for 26-99 & 26-116	\$63.01		25
G591203	¾" Grundfos Brass Flange Ball Valve w/ Handle (Sold Individually)	\$88.59		25
G591204	1" Grundfos Brass Flange Ball Valve w/ Handle (Sold Individually)	\$118.88		25
G591205	1¼" Grundfos Brass Flange Ball Valve w/ Handle (Sold Individually)	\$129.19		25
G510231	Grundfos Ball Valve Gasket (Flat 1¼)	Call For Price		25
G40403	Webstone Ball Valve Gasket (Flat 1¼)	Call For Price		25
G41405	1¼" Webstone Brass Flange Ball Valve w/ Handle (Sold Individually)	Call For Price		25
G81404HV	1" Propress by Flange Ball Valve	\$137.11		25
G81405HV	1¼" Propress by Flange Ball Valve	\$158.58		25
G81424HV	1" 3-Way Geo Ball Valve (Propress by Flange)	\$208.93		25
G81424HV-FAB	1" 3-Way Geo Ball Valve (Swivel Nut by Flange)	Call For Price		25
G26-INS	Grundfos Foam Insulator Shell for 26-99 / 26-116 Pumps	\$42.68		25
1WFT17	Flow Meter Tool (1-20 Gallon) Includes Case	\$538.16	†	26
1WFT30R	Flow Meter Tool (3-30 Gallon) Without Case	\$1,348.19	†	26
1WFTC40	Flow Meter Tool (40 Gallon) Without Case	\$1,449.94	†	26
1FCW	Flow Center Wrench	\$38.16	*	26
F40750LN-12	Flow Meter (1-10 GPM ¾" F/NPT)	Call For Price		27
F40750LN-16	Flow Meter (1-10 GPM 1" F/NPT)	Call For Price		27
F41000LN-12	Flow Meter (2-20 GPM, ¾" F/NPT)	Call For Price		27
F41000LN-16	Flow Meter (2-20 GPM 1" F/NPT)	Call For Price		27
F451003LHN	Flow Meter (3-30 GPM, 1" FPT)	Call For Price		27
F451004LHN	Flow Meter (4-40 GPM, 1" FPT)	Call For Price		27
F452060LHN	Flow Meter (6 TO 60 GPM, 2" F/NPT)	Call For Price		27
MSA55-G	1" MPT X BRASS SWIVEL (Lead Free)	\$68.00	*	28

Part Number	Size Description	List Price	Freight Allowance	Catalog Page #
N76-02	¼" MPT P/T Plug	\$9.62	*	28
N78-02	½" MPT P/T Plug	\$13.37	*	28
GA80-01	1/16" S.S. Pressure Gauge Probe w/Cover	\$41.63	*	28
GA80-02	1/8" S.S. Pressure Gauge Probe w/Cover	\$44.40	*	28
GA80-03XL	1/8" S.S. Pressure Gauge Probe-Extended Length	\$49.72	*	28
WP060	Pressure Gauge (4" Gauge)	\$55.08	*	28
PGNL25-100-G	2½" Pressure Gauge, Liquid Filled	\$29.60	*	28
HK34-1-10	¾" x 1' x 10 Ft Closed Loop Hose Kit	\$265.00	*	29
HK34-1-12	¾" x 1" x 12 Ft Closed Loop Hose Kit	\$275.00	*	29
HK1-10	1" x 10 Ft Closed Loop Hose Kit	\$265.85	*	29
HK1-12	1" x 12 Ft Closed Loop Hose Kit	\$284.30	*	29
HK1-1/4-12	1¼" x 12 Ft Closed Loop Hose Kit	\$460.00	*	29
HK1-1-1/4-10	1" x 1¼" x 10 Ft Closed Loop Hose Kit	\$440.63	*	29
HK1-1-1/4-12	1" x 1¼" x 12 Ft Closed Loop Hose Kit	\$474.11	*	29
HKWH01-200	1" Rubber Hose 200 PSI (Per Foot)	\$12.01		29
HKWH0125-150	1¼" Rubber Hose 150 PSI (Per Foot)	\$19.25		29
WS13053	Size 20, ¾" 1¾" Clamp Diameter all Stainless Steel	\$4.76	*	29
RBFA100	1" FPT x 1" Barb Straight Adapter	\$33.72	*	30
RBMA75	¾" MPT x ¾" Barb Straight Adapter	\$21.92	*	30
CRBMA100	1" MPT x 1" Barb Straight Adapter	\$23.57	*	30
RBMA2510	1" MPT x 1¼" Barb Straight Adapter	\$32.07	*	30
CRBMA1025	1¼" MPT x 1" Barb Straight Adapter	\$27.91	*	30
CRBMA125	1¼" MPT x 1¼" Barb Straight Adapter	\$32.66	*	30
BRC1PE4	1" Brass Barb x ¾" Fusion Coupling	\$65.31	*	30
BRC1PE5	1" Brass Barb x 1" Fusion Coupling	\$65.31	*	30
BRC1PE6	1" Brass Barb x 1¼" Fusion Coupling	\$65.31	*	30
BRC1PE7	1" Brass Barb x 1½" Fusion Coupling (Fabricated)	Call For Price	*	30
BRC125PE6	1¼" Brass Barb x 1¼" Fusion Coupling	\$82.50	*	30
BRC1PE8	1" Brass Barb x 2" Fusion Coupling	\$82.50	*	30
RGSE10725	¾" MPT x 1" Barb Elbow w/PT Port	\$27.13	*	30
RGSE10025	1" MPT x 1" Barb Elbow w/PT Port	\$37.59	*	30
RGSE12525	1¼" MPT x 1¼" Barb Elbow w/PT Port	\$54.11	*	30
RBCP7510	¾" Insert x 1" Insert Brass	Call For Price	*	30
RBCP100	1" Insert x 1" Insert Brass	\$31.34	*	30
RBCP1025	1" Insert x 1¼" Insert Brass	Call For Price	*	30
RBCP125	1¼" Insert x 1¼" Insert Brass	\$38.90	*	30
RBHE100	¾" MPT x 1" Barb Elbow	\$36.47	*	30
RBHE1000	1" MPT x 1" Barb Elbow	\$36.51	*	30
RBHE1025	1" MPT x 1¼" Barb Elbow	\$69.19	*	30
RBHE125	1¼" MPT x 1¼" Barb Elbow	\$55.76	*	30
WGC2F	2 Gallon Regulator Valve	\$104.17	*	31
WGC3F	3 Gallon Regulator Valve	\$104.17	*	31
WGC4F	4 Gallon Regulator Valve	\$104.17	*	31
WGC5F	5 Gallon Regulator Valve	\$104.17	*	31
WGC6F	6 Gallon Regulator Valve	\$104.17	*	31
WGC7F	7 Gallon Regulator Valve	\$104.17	*	31
WGC8F	8 Gallon Regulator Valve	\$104.17	*	31
WGC9F	9 Gallon Regulator Valve	\$104.17	*	31
WGC10F	10 Gallon Regulator Valve	\$104.17	*	31

Part Number	Size Description	List Price	Freight Allowance	Catalog Page #
WGC11.5F	11.5 Gallon Regulator Valve	\$104.17	*	31
T5101-G2	¾" Threaded Geothermal Valve	\$394.82	†	32
T557-G3	1" SWT Geothermal Valve	\$418.39	†	32
T555-173RP	¾" Geothermal Head for Valve	\$261.78	†	32
205TF	Threaded Plastic Solenoid Valve	\$162.80	†	33
Z100AAT2	Taco Zone Sentry Valve 1" NPT 2-Way 24V	\$323.04	†	33
Z075T2-1	Taco Zone Sentry Valve ¾" NPT 2-Way 24V	\$400.71	†	33
V075T2G-1	¾" NPT 2-Way Geo Sentry Geothermal Zone Valve	\$406.61	†	33
ELO42TC	¾" Test Cap (¾" x ¼" FPT)	\$50.78	*	34,62
ELO52TC	1" Test Cap (1" x ¼" FPT)	\$56.31	*	34,62
ELO62TC	1¼" Test Cap (1¼" x ¼" FPT)	\$101.49	*	34,62
ELO72TC	1½" Test Cap (1½" x ¼" FPT)	\$152.00	*	34,62
ELO82TC	2" Test Cap (2" x ¼" FPT)	\$214.18	*	34,62
UGDT1000-2	2" x 1000 FT Underground Detectable Tape	\$100.85	*	34
UGDT1000-2-12C	2" x 1000 FT Underground Detectable Tape (Case 12)	\$938.40	*	34
UGDT1000-3	3" x 1000 FT Underground Detectable Tape	\$96.60	*	34
UGDT1000-3-6C	3" x 1000 FT Underground Detectable Tape (Case 6)	\$548.46	*	34
UGDT1000-6	6" x 1000 FT Underground Detectable Tape	\$248.40	*	34
UGDT1000-6-4C	6" x 1000 FT Underground Detectable Tape (Case 4)	\$797.81	*	34
BPE4-PVC4	¾" SDR11 Butt Fusion x ¾" SCH 80 PVC Transition	Call For Price	*	34
BPE5-PVC5	1" SDR11 Butt Fusion x 1" SCH 80 PVC Transition	Call For Price	*	34
BPE6-PVC6	1¼" SDR11 Butt Fusion x 1¼" SCH 80 PVC Transition	Call For Price	*	34
BPE7-PVC7	1½" SDR11 Butt Fusion x 1¼" SCH 80 PVC Transition	Call For Price	*	34
BPE8-PVC8	2" SDR11 Butt Fusion x 2" SCH 80 PVC Transition	Call For Price	*	34
BPE10-PVC10	3" SDR11 Butt Fusion x 3" SCH 80 PVC Transition	Call For Price	*	34
BPE11-PVC11	4" SDR11 Butt Fusion x 4" SCH 80 PVC Transition	Call For Price	*	34
KIT-AGV	Test Kit w/Gauge, Valve, Hose Hook-up	\$175.38	*	34
WPR	Poly-Pipe-Roller	\$2,195.33	*	35
SPC44	¾" x ¾" Fusion Coupling	\$3.50	*	36
SPC54	1" x ¾" Fusion Coupling	\$14.05	*	36
SPC55	1" x 1" Fusion Coupling	\$3.90	*	36
SPC64	1¼" x ¾" Fusion Coupling	\$21.55	*	36
SPC65	1¼" x 1" Fusion Coupling	\$10.24	*	36
SPC66-SL	1¼" x 1¼" Fusion Coupling (Slim Line)	\$8.08	*	36
SPC66	1¼" x 1¼" Fusion Coupling	\$4.63	*	36
SPC74	1½" x ¾" Fusion Coupling	\$23.30	*	36
SPC75	1½" x 1" Fusion Coupling	\$23.30	*	36
SPC76	1½" x 1¼" Fusion Coupling	\$23.45	*	36
SPC77	1½" x 1½" Fusion Coupling	\$5.98	*	36
SPC85	2" x 1" Fusion Coupling	\$23.95	*	36
SPC86	2" x 1¼" Fusion Coupling	\$13.68	*	36
SPC87	2" x 1½" Fusion Coupling	\$24.20	*	36
SPC88	2" x 2" Fusion Coupling	\$6.30	*	36
SPC88-HD	2" x 2" Fusion Coupling (Heavy Duty Thickness)	\$9.10	*	36
SPC1010	3" x 3" Fusion Coupling	\$20.60	*	36
SPE44	¾" x ¾" Fusion Elbow	\$4.95	*	37
SPE54	1" x ¾" Fusion Elbow	\$6.40	*	37
SPE55	1" x 1" Fusion Elbow	\$5.65	*	37
SPE64	1¼" x ¾" Fusion Elbow	\$6.65	*	37

Part Number	Size Description	List Price	Freight Allowance	Catalog Page #
SPE65	1¼" x 1" Fusion Elbow	\$6.65	*	37
SPE66	1¼" x 1¼" Fusion Elbow	\$8.12	*	37
SPE66-SL	1¼" x 1¼" Fusion Elbow (Slim Line)	\$9.21	*	37
SPE77	1½" x 1½" Fusion Elbow	\$12.22	*	37
SPE86	2" x 1¼" Fusion Elbow	\$21.58	*	37
SPE88	2" x 2" Fusion Elbow	\$19.72	*	37
SPE77-45	1½" x 1½" Fusion 45° Elbow (Fab)	\$40.91	*	37
SPE55-45	1" x 1" Fusion 45° Elbow	\$9.74	*	37
SPE66-45	1¼" x 1¼" Fusion 45° Elbow	\$12.92	*	37
SPE88-45	2" x 2" Fusion 45° Elbow	\$24.25	*	37
SPT444	¾" x ¾" x ¾" Fusion Tee	\$6.15	*	38
SPT554	1" x 1" x ¾" Fusion Tee	\$10.79	*	38
SPT555	1" x 1" x 1" Fusion Tee	\$8.00	*	38
SPT644	1¼" x ¾" x ¾" Fusion Tee	\$11.78	*	38
SPT655	1¼" x 1" x 1" Fusion Tee	\$11.78	*	38
SPT664	1¼" x 1¼" x ¾" Fusion Tee	\$11.78	*	38
SPT665	1¼" x 1¼" x 1" Fusion Tee	\$11.78	*	38
SPT666	1¼" x 1¼" x 1¼" Fusion Tee	\$11.90	*	38
SPT744	1½" x ¾" x ¾" Fusion Tee	\$30.71	*	38
SPT764	1½" x 1¼" x ¾" Fusion Tee	\$25.79	*	38
SPT765	1½" x 1¼" x 1" Fusion Tee	\$25.79	*	38
SPT766	1½" x 1¼" x 1¼" Fusion Tee	\$25.79	*	38
SPT774	1½" x 1½" x ¾" Fusion Tee	\$25.79	*	38
SPT775	1½" x 1½" x 1" Fusion Tee	\$25.79	*	38
SPT776	1½" x 1½" x 1¼" Fusion Tee	\$25.79	*	38
SPT777	1½" x 1½" x 1½" Fusion Tee	\$19.82	*	38
SPT864	2" x 1¼" x ¾" Fusion Tee	\$28.05	*	38
SPT865	2" x 1¼" x 1" Fusion Tee	\$28.05	*	38
SPT866	2" x 1¼" x 1¼" Fusion Tee	\$27.14	*	38
SPT874	2" x 1½" x ¾" Fusion Tee	\$28.05	*	38
SPT875	2" x 1½" x 1" Fusion Tee	\$28.05	*	38
SPT876	2" x 1½" x 1¼" Fusion Tee	\$28.05	*	38
SPT884	2" x 2" x ¾" Fusion Tee	\$27.14	*	38
SPT885	2" x 2" x 1" Fusion Tee	\$27.22	*	38
SPT886	2" x 2" x 1¼" Fusion Tee	\$27.14	*	38
SPT888	2" x 2" x 2" Fusion Tee	\$23.68	*	38
SPCP4	¾" Socket Fusion Cap	\$5.03	*	39
SPCP5	1" Socket Fusion Cap	\$5.60	*	39
SPCP6	1¼" Socket Fusion Cap	\$6.80	*	39
SPCP7	1½" Socket Fusion Cap	\$9.00	*	39
SPCP8	2" Socket Fusion Cap	\$8.62	*	39
SPRB64	1¼" x ¾" Socket Fusion Reducer Bushing	\$8.62	*	39
SPRB65	1½" x 1" Socket Fusion Reducer Bushing	\$8.62	*	39
SPRB74	1½" x ¾" Socket Fusion Reducer Bushing	\$9.41	*	39
SPRB75	1½" x 1" Socket Fusion Reducer Bushing	\$9.41	*	39
SPRB76	1½" x 1¼" Socket Fusion Reducer Bushing	\$9.41	*	39
SPRB84	2" x ¾" Socket Fusion Reducer Bushing	\$11.90	*	39
SPRB85	2" x 1" Socket Fusion Reducer Bushing	\$12.09	*	39
SPRB86	2" x 1¼" Socket Fusion Reducer Bushing	\$12.09	*	39

Part Number	Size Description	List Price	Freight Allowance	Catalog Page #
SPRB87	2" x 1½" Socket Fusion Reducer Bushing	\$12.09	*	39
SFUB4B	¾" U-Bend Assembly	\$70.00	*	40
SFUB4BC	¾" U-Bend w/ Coupling	\$89.69	*	40
SFUB5B	1" U-Bend Assembly	\$70.00	*	40
SFUB5BC	1" U-Bend w/ Coupling	\$89.69	*	40
SPEU44	¾" Fusion U-Do Elbow (Limited Quantities)	\$5.13	*	40
SPEU55	1" Fusion U-Do Elbow (Limited Quantities)	\$6.49	*	40
SPEU-66F	1¼" U-Bend F-Elbow (Limited Quantities)	\$9.47	*	40
SPMA44	¾" Fusion x ¾" Male Adapter	\$28.34	*	41
SPMA54	1" Fusion x ¾" Male Adapter	\$31.65	*	41
SPMA55	1" Fusion x 1" Male Adapter	\$32.55	*	41
SPMA64	1¼" Fusion x ¾" Male Adapter	\$32.23	*	41
SPMA65	1¼" Fusion x 1" Male Adapter	\$34.35	*	41
SPMA66	1¼" Fusion x 1¼" Male Adapter	\$62.78	*	41
SPMA77	1½" Fusion x 1½" Male Adapter	\$90.25	*	41
SPMA88	2" Fusion x 2" Male Adapter	\$97.60	*	41
SPMA44LF	¾" PE Socket Fusion x ¾" Brass Male Adapter - Lead Free	\$41.45	*	-
SPMA55LF	1" PE Socket Fusion x 1" Brass Male Adapter - Lead Free	\$44.80	*	-
SPMA66LF	1¼" PE Socket Fusion x 1¼" Brass Male Adapter - Lead Free	\$85.90	*	-
SPMA77LF	1½" PE Socket Fusion x 1½" Brass Male Adapter - Lead Free	\$122.70	*	-
SPMA88LF	2" PE Socket Fusion x 2" Brass Male Adapter - Lead Free	\$141.15	*	-
SPFA44	¾" x ¾" Fusion Coupling Female Adapter	\$29.15	*	41
SPFA53	1" x ½" Fusion Coupling Female Adapter	\$21.50	*	41
SPFA54	1" x ¾" Fusion Coupling Female Adapter	\$29.21	*	41
SPFA55	1" x 1" Fusion Coupling Female Adapter	\$32.55	*	41
SPFA64	1¼" x ¾" Fusion Coupling Female Adapter	\$32.23	*	41
SPFA65	1¼" x 1" Fusion Coupling Female Adapter	\$34.35	*	41
SPFA66	1¼" x 1¼" Fusion Coupling Female Adapter	\$62.78	*	41
SPFA77	1½" x 1½" Fusion Coupling Female Adapter	\$90.25	*	41
SPFA87	2" x 1½" Fusion Coupling Female Adapter	\$90.25	*	41
SPFA88	2" x 2" Fusion Coupling Female Adapter	\$97.60	*	41
SPMT453	¾" x 1" Fusion MPT H.P. Tee (Limited Quantities Available)	\$32.67	*	42
SPMT553	1" x 1" Fusion MPT H.P. Tee (Limited Quantities Available)	\$37.33	*	42
SPST443	¾" x ¾" x ½" Fusion FPT (Limited Quantities Available)	\$16.01	*	42
SPST553	1" x 1" x ½" Fusion x FPT (Limited Quantities Available)	\$20.30	*	42
SPSC42	¾" x ¼" Fusion Coupling Female Adapter (Limited Quantities Available)	\$19.46	*	42
SPSC52	1" x ¼" Fusion Coupling Female Adapter (Limited Quantities Available)	\$16.43	*	42
SPSC54	1" x ¾" Fusion Coupling Female Adapter (Limited Quantities Available)	\$26.83	*	43
SPE-MA55	1" Fusion Elbow x 1" Male Adapter (Limited Quantities Available)	\$31.97	*	42
SPE-MA66	1¼" Fusion Elbow x 1¼" Male Adapter (Limited Quantities Available)	\$50.17	*	42
BPEV55	1" Valve Assembly w/ P.E. Pipe	\$141.43	*	43
BPEV66	1¼" Valve Assembly w/ P.E. Pipe	\$188.57	*	43
SPEV54C	1" Fusion Ball Valve w/ ¾" Coupling	\$147.32	*	43
SPEV55C	1" Fusion Ball Valve w/ 1" Coupling	\$159.11	*	43
SPEV66C	1¼" Fusion Ball Valve w/ 1¼" Coupling	\$200.36	*	43
SPMC45S	¾" x 1" Fusion MNT Coupling (Limited Quantities Available)	\$24.24	*	43
SPMC55S	1" x 1" Fusion MNT Coupling (Limited Quantities Available)	\$29.62	*	43
SPMC66S	1¼" Fusion x 1¼" MNT Adapter (Limited Quantities Available)	\$28.22	*	43
PEVT566S	P.E. Flow Center Flush Tee Straight 1" x 1¼" Fusion	\$214.50	*	44

Part Number	Size Description	List Price	Freight Allowance	Catalog Page #
PEVT666S	P.E. Straight Valved Flush Tee 1¼" x 1¼" Fusion	\$209.00	*	44
PEVTM566S	P.E. 1" Male Flush Tee Straight 1¼" x 1¼" Fusion	\$253.00	*	44
PEVTM666S	P.E. 1¼" Male Flush Tee Straight 1¼" x 1¼" Fusion	Call For Price	*	44
PE2VT666S	P.E. Flush Tee, 2 Valved 1¼" x 1¼" Straight	\$328.65	*	44
SPMT355V	1" Heat Pump Connection Assembly w/PT Port x 1" Fusion	\$188.57	*	44
SPMT356V	1" Heat Pump Connection Assembly w/PT Port 1¼" x 1¼" Fusion	\$194.46	*	44
SPMT366V	1¼" Heat Pump Connection Assembly w/PT Port x 1¼" Fusion	Call For Price	*	44
BPVA6	1¼" PE By-Pass Assembly with Flush Ports	\$475.00	*	44
BPVA8	2" PE By-Pass Assembly with Flush Ports	\$1,148.44	*	44
BFPSSMA44	¾" MPT Stainless Steel x ¾" Butt Fusion	\$64.56	*	45
BFPSSMA55	1" MPT Stainless Steel x 1" Butt Fusion	\$69.49	*	45
BFPSSMA66	1¼" MPT Stainless Steel x 1¼" Butt Fusion	\$74.42	*	45
BFPSSMA77	1½" MPT Stainless Steel x 1½" Butt Fusion	\$79.35	*	45
BFPSSMA88	2" MPT Stainless Steel x 2" Butt Fusion	\$94.14	*	45
BFPSSMA10	3" MPT Stainless Steel x 3" Butt Fusion	\$169.51	*	45
BFPSSMA11	4" MPT Stainless Steel x 4" Butt Fusion	\$242.65	*	45
BFPSSMA12	6" MPT Stainless Steel x 6" Butt Fusion	\$445.05	*	45
BFPRC54	1" x ¾" Butt Fusion Reducer	\$17.76	*	45
BFPRC65	1¼" x 1" Butt Fusion Reducer	\$18.12	*	45
BFPRC74	1½" x ¾" Butt Fusion Reducer	\$18.49	*	45
BFPRC75	1½" x 1" Butt Fusion Reducer	\$19.81	*	45
BFPRC76	1½" x 1¼" Butt Fusion Reducer	\$20.26	*	45
BFPRC85	2" x 1" Butt Fusion Reducer	\$20.26	*	45
BFPRC86	2" x 1¼" Butt Fusion Reducer	\$20.26	*	45
BFPRC87	2" x 1½" Butt Fusion Reducer	\$23.02	*	45
BFPRC108	3" x 2" Butt Fusion Reducer	\$24.20	*	45
BFPRC118	4" x 2" Butt Fusion Reducer	\$37.95	*	45
BFPRC1110	4" x 3" Butt Fusion Reducer	\$34.60	*	45
BFPRC1210	6" x 3" Butt Fusion Reducer	\$101.01	*	45
BFPRC1211	6" x 4" Butt Fusion Reducer	\$97.71	*	45
BFPRC1411	8" x 4" Butt Fusion Reducer	\$144.44		45
BFPRC1412	8" x 6" Butt Fusion Reducer	\$175.84		45
BFPRC1612	10" x 6" Butt Fusion Reducer	\$260.55		45
BFPRC1614	10" x 8" Butt Fusion Reducer	\$227.97		45
BFPRC1814	12" x 8" Butt Fusion Reducer	\$358.27		45
BFPRC1816	12" x 10" Butt Fusion Reducer	\$508.26	*	45
BFPE5	1" Butt Fusion 90° Elbow	\$13.30	*	46
BFPE6	1¼" Butt Fusion 90° Elbow	\$16.22	*	46
BFPE7	1½" Butt Fusion 90° Elbow	\$19.00	*	46
BFPE8	2" Butt Fusion 90° Elbow	\$20.21	*	46
BFPE10	3" Butt Fusion 90° Elbow	\$37.93	*	46
BFPE11	4" Butt Fusion 90° Elbow	\$47.00	*	46
BFPE12	6" Butt Fusion 90° Elbow	\$116.23	*	46
BFPE14	8" Butt Fusion 90° Elbow	\$323.43		46
BFPE16	10" Butt Fusion 90° Elbow	\$1,017.65		46
BFPE18	12" Butt Fusion 90° Elbow	\$963.13		46
BFPE5-45	1" Butt Fusion 45° Elbow	\$18.36	*	46
BFPE6-45	1¼" Butt Fusion 45° Elbow	\$19.16	*	46
BFPE7-45	1½" Butt Fusion 45° Elbow	\$22.08	*	46

Part Number	Size Description	List Price	Freight Allowance	Catalog Page #
BFPE8-45	2" Butt Fusion 45° Elbow	\$20.21	*	46
BFPE10-45	3" Butt Fusion 45° Elbow	\$37.93	*	46
BFPE11-45	4" Butt Fusion 45° Elbow	\$47.00	*	46
BFPE12-45	6" Butt Fusion 45° Elbow	\$116.23	*	46
BFPE14-45	8" Butt Fusion 45° Elbow	\$300.03		46
BFPE16-45	10" Butt Fusion 45° Elbow	\$1,057.53		46
BFPE18-45	12" Butt Fusion 45° Elbow	\$1,157.17		46
BFPY8	2" Butt Fusion Wye	\$34.50	*	46
BFPCP6	1¼" Butt Fusion Cap	\$8.77	*	47
BFPCP7	1-1/2" Butt Fusion Cap	\$13.08	*	47
BFPCP8	2" Butt Fusion Cap	\$8.88	*	47
BFPCP10	3" Butt Fusion Cap	\$19.26	*	47
BFPCP11	4" Butt Fusion Cap	\$34.80	*	47
BFPCP12	6" Butt Fusion Cap	\$87.98	*	47
BFPCP14	8" Butt Fusion Cap	\$120.75		47
BFPCP16	10" Butt Fusion Cap	\$533.60		47
BFPCP18	12" Butt Fusion Cap	\$1,071.11		47
BFPT5	1" Butt Fusion Tee	\$12.64	*	47
BFPT6	1¼" Butt Fusion Tee	\$17.73	*	47
BFPT7	1½" Butt Fusion Tee	\$21.40	*	47
BFPT8	2" Butt Fusion Tee	\$23.50	*	47
BFPT10	3" Butt Fusion Tee	\$42.73	*	47
BFPT11	4" Butt Fusion Tee	\$65.79	*	47
BFPT12	6" Butt Fusion Tee	\$153.47	*	47
BFPT14	8" Butt Fusion Tee	\$332.24		47
BFPT16	10" Butt Fusion Tee	\$1,072.00		47
BFPT18	12" Butt Fusion Tee	\$1,520.06		47
BFPT0808-4B	2" x 2" x ¾" Butt Fusion Tee (Molded)	\$32.55	*	48
BFPT0808-5B	2" x 2" x 1" Butt Fusion Tee (Molded)	\$32.55	*	48
BFPT0808-6B	2" x 2" x 1¼" Butt Fusion Tee (Molded)	\$32.55	*	48
BFPT1010-5B	3" x 3" x 1" Butt Tee (Molded)	\$54.83	*	48
BFPT1010-6B	3" x 3" x 1¼" Butt Tee (Molded)	\$54.83	*	48
BFPT1010-8B	3" x 3" x 2" Butt Tee (Molded)	\$54.83	*	48
BFPT1106	4" X 4" x 1¼" Butt Fusion Tee (Molded)	\$68.51	*	48
BFPT1108	4" x 4" x 2" Butt Fusion Tee (Molded)	\$68.51	*	48
BFPT1110	4" x 4" x 3" Butt Fusion Tee (Molded)	\$82.24	*	48
BFPT1208	6" x 6" x 2" Butt Fusion Tee (Molded)	\$163.53	*	48
BFPT1210	6" x 6" x 3" Butt Fusion Tee (Molded)	\$173.29	*	48
BFPT1211	6" x 6" x 4" Butt Fusion Tee (Molded)	\$185.02	*	48
BFPT1414-11B	8" x 8" x 4" Butt Fusion Tee (Molded)	\$332.24		48
BFPT1412	8" x 8" x 6" Butt Fusion Tee (Molded)	\$361.12		48
BFPT0808-4S	2" Butt x 2" Butt x ¾" Socket (Fabricated)	\$40.41	*	49
BFPT0808-5S	2" Butt x 2" Butt x 1" Socket (Fabricated)	\$43.29	*	49
BFPT0808-6S	2" Butt x 2" Butt x 1¼" Socket (Fabricated)	\$49.06	*	49
BFPT1010-4S	3" Butt x 3" Butt x ¾" Socket (Fabricated)	\$60.61	*	49
BFPT1010-5S	3" Butt x 3" Butt x 1" Socket (Fabricated)	\$62.05	*	49
BFPT1010-6S	3" Butt x 3" Butt x 1¼" Socket (Fabricated)	\$66.38	*	49
BFPT1010-7S	3" Butt x 3" Butt x 1½" Socket (Fabricated)	Call For Price	*	49
BFPT1010-8S	3" Butt x 3" Butt x 2" Socket (Fabricated)	\$69.27	*	49

Part Number	Size Description	List Price	Freight Allowance	Catalog Page #
BFPT1111-4S	4" Butt x 4" Butt x ¾" Socket (Fabricated)	\$72.15	*	49
BFPT1111-5S	4" Butt x 4" Butt x 1" Socket (Fabricated)	\$77.93	*	49
BFPT1111-6S	4" Butt x 4" Butt x 1¼" Socket (Fabricated)	\$79.37	*	49
BFPT1111-7S	4" Butt x 4" Butt x 1½" Socket (Fabricated)	Call For Price	*	49
BFPT1111-8S	4" Butt x 4" Butt x 2" Socket (Fabricated)	\$80.81	*	49
BFPT1212-5S	6" Butt x 6" Butt x 1" Socket (Fabricated)	Call For Price	*	49
BFPT1212-6S	6" Butt x 6" Butt x 1¼" Socket (Fabricated)	Call For Price	*	49
BFPT1212-7S	6" Butt x 6" Butt x 1½" Socket (Fabricated)	Call For Price	*	49
BFPT1212-8S	6" Butt x 6" Butt x 2" Socket (Fabricated)	Call For Price	*	49
BFPFA5	1" Butt Fusion Flange Adapter - (NO BEVEL)	\$17.74	*	50
BFPFA6	1¼" Butt Fusion Flange Adapter - (NO BEVEL)	\$18.86	*	50
BFPFA7	1½" Butt Fusion Flange Adapter - (NO BEVEL)	\$28.89	*	50
BFPFA8-T	2" Butt Fusion Flange Adapter - Tapered	\$32.05	*	50
BFPFA10-T	3" Butt Fusion Flange Adapter - Tapered	\$35.44	*	50
BFPFA11-T	4" Butt Fusion Flange Adapter - Tapered	\$49.24	*	50
BFPFA12-T	6" Butt Fusion Flange Adapter - Tapered	\$77.91	*	50
BFPFA14-T	8" Butt Fusion Flange Adapter - Tapered	\$119.95		50
BFPFA16-T	10" Butt Fusion Flange Adapter - Tapered	\$191.98		50
BFPFA18-T	12" Butt Fusion Flange Adapter - Tapered	\$279.03		50
BFPFA20	14" Butt Fusion Flange Adapter	\$423.40		50
BFPFA22	16" Butt Fusion Flange Adapter	\$582.14		50
BFPFA24	18" Butt Fusion Flange Adapter	\$688.02		50
BFPFA30	24" Butt Fusion Flange Adapter	\$1,111.37		50
DFIBR5	1" IPS Metal Back-Up Ring 150#	\$21.68	*	50
DFIBR6	1¼" IPS Metal Back-Up Ring 150#	\$21.44	*	50
DFIBR7	1½" IPS Metal Back-Up Ring 150#	\$23.21	*	50
DFIBR8	2" IPS Metal Back-Up Ring 150#	\$19.71	*	50
DFIBR10	3" IPS Metal Back-Up Ring 150#	\$25.04	*	50
DFIBR11	4" IPS Metal Back-Up Ring 150#	\$39.43	*	50
DFIBR12	6" IPS Metal Back-Up Ring 150#	\$62.56	*	50
DFIBR14	8" IPS Metal Back-Up Ring 150#	\$100.11		50
DFIBR16	10" IPS Metal Back-Up Ring 150#	\$140.85		50
DFIBR18	12" IPS Metal Back-Up Ring 150#	\$176.78		50
DFIBR20	14" IPS Metal Back-Up Ring 150#	\$219.51		50
DFIBR22	16" IPS Metal Back-Up Ring 150#	\$226.27		50
DFIBR24	18" IPS Metal Back-Up Ring 150#	\$317.08		50
DFIBR30	24" IPS Metal Back-Up Ring 150#	\$450.52		50
DFIBRSS-6	1¼" IPS Stainless Steel Back-Up Ring 304	\$114.08	*	50
DFIBRSS-7	1½" IPS Stainless Steel Back-Up Ring 304	\$129.49	*	50
DFIBRSS-8	2" IPS Stainless Steel Back-Up Ring 304	\$160.54	*	50
DFIBRSS-10	3" IPS Stainless Steel Back-Up Ring 304	\$220.34	*	50
DFIBRSS-11	4" IPS Stainless Steel Back-Up Ring 304	\$258.98	*	50
DFIBRSS-12	6" IPS Stainless Steel Back-Up Ring 304	\$322.46	*	50
GASREDF182	2" #150 Red Rubber 1/8FF Gasket	Call For Price		51
GASREDF183	3" #150 Red Rubber 1/8FF Gasket	Call For Price		51
GASREDF184	4" #150 Red Rubber 1/8FF Gasket	Call For Price		51
GASREDF186	6" #150 Red Rubber 1/8FF Gasket	Call For Price		51
GASREDF188	8" #150 Red Rubber 1/8FF Gasket	Call For Price		51
NLJ300D	2" Cast Iron Lug w/EPDM 416 SS-Shaft w/ Lever	Call For Price		51

Part Number	Size Description	List Price	Freight Allowance	Catalog Page #
NLJ300F	3" Cast Iron Lug w/EPDM 416 SS-Shaft w/ Lever	Call For Price		51
NLJ300H	4" Cast Iron Lug w/EPDM 416 SS-Shaft w/ Lever	Call For Price		51
NLJ300K	6" Cast Iron Lug w/EPDM 416 SS-Shaft w/ Lever	Call For Price		51
NLJ300L	8" Cast Iron Lug w/EPDM 416 SS-Shaft w/ Lever	Call For Price		51
NLJ310M	10" Cast Iron Lug w/EPDM 416 SS-Shaft w/Gear Operator	Call For Price		51
NLJ310N	12" Cast Iron Lug w/EPDM 416 SS-Shaft w/Gear Operator	Call For Price		51
BFPMJ8	2" IPS x IPS MJ Adapter SDR11 HDPE-4710 w/out Stiffners	\$91.19	*	52
BFPMJ10	3" IPS x DIPS MJ Adapter SDR11 HDPE-4710 w/out Stiffners	\$133.38	*	52
BFPMJ11	4" IPS x DIPS MJ Adapter SDR11 HDPE-4710 w/out Stiffners	\$169.37	*	52
BFPMJ12	6" IPS x DIPS MJ Adapter SDR11 HDPE-4710 w/out Stiffners	\$199.61	*	52
BFPMJ14	8" IPS x DIPS MJ Adapter SDR11 HDPE-4710 w/out Stiffners	\$260.08		52
BFPMJ16	10" IPS x DIPS MJ Adapter SDR11 HDPE-4710 w/out Stiffners	\$344.75		52
BFPMJ18	12" IPS x DIPS MJ Adapter SDR11 HDPE-4710 w/out Stiffners	\$438.20		52
BFPMJ20	14" IPS x DIPS MJ Adapter SDR11 HDPE-4710 w/out Stiffners	\$542.04		52
BFPMJ22	16" IPS x DIPS MJ Adapter SDR11 HDPE-4710 w/out Stiffners	\$797.20		52
BFPMJ24	18" IPS x DIPS MJ Adapter SDR11 HDPE-4710 w/out Stiffners	\$1,035.00		52
BFPMJ30	24" IPS x DIPS MJ Adapter SDR11 HDPE-4710 w/out Stiffners	\$1,640.67		52
BFPMJD10	3" DIPS x DIPS MJ Adapter SDR11 HDPE-4710 w/out Stiffners	\$144.50	*	52
BFPMJD11	4" DIPS x DIPS MJ Adapter SDR11 HDPE-4710 w/out Stiffners	\$169.37	*	52
BFPMJD12	6" DIPS x DIPS MJ Adapter SDR11 HDPE-4710 w/out Stiffners	\$214.96	*	52
BFPMJD14	8" DIPS x DIPS MJ Adapter SDR11 HDPE-4710 w/out Stiffners	\$280.09		52
BFPMJD16	10" DIPS x DIPS MJ Adapter SDR11 HDPE-4710 w/out Stiffners	\$371.27		52
BFPMJD18	12" DIPS x DIPS MJ Adapter SDR11 HDPE-4710 w/out Stiffners	\$449.46		52
BFPMJD20	14" DIPS x DIPS MJ Adapter SDR11 HDPE-4710 w/out Stiffners	\$542.04		52
BFPMJD22	16" DIPS x DIPS MJ Adapter SDR11 HDPE-4710 w/out Stiffners	\$797.20		52
BFPMJD24	18" DIPS x DIPS MJ Adapter SDR11 HDPE-4710 w/out Stiffners	\$1,035.00		52
BFPMJD30	24" DIPS x DIPS MJ Adapter SDR11 HDPE-4710 w/out Stiffners	\$1,640.67		52
BFPMJ10SS	3" IPS x DIPS MJ Adapter SDR11 HDPE-4710 (W/S. SLEEVE)	\$145.15	*	53
BFPMJ11SS	4" IPS x DIPS MJ Adapter SDR11 HDPE-4710 (W/S. SLEEVE)	\$264.32	*	53
BFPMJ12SS	6" IPS x DIPS MJ Adapter SDR11 HDPE-4710 (W/S. SLEEVE)	\$313.01	*	53
BFPMJ14SS	8" IPS x DIPS MJ Adapter SDR11 HDPE-4710 (W/S. SLEEVE)	\$340.86		53
BFPMJ16SS	10" IPS x DIPS MJ Adapter SDR11 HDPE-4710 (W/S. SLEEVE)	\$389.53		53
BFPMJ18SS	12" IPS x DIPS MJ Adapter SDR11 HDPE-4710 (W/S. SLEEVE)	\$434.93		53
BFPMJ20SS	14" IPS x DIPS MJ Adapter SDR11 HDPE-4710 (W/S. SLEEVE)	\$850.45		53
BFPMJ22SS	16" IPS x DIPS MJ Adapter SDR11 HDPE-4710 (W/S. SLEEVE)	\$941.34		53
DFIMJK08	2" Metal MJ Kit 0153 - Includes Gland, Ring, Bolts	\$62.70	*	53
DFIMJK10	3" Metal MJ Kit 0153 - Includes Gland, Ring, Bolts	\$69.00	*	53
DFIMJK11	4" Metal MJ Kit 0153 - Includes Gland, Ring, Bolts	\$96.60	*	53
DFIMJK12	6" Metal MJ Kit 0153 - Includes Gland, Ring, Bolts	\$126.50	*	53
DFIMJK14	8" Metal MJ Kit 0153 - Includes Gland, Ring, Bolts	\$147.20		53
DFIMJK16	10" Metal MJ Kit 0153 - Includes Gland, Ring, Bolts	\$207.00		53
DFIMJK18	12" Metal MJ Kit 0153 - Includes Gland, Ring, Bolts	\$216.20		53
DFIMJK20	14" Metal MJ Kit 0153 - Includes Gland, Ring, Bolts	\$345.00		53
DFIMJK22	16" Metal MJ Kit 0153 - Includes Gland, Ring, Bolts	\$372.60		53
DFIMJK24	18" Metal MJ Kit 0153 - Includes Gland, Ring, Bolts	\$457.13		53
DFIMJK30	24" Metal MJ Kit 0153 - Includes Gland, Ring, Bolts	\$797.81		53
BFPSS63S/64B	1¼" Sidewall Fusion x ½" SF or ¾" BF Outlet Saddle	\$25.63	*	54
BFPSS64B	1¼" Sidewall Fusion x ¾" BF Outlet Saddle	\$25.63	*	54
BFPSS64S/65B	1¼" Sidewall Fusion x ¾" SF or 1" BF Outlet Saddle	\$25.63	*	54

Part Number	Size Description	List Price	Freight Allowance	Catalog Page #
BFPSS65S	1¼" Sidewall Fusion x 1" SF Outlet Saddle	\$25.63	*	54
BFPSS74S/75B	1½" Sidewall Fusion x ¾" SF or 1" BF Saddle	\$25.63	*	54
BFPSS75S	1½" Sidewall Fusion x 1" SF Outlet Saddle	\$25.63	*	54
BFPSS84S/85B	2" Sidewall Fusion x ¾" SF or 1" BF Outlet Saddle	\$25.63	*	54
BFPSS85S/86B	2" Sidewall Fusion x 1" SF or 1¼" BF Outlet Saddle	\$25.63	*	54
BFPSS86S	2" Sidewall Fusion x 1¼" SF Outlet Saddle	\$25.63	*	54
BFPSS87B	2" Sidewall Fusion x 1½" BF Outlet Saddle	\$34.25	*	54
BFPSS104S/105B	3" Sidewall Fusion x ¾" SF or 1" BF Outlet Saddle	\$25.63	*	54
BFPSS105S/106B	3" Sidewall Fusion x 1" SF or 1¼" BF Outlet Saddle	\$25.63	*	54
BFPSS106S	3" Sidewall Fusion x 1¼" SF Outlet Saddle	\$25.63	*	54
BFPSS107B	3" Sidewall Fusion x 1½" BF Outlet Saddle	\$35.73	*	54
BFPSS114S/115B	4" Sidewall Fusion x ¾" SF or 1" BF Outlet Saddle	\$25.63	*	54
BFPSS115S/116B	4" Sidewall Fusion x 1" SF or 1¼" BF Outlet Saddle	\$25.63	*	54
BFPSS116B	4" Sidewall Fusion x 1¼" BF Outlet Saddle	\$25.63	*	54
BFPSS116S	4" Sidewall Fusion x 1¼" SF Outlet Saddle	\$25.63	*	54
BFPSS117B	4" Sidewall Fusion x 1½" BF Outlet Saddle	\$35.49	*	54
BFPSS124S/125B	6" Sidewall Fusion x ¾" SF or 1" BF Outlet Saddle	\$25.63	*	54
BFPSS125S	6" Sidewall Fusion x 1" SF Outlet Saddle	\$25.63	*	54
BFPSS126S	6" Sidewall Fusion x 1¼" SF Outlet Saddle	\$25.63	*	54
BFPSS127B	6" Sidewall Fusion x 1½" BF Outlet Saddle	\$43.13	*	54
BFPSS144S	8" Sidewall Fusion x ¾" SF Outlet Saddle	\$25.63	*	54
BFPSS144S/145B	8" Sidewall Fusion x ¾" SF or 1" BF Outlet Saddle	\$25.63	*	54
BFPSS145S	8" Sidewall Fusion x 1" SF Outlet Saddle	\$25.63	*	54
BFPSS166B	10" Sidewall Fusion x 1¼" BF Outlet Saddle	\$25.38	*	54
BFPBS108	3" x 2" Branch Saddle Butt Fused Outlet - Round Base	\$40.07	*	55
BFPBS118	4" x 2" Branch Saddle Butt Fused Outlet - Round Base	\$40.04	*	55
BFPBS1110	4" x 3" Branch Saddle Butt Fused Outlet - Round Base	\$75.21	*	55
BFPBS128	6" x 2" Branch Saddle Butt Fused Outlet - Round Base	\$47.04	*	55
BFPBS1210	6" x 3" Branch Saddle Butt Fused Outlet - Round Base	\$69.42	*	55
BFPBS1211	6" x 4" Branch Saddle Butt Fused Outlet - Round Base	\$96.60	*	55
BFPBS148	8" x 2" Branch Saddle Butt Fused Outlet - Round Base	\$47.15	*	55
BFPBS1410	8" x 3" Branch Saddle Butt Fused Outlet - Round Base	\$71.76	*	55
BFPBS1411	8" x 4" Branch Saddle Butt Fused Outlet - Round Base	\$85.46	*	55
BFPBS1412	8" x 6" Branch Saddle Butt Fused Outlet - Round Base	\$208.77	*	55
BFPBS168	10" x 2" Branch Saddle Butt Fused Outlet - Round Base	\$49.95	*	55
BFPBS1610	10" x 3" Branch Saddle Butt Fused Outlet - Round Base.	\$90.32	*	55
BFPBS1611	10" x 4" Branch Saddle Butt Fused Outlet - Round Base	\$94.88	*	55
BFPBS1811	12" x 4" Branch Saddle Butt Fused Outlet - Round Base	\$89.07	*	55
BFPBS2412	18" x 6" Branch Saddle Butt Fused Outlet - Round Base	Call For Price	*	55
12EIME012C	½" CTS Electrofusion Coupling	\$19.31	*	56
12EIME34	¾" IPS Electrofusion Coupling	\$20.55	*	56
12EIME01	1" IPS Nupi Electrofusion Coupling	\$22.11	*	56
12EIME114	1¼" IPS Nupi Electrofusion Coupling	\$24.06	*	56
12EIME112	1½" IPS Nupi Electrofusion Coupling	\$27.41	*	56
12EIME02	2" IPS Nupi Electrofusion Coupling	\$28.64	*	56
12EIME03	3" IPS Nupi Electrofusion Coupling	\$65.88	*	56
12EIME04	4" IPS Nupi Electrofusion Coupling	\$87.88	*	56
12EIME06	6" IPS Nupi Electrofusion Coupling	\$211.05	*	56
12EIME08	8" IPS Nupi Electrofusion Coupling	\$270.22	*	56

Part Number	Size Description	List Price	Freight Allowance	Catalog Page #
12EIME10	10" IPS Nupi Electrofusion Coupling	\$658.95		56
12EIME12	12" IPS Nupi Electrofusion Coupling	\$922.59		56
12EIME14	14" IPS Nupi Electrofusion Coupling	\$1,153.20		56
12EIME16	16" IPS Nupi Electrofusion Coupling	\$1,230.08		56
12EIME18	18" IPS Nupi Electrofusion Coupling	\$2,740.75		56
12EIME20	20" IPS Nupi Electrofusion Coupling	\$3,014.82		56
12EIME24	24" IPS Nupi Electrofusion Coupling	\$4,385.24		56
12DIME08	8" IPS Electrofusion Coupling - 160PSI	\$234.04		56
12DIME10	10" IPS Electrofusion Coupling - 160PSI	\$528.58		56
12DIME12	12" IPS Electrofusion Coupling - 160PSI	\$739.99		56
12EIMED08	8" DIPS Nupi Electrofusion Coupling	\$316.24		56
12EIMED10	10" DIPS Nupi Electrofusion Coupling	\$877.03		56
12EIMED12	12" DIPS Nupi Electrofusion Coupling	\$931.88		56
12EICOL11401	1¼" x 1" IPS Electrofusion Branch Saddle	\$65.90	*	57
12EICOL0234	2" x ¾" IPS Electrofusion Branch Saddle	\$65.90	*	57
12EICOL0201	2" x 1" IPS Electrofusion Branch Saddle	\$65.90	*	57
12EICOL0202	2" x 2" IPS Electrofusion Branch Saddle	\$76.33	*	57
12EICOL0334	3" x ¾" IPS Electrofusion Branch Saddle	\$76.33	*	57
12EICOL0301	3" x 1" IPS Electrofusion Branch Saddle	\$76.33	*	57
12EICOL03114	3" x 1¼" IPS Electrofusion Branch Saddle	\$76.33	*	57
12EICOL0302	3" x 2" IPS Electrofusion Branch Saddle	\$76.33	*	57
12EICOL0434	4" x ¾" IPS Electrofusion Branch Saddle	\$85.19	*	57
12EICOL0401	4" x 1" IPS Electrofusion Branch Saddle	\$85.19	*	57
12EICOL04114	4" x 1¼" IPS Electrofusion Branch Saddle	\$85.19	*	57
12EICOL0402	4" x 2" IPS Electrofusion Branch Saddle	\$85.19	*	57
12EICOL0403	4" x 3" IPS Electrofusion Branch Saddle	\$334.76	*	57
12EICOL0634	6" x ¾" IPS Electrofusion Branch Saddle	\$102.80	*	57
12EICOL0601	6" x 1" IPS Electrofusion Branch Saddle	\$102.80	*	57
12EICOL06114	6" x 1¼" IPS Electrofusion Branch Saddle	\$102.80	*	57
12EICOL0602	6" x 2" IPS Electrofusion Branch Saddle	\$102.80	*	57
12EICOL0603	6" x 3" IPS Electrofusion Branch Saddle	\$371.15	*	57
12EICOL0604	6" x 4" IPS Electrofusion Branch Saddle	\$445.36		57
12EICOL0834	8" x ¾" IPS Electrofusion Branch Saddle	\$135.10	*	57
12EICOL0801	8" x 1" IPS Electrofusion Branch Saddle	\$125.67	*	57
12EICOL08114	8" x 1¼" IPS Electrofusion Branch Saddle	\$135.10	*	57
12EICOL0802	8" x 2" IPS Electrofusion Branch Saddle	\$125.67	*	57
12EICOL0803	8" x 3" IPS Electrofusion Branch Saddle	\$388.27	*	57
12EICOL0804	8" x 4" IPS Electrofusion Branch Saddle	\$479.65	*	57
12EICOL10114	10" x 1¼" IPS Electrofusion Branch Saddle	\$146.83	*	57
12EICOL1002	10" x 2" IPS Electrofusion Branch Saddle	\$146.83	*	57
12EICOL1003	10" x 3" IPS Electrofusion Branch Saddle	\$422.87	*	57
12EICOL1004	10" x 4" IPS Electrofusion Branch Saddle	\$563.81	*	57
12EICOLTL1006	10" X 6" IPS Electrofusion Top Load Branch Saddle	\$1,233.34	*	57
12EICOL1202	12" x 2" IPS Electrofusion Branch Saddle	\$158.55	*	57
12EICOL1203	12" x 3" IPS Electrofusion Branch Saddle	\$458.09	*	57
12EICOL1204	12" x 4" IPS Electrofusion Branch Saddle	\$642.53	*	57
12EICOL1206	12" x 6" IPS Electrofusion Branch Saddle	\$1,172.50	*	57
12E8202	Nupi 4.0mm to 4.7mm Adapter (Sold as Pair)	\$92.13	*	57
12EICEM02	2" IPS Electrofusion 45° Elbow	\$63.04	*	58

Part Number	Size Description	List Price	Freight Allowance	Catalog Page #
12EIGEM02	2" IPS Electrofusion 90° Elbow	\$63.04	*	58
12EIGEM03	3" IPS Electrofusion 90° Elbow	\$142.62	*	58
12EITCE02	2" IPS Electrofusion Tee w/ Spigot End	\$72.77	*	58
12EIRDE0302	3" x 2" IPS Electrofusion Reducer PE 4710/230 PSI	\$64.01	*	58
12EIRDE0402	4" x 2" IPS Electrofusion Reducer PE 4710/230 PSI	\$81.48	*	58
12EIRDE0403	4" x 3" IPS Electrofusion Reducer PE 4710/230 PSI	\$84.37	*	58
12EIRDE0604	6" x 4" IPS Electrofusion Reducer PE 4710/230 PSI	\$186.21	*	58
12EIPRES0234	2" x ¾" IPS Electrofusion Branch Saddle Tapping Tee - Butt	\$43.22	*	58
12EIPRES0201	2" x 1" IPS IPS Electrofusion Branch Saddle Tapping Tee - Butt	\$43.22	*	58
12EIPRES02114	2" x 1¼" IPS IPS Electrofusion Branch Saddle Tapping Tee - Butt	\$60.30	*	58
12EIPRES0202	2" x 2" IPS IPS Electrofusion Branch Saddle Tapping Tee - Butt	\$140.70	*	58
12EIPRES0334	3" x ¾" IPS Electrofusion Branch Saddle Tapping Tee - Butt	\$45.94	*	58
12EIPRES0301	3" x 1" IPS Electrofusion Branch Saddle Tapping Tee - Butt	\$45.94	*	58
12EIPRES03114	3" x 1¼" IPS Electrofusion Branch Saddle Tapping Tee - Butt	\$64.85	*	58
12EIPRES0302	3" x 2" IPS Electrofusion Branch Saddle Tapping Tee - Butt	\$156.68	*	58
12EIPRES0434	4" x ¾" IPS Electrofusion Branch Saddle Tapping Tee - Butt	\$51.35	*	58
12EIPRES0401	4" x 1" IPS IPS Electrofusion Branch Saddle Tapping Tee - Butt	\$51.35	*	58
12EIPRES04114	4 x 1¼" IPS Electrofusion Branch Saddle Tapping Tee - Butt	\$72.93	*	58
12EIPRES0402	4" X 2" IPS Electrofusion Branch Saddle Tapping Tee - Butt	\$155.78	*	58
12EIPRES0634	6 x ¾" IPS Electrofusion Branch Saddle Tapping Tee - Butt	\$62.12	*	58
12EIPRES0601	6 x 1" IPS Electrofusion Branch Saddle Tapping Tee - Butt	\$62.12	*	58
12EIPRES06114	6 x 1¼" IPS Electrofusion Branch Saddle Tapping Tee - Butt	\$78.06	*	58
12EIPRES0602	6 x 2" IPS Electrofusion Branch Saddle Tapping Tee - Butt	\$178.32	*	58
12EIPRES0801	8 x 1" IPS Electrofusion Branch Saddle Tapping Tee - Butt	\$97.25	*	58
12EIPRES1201	12 x 1" IPS Electrofusion Branch Saddle Tapping Tee - Butt	\$140.46	*	58
12EIPRES1202	12 x 2" IPS Electrofusion Branch Saddle Tapping Tee - Butt	\$205.31	*	58
1-69111-N	1" Full Port Polyball Valve SDR11 Butt Fusion	\$154.10	*	59
1.25-69111-N	1¼" Full Port Polyball Valve SDR11 Butt Fusion	\$235.09	*	59
2-69111-N	2" Full Port Polyball Valve SDR11 Butt Fusion	\$256.29	*	59
3-69111-N	3" Full Port Polyball Valve SDR11 Butt Fusion	\$495.94	*	59
4-69111-N	4" Full Port Polyball Valve SDR11 Butt Fusion	\$742.76	*	59
6-69111-N	6" Full Port Polyball Valve SDR11 Butt Fusion	\$1,436.82	*	59
PVKEY-2	Street Key for Polyethylene Valve, 2" Thru 12"	\$103.50	†	59
BV004	¾" FPT Brass Ball Valve (Full Port)	\$42.44	†	60
BV007	1" FPT Brass Ball Valve (Full Port)	\$56.98	†	60
BV010	1¼" FPT Brass Ball Valve (Full Port)	\$82.24	†	60
BV013	1½" FPT Brass Ball Valve (Full Port)	\$174.43	†	60
BV016	2" FPT Brass Ball Valve (Full Port)	\$233.05	†	60
BVIBU3FF	1" FPT Brass Ball Valve w/Union P/T (Full Port)	Call For Price	†	61
BVIBU4FF	1¼" FPT Brass Ball Valve w/Union P/T (Full Port)	Call For Price	†	61
BVIBU5FF	1½" FPT Brass Ball Valve w/Union P/T (Full Port)	Call For Price	†	61
BVIBU6FF	2" FPT Brass Ball Valve w/Union P/T (Full Port)	Call For Price	†	61
ELO44FA	¾" IPS Compression x ¾" Female Adapter	\$18.35	*	62
ELO55FA	1" IPS Compression x 1" Female Adapter	\$15.35	*	62
ELO66FA	1¼" IPS Compression x 1¼" Female Adapter	\$22.50	*	62
ELO77FA-NEW	1½" IPS Compression x 1½" Female Adapter	\$58.93	*	62
ELO88FA	2" IPS Compression x 2" Female Adapter	\$46.30	*	62
ELO44MA	¾" IPS Compression x ¾" Male Adapter	\$13.61	*	62
ELO55MA	1" IPS Compression x 1" Male Adapter	\$14.80	*	62

Part Number	Size Description	List Price	Freight Allowance	Catalog Page #
ELO66MA	1¼" IPS Compression x 1¼" Male Adapter	\$20.60	*	62
ELO88MA	2" IPS Compression x 2" Male Adapter	\$41.50	*	62
ELO4EC	¾" IPS Compression End Cap	\$12.70	*	62
ELO5EC	1" IPS Compression End Cap	\$18.16	*	62
ELO6EC	1¼" IPS Compression End Cap	\$24.85	*	62
ELO7EC-NEW	1½" IPS Compression End Cap	\$56.30	*	62
ELO88EC	2" IPS Compression End Cap	\$65.30	*	62
ELO42TC	¾" IPS Test Cap (¾" x ¼" FPT)	\$50.78	*	62
ELO52TC	1" IPS Test Cap (1" x ¼" FPT)	\$56.31	*	62
ELO62TC	1¼" IPS Test Cap (1¼" x ¼" FPT)	\$101.49	*	62
ELO72TC	1½" IPS Test Cap (1½" x ¼" FPT)	\$152.00	*	62
ELO82TC	2" IPS Test Cap (2" x ¼" FPT)	\$214.18	*	62
ELOTC4Kit	¾" IPS Compression Test Cap Kit	\$163.69	*	62
ELOTC5Kit	1" IPS Compression Test Cap Kit	\$175.38	*	62
ELOTC6Kit	1¼" IPS Compression Test Cap Kit	\$204.62	*	62
ELOTC7Kit	1½" IPS Compression Test Cap Kit	\$274.77	*	62
ELOTC8Kit	2" IPS Compression Test Cap Kit	\$321.54	*	62
ELO44C	¾" IPS x ¾" IPS Coupling	\$17.05	*	63
ELO55C	1" IPS x 1" IPS Coupling	\$22.05	*	63
ELO66C	1¼" IPS x 1¼" IPS Coupling	\$34.45	*	63
ELO88C	2" IPS x 2" IPS Coupling	\$65.20	*	63
ELO44E	¾" IPS x ¾" IPS Elbow	\$16.25	*	63
ELO55E	1" IPS x 1" IPS Elbow	\$27.21	*	63
ELO66E	1¼" IPS x 1¼" IPS Elbow	\$33.75	*	63
ELO77E	1½" IPS x 1½" IPS Elbow	\$58.02	*	63
ELO88E	2" IPS x 2" IPS Elbow	\$80.36	*	63
PE4C-PVC4C	¾" IPS x ¾" PVC Coupling	\$21.21	*	63
PE5C-PVC5C	1" IPS x 1" PVC Coupling	\$24.86	*	63
PE6C-PVC6C	1¼" IPS x 1¼" PVC Coupling	\$44.50	*	63
PE4E-PVC4E	¾" IPS x ¾" PVC Elbow	\$22.10	*	63
PE5E-PVC5E	1" IPS x 1" PVC Elbow	\$25.70	*	63
PE6E-PVC6E	1¼" IPS x 1¼" PVC Elbow	\$48.45	*	63
OCHIAVE025	¾" Compression Wrench	\$28.25	*	63
OCHIAVE032	1" Compression Wrench	\$33.85	*	63
OCHIAVE040	1¼" Compression Wrench	\$36.90	*	63
OCHIAVE050	1½" Compression Wrench	\$45.15	*	63
OCHIAVE063	2" Compression Wrench	\$56.45	*	63
SK644K02	1¼" Inlet x (3) ¾" Outlets-Parallel (priced per each)	\$34.80	*	64
SK644K03	1¼" Inlet x (4) ¾" Outlets-Parallel (priced per each)	\$42.90	*	64
SK644K04	1¼" Inlet x (5) ¾" Outlets-Parallel (priced per each)	\$58.95	*	64
SK644K05	1¼" Inlet x (6) ¾" Outlets-Parallel (priced per each)	\$80.57	*	64
SK644K06	1¼" Inlet x (7) ¾" Outlets-Parallel (priced per each)	\$97.88	*	64
SK655K02	1¼" Inlet x (3) 1" Outlets-Parallel (priced per each)	\$60.95	*	64
SK655K03	1¼" Inlet x (4) 1" Outlets-Parallel (priced per each)	\$85.50	*	64
SK655K04	1¼" Inlet x (5) 1" Outlets-Parallel (priced per each)	\$114.48	*	64
SK655K05	1¼" Inlet x (6) 1" Outlets-Parallel (priced per each)	\$133.64	*	64
SK655K06	1¼" Inlet x (7) 1" Outlets-Parallel (priced per each)	\$168.82	*	64
SK744K03	1½" Inlet x (4) ¾" Outlets-Parallel (priced per each)	\$149.69	*	64
SK744K04	1½" Inlet x (5) ¾" Outlets-Parallel (priced per each)	\$190.31	*	64

Part Number	Size Description	List Price	Freight Allowance	Catalog Page #
SK744K05	1½" Inlet x (6) ¾" Outlets-Parallel (priced per each)	\$219.94	*	64
SK744K06	1½" Inlet x (7) ¾" Outlets-Parallel (priced per each)	\$230.94	*	64
SK744K07	1½" Inlet x (8) ¾" Outlets-Parallel (priced per each)	\$247.00	*	64
SK755K02	1½" Inlet x (3) 1" Outlets-Parallel (priced per each)	\$90.60	*	64
SK755K03	1½" Inlet x (4) 1" Outlets-Parallel (priced per each)	\$117.08	*	64
SK755K04	1½" Inlet x (5) 1" Outlets-Parallel (priced per each)	\$156.34	*	64
SK755K05	1½" Inlet x (6) 1" Outlets-Parallel (priced per each)	\$211.64	*	64
SK755K06	1½" Inlet x (7) 1" Outlets-Parallel (priced per each)	\$258.34	*	64
SK844K04	2" Inlet x (5) ¾" Outlets-Parallel (priced per each)	\$136.70	*	64
SK844K05	2" Inlet x (6) ¾" Outlets-Parallel (priced per each)	\$174.20	*	64
SK844K06	2" Inlet x (7) ¾" Outlets-Parallel (priced per each)	\$183.20	*	64
SK844K07	2" Inlet x (8) ¾" Outlets-Parallel (priced per each)	\$206.25	*	64
SK844K08	2" Inlet x (9) ¾" Outlets-Parallel (priced per each)	\$245.45	*	64
SK844K09	2" Inlet x (10) ¾" Outlets-Parallel (priced per each)	\$284.66	*	64
SK844K10	2" Inlet x (11) ¾" Outlets-Parallel (priced per each)	\$336.27	*	64
SK844K11	2" Inlet x (12) ¾" Outlets-Parallel (priced per each)	\$382.64	*	64
SK855K02	2" Inlet x (3) 1" Outlets-Parallel (priced per each)	\$111.95	*	64
SK855K03	2" Inlet x (4) 1" Outlets-Parallel (priced per each)	\$124.30	*	64
SK855K04	2" Inlet x (5) 1" Outlets-Parallel (priced per each)	\$136.09	*	64
SK855K05	2" Inlet x (6) 1" Outlets-Parallel (priced per each)	\$151.30	*	64
SK855K06	2" Inlet x (7) 1" Outlets-Parallel (priced per each)	\$166.50	*	64
SK855K07	2" Inlet x (8) 1" Outlets-Parallel (priced per each)	\$245.05	*	64
SK855K08	2" Inlet x (9) 1" Outlets-Parallel (priced per each)	\$285.07	*	64
SK855K09	2" Inlet x (10) 1" Outlets-Parallel (priced per each)	\$338.52	*	64
SK644K02H	1¼" Inlet x (3) ¾" Outlets-Alt 180 H (priced per each)	\$37.29	*	65
SK644K03H	1¼" Inlet x (4) ¾" Outlets-Alt 180 H (priced per each)	\$45.96	*	65
SK644K04H	1¼" Inlet x (5) ¾" Outlets-Alt 180 H (priced per each)	\$63.16	*	65
SK644K05H	1¼" Inlet x (6) ¾" Outlets-Alt 180 H (priced per each)	\$86.77	*	65
SK644K06H	1¼" Inlet x (7) ¾" Outlets-Alt 180 H (priced per each)	\$105.40	*	65
SK655K02H	1¼" Inlet x (3) 1" Outlets-Alt 180 H (priced per each)	\$60.95	*	65
SK655K03H	1¼" Inlet x (4) 1" Outlets-Alt 180 H (priced per each)	\$85.50	*	65
SK655K04H	1¼" Inlet x (5) 1" Outlets-Alt 180 H (priced per each)	\$114.48	*	65
SK655K05H	1¼" Inlet x (6) 1" Outlets-Alt 180 H (priced per each)	\$133.64	*	65
SK655K06H	1¼" Inlet x (7) 1" Outlets-Alt 180 H (priced per each)	\$168.82	*	65
SK844K07H	2" Inlet x (8) ¾" Outlets-Alt 180 H (priced per each)	\$206.25	*	65
SK844K08H	2" Inlet x (9) ¾" Outlets-Alt 180 H (priced per each)	\$245.45	*	65
SK844K09H	2" Inlet x (10) ¾" Outlets-Alt 180 H (priced per each)	\$284.66	*	65
SK844K10H	2" Inlet x (11)¾" Outlets-Alt 180 H (priced per each)	\$336.27	*	65
SK844K11H	2" Inlet x (12) ¾" Outlets-Alt 180 H (priced per each)	\$382.64	*	65
SK855K07H	2" Inlet x (8) 1" Outlets-Alt 180 H (priced per each)	\$245.05	*	65
SK855K08H	2" Inlet x (9) 1" Outlets-Alt 180 H (priced per each)	\$285.07	*	65
SK855K09H	2" Inlet x (10) 1" Outlets-Alt 180 H (priced per each)	\$338.52	*	65
M232PA-INS	1¼" PVC Header x 2 Circuit ¾" - Angled (Insulated Pair)	\$418.75	*	66
M232PS-INS	1¼" PVC Header x 2 Circuit ¾" - Straight (Insulated Pair)	\$418.75	*	66
M332PA-INS	1¼" PVC Header x 3 Circuit ¾" - Angled (Insulated Pair)	\$618.73	*	66
M332PS-INS	1¼" PVC Header x 3 Circuit ¾" - Straight (Insulated Pair)	\$618.73	*	66
M432PA-INS	1¼" PVC Header x 4 Circuit ¾" - Angled (Insulated Pair)	\$773.22	*	66
M432PS-INS	1¼" PVC Header x 4 Circuit ¾" - Straight (Insulated Pair)	\$773.22	*	66
M532PA-INS	1¼" PVC Header x 5 Circuit ¾" - Angled (Insulated Pair)	\$962.08	*	66

Part Number	Size Description	List Price	Freight Allowance	Catalog Page #
M532PS-INS	1¼" PVC Header x 5 Circuit ¾" - Straight (Insulated Pair)	\$962.08	*	66
M632PA-INS	1¼" PVC Header x 6 Circuit ¾" - Angled (Insulated Pair)	\$1,155.06	*	66
M632PS-INS	1¼" PVC Header x 6 Circuit ¾" - Straight (Insulated Pair)	\$1,155.06	*	66
MPE232PS	1¼" HDPE Header x 2 Circuit ¾" Straight (Non-Insulated Pair)	\$493.50	*	67
MPE232PA	1¼" HDPE Header x 2 Circuit ¾" Angled (Non-Insulated Pair)	\$494.63	*	67
MPE332PS	1¼" HDPE Header x 3 Circuit ¾" Straight (Non-Insulated Pair)	\$735.01	*	67
MPE332PA	1¼" HDPE Header x 3 Circuit ¾" Angled (Non-Insulated Pair)	\$736.11	*	67
MPE432PS	1¼" HDPE Header x 4 Circuit ¾" Straight (Non-Insulated Pair)	\$976.53	*	67
MPE432PA	1¼" HDPE Header x 4 Circuit ¾" Angled (Non-Insulated Pair)	\$977.58	*	67
MPE532PS	1¼" HDPE Header x 5 Circuit ¾" Straight (Non-Insulated Pair)	\$1,217.92	*	67
MPE532PA	1¼" HDPE Header x 5 Circuit ¾" Angled (Non-Insulated Pair)	\$1,219.05	*	67
MPE632PS	1¼" HDPE Header x 6 Circuit ¾" Straight (Non-Insulated Pair)	\$1,459.51	*	67
MPE632PA	1¼" HDPE Header x 6 Circuit ¾" Angled (Non-Insulated Pair)	\$1,460.53	*	67
MPE732PS	1¼" HDPE Header x 7 Circuit ¾" Straight (Non-Insulated Pair)	\$1,786.71	*	67
MPE732PA	1¼" HDPE Header x 7 Circuit ¾" Angled (Non-Insulated Pair)	\$1,791.58	*	67
R63-46-1K	¾" & 1¼" IPS Double & Depth Gauge Only Fusion Kit	\$2,344.06	†	-
R63-46C-1K	¾" & 1¼" IPS Double & Chamfer/Depth Gauge Fusion Kit	\$2,506.56	†	69
R63-48-1K	¾" through 2" IPS Double & Depth Gauge Only Fusion Kit	\$3,595.31	†	-
R63-48C-1K	¾" through 2" IPS Double & Chamfer/Depth Gauge Fusion Kit	\$4,021.88	†	69
RT-1-H	R63 TFE (110V) Socket Fusion Tool - Double Only	\$904.71	†	70
RT-2-H	R125Q-TE (115V) Socket Fusion Tool - Multiple	\$1,508.44	†	70
BDFB1	B & D Fusion Tool Cover	\$97.24	*	70
DBUD	Ditch Buddy Fusion Tool Bag Holder w/ B&D Bag	\$112.11	*	70
FHSF4P	¾" Vanguard Socket Face (Limited Quantities Available)	\$194.18	*	71
FHSF5P	1" Vanguard Socket Face (Limited Quantities Available)	\$194.18	*	71
FHSF6P	1¼" Vanguard Socket Face (Limited Quantities Available)	\$194.18	*	71
FHSF7P	1½" Vanguard Socket Face (Limited Quantities Available)	\$194.18	*	71
FHSF8P	2" Vanguard Socket Face (Limited Quantities Available)	\$194.18	*	71
RSP4	¾" IPS Ritmo Socket Face	\$228.06	*	71
RSP5	1" IPS Ritmo Socket Face	\$228.06	*	71
RSP6	1¼" IPS Ritmo Socket Face	\$262.76	*	71
RSP7	1½" IPS Ritmo Socket Face	\$262.76	*	71
RSP8	2" IPS Ritmo Socket Face	\$262.76	*	71
DG4A	¾" Vanguard Depth Gauge (Limited Quantities Available)	\$32.85	*	71
DG5A	1" Vanguard Depth Gauge (Limited Quantities Available)	\$32.85	*	71
DG6A	1¼" Vanguard Depth Gauge (Limited Quantities Available)	\$32.85	*	71
DG7A	1½" Vanguard Depth Gauge (Limited Quantities Available)	\$32.85	*	71
DG8A	2" Vanguard Depth Gauge (Limited Quantities Available)	\$32.85	*	71
CTDG4	¾" IPS Ritmo Chamfer Tool/Depth Gauge	\$143.73	*	71
CTDG5	1" IPS Ritmo Chamfer Tool/Depth Gauge	\$166.70	*	71
CTDG6	1¼" IPS Ritmo Chamfer Tool/Depth Gauge	\$171.39	*	71
CTDG7	1½" IPS Ritmo Chamfer Tool/Depth Gauge	\$170.28	*	71
CTDG8	2" IPS Ritmo Chamfer Tool/Depth Gauge	\$180.82	*	71
BDCR4	¾" B&D Cold Ring	\$172.07	*	72
BDCR5	1" B&D Cold Ring	\$172.07	*	72
BDCR6	1¼" B&D Cold Ring	\$198.14	*	72
BDCR7	1½" B&D Cold Ring	\$198.14	*	72
BDCR8	2" B&D Cold Ring	\$198.14	*	72
FHVT48	Heat Fusion Tool/Double Face	\$925.10		

Part Number	Size Description	List Price	Freight Allowance	Catalog Page #
MSK-F-475	Tempstik 475°F	\$37.33	*	72
MSK-F-525	Tempstik 525°F	\$37.33	*	72
V00864	Digital Timer	\$35.00	*	72
TC2QP	¾" to 2" IPS Tubing Cutter for Plastic	\$276.86	*	73
T-RS2	Large Ratchet Shear (up to 2" IPS)	\$399.87		
RS7290	Small Ratchet Shear (up to 2" IPS)	\$399.87		
CTBG8	Pipe Cutter (up to 1-3/8" IPS)	\$30.63	*	73
C2-RC	1¼" Pipe Cutter Ratchet	\$68.03	*	73
RAM14 B.F.1-4	RAM 14 Butt Fusion Machine (1" to 4") 110V	\$9,829.33		74
R77291461B	1" IPS Liners (RAM 14)	\$366.25		74
R77291721B	1¼" IPS Liners (RAM 14)	\$382.32		74
R77291811B	1½" IPS Liners (RAM 14)	\$375.59		74
R77292331B	2" IPS Liners (RAM 14)	\$541.00		74
R77292871B	3" IPS Liners (RAM 14)	\$599.87		74
R77293161B	4" IPS Liners (RAM 14)	\$599.87		74
RAM28 B.F.2-8	RAM 28 Butt Fusion (2" to 8" DIPS)110V 60HZ Single PH	Call For Price		75
R87292305	Inserts Diam 2" IPS (RAM 28)	Call For Price		75
R87292731	Inserts Diam 3" IPS (RAM 28)	Call For Price		75
R87293238	Inserts Diam 4" IPS (RAM 28)	Call For Price		75
R87294047	Inserts Diam 6" IPS (RAM 28)	Call For Price		75
R87294622	Inserts Diam 8" IPS (RAM 28)	Call For Price		75
RAM414 B.F. 4-14	RAM 414 Butt Fusion (4" to 14" DIPS)110V 60HZ Single PH	Call For Price		76
R87293354	4" IPS Liners (RAM 414)	Call For Price		76
R87294153	6" IPS Liners (RAM 414)	Call For Price		76
R87294643N	8" IPS Liners (RAM 414)	Call For Price		76
R87295382N	10" IPS Liners (RAM 414)	Call For Price		76
R87295803N	12" IPS Liners (RAM 414)	Call For Price		76
96906082	ELEKTRA Light Electrofusion 120V w/Scanner Gun	\$6,558.42	†	77
96906387	ELEKTRA 500 Electrofusion 120V w/Scanner Gun	\$8,205.51		78
96906388	ELEKTRA 500 Electrofusion 120V w/GPS	\$9,086.04		
96906407	ELEKTRA 1000 Electrofusion 230V w/Scanner Gun	\$9,086.04		78
RTC315	3" to 12" Universal Scraper	\$4,737.75		79
RTC160	2" to 6" Universal Scraper	\$4,510.60		79
12RAT2	6" to 24" Revolving Scraper	Call For Price		79
99890007	¾" Turbo Scraper	Call For Price	†	79
99890008	1" Turbo Scraper	Call For Price	†	79
99890009	1¼" Turbo Scraper	Call For Price	†	79
99890010	1½" Turbo Scraper	Call For Price	†	79
99890011	2" Turbo Scraper	Call For Price	†	79
99500002	½" through 2" IPS Universal Aligner 63 Kit	Call For Price		80
99520006	2" through 5" IPS Universal Aligner 63 Kit	Call For Price		80

THIS PAGE INTENTIONALLY LEFT BLANK

“B & D Mfg. Inc.’s mission is to bring geothermal innovation to the forefront of green energy. Our goal is to utilize non-pressurized products, while meeting all geothermal product needs. We strive to always have the products our distributors need in stock. As one of the leaders in geothermal, B & D plans to grow with the industry and continue to push the industry with creative ideas, quality products, and great distributor service.”

B & D MFG., INC.
901 9TH STREET
SCRANTON, IA 51462
Ph: 1-866-646-6724 or 712-652-3424
Fax: 1-800-952-7101 or 712-652-3388



WWW.BDMFGINC.COM

VISIT OUR WEBSITE AND SIGN-UP FOR INSTANT PRICING.

PRICES SUBJECT TO CHANGE WITHOUT NOTICE.
SPECIAL ORDERS and FABRICATED ITEMS ARE NON-RETURNABLE.