

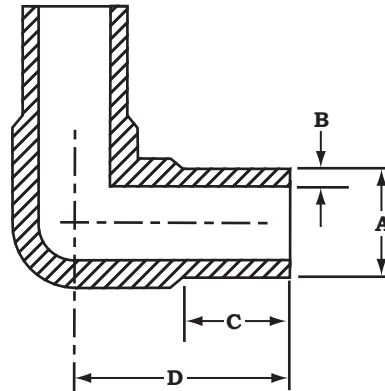
BUTT FUSION FITTINGS



Swan Plastics, LLC Phone: (405) 275-4826
 6500 North Kickapoo Fax: (405) 275-3626
 Shawnee, OK 74804, USA

FOR REFERENCE ONLY

BUTT 90° EII (IPS)



NOMINAL SIZE	DIMENSION A	DIMENSION B	DIMENSION C	DIMENSION D
¾" IPS	1.050 ±.008	.095 +.019	2.14	3.19
1" IPS	1.315 ±.010	.119 +.024	2.18	3.31
1¼" IPS	1.660 ±.010	.151 +.030	2.15	3.48
1½" IPS	1.900 ±.010	.173 +.035	2.37	3.92
2" IPS	2.375 ±.010	.216 +.043	2.45	4.46

BUTT FUSION FITTINGS

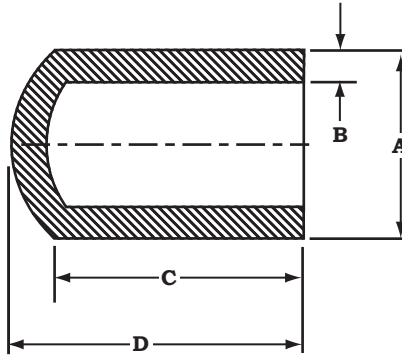
FOR REFERENCE ONLY



Swan Plastics, LLC
6500 North Kickapoo
Shawnee, OK 74804, USA

Phone: (405) 275-4826
Fax: (405) 275-3626

BUTT CAP (IPS)



NOMINAL SIZE	DIMENSION A	DIMENSION B	DIMENSION C	DIMENSION D
3/4" IPS	1.050 ±.008	.095 ±.019	2.18	2.55
1" IPS	1.315 ±.010	.119 ±.024	2.18	2.64
1 1/4" IPS	1.660 ±.010	.151 ±.030	2.18	2.77
1 1/2" IPS	1.900 ±.010	.173 ±.035	2.42	3.10
2" IPS	2.375 ±.010	.216 ±.043	2.50	3.34
3" IPS	3.500 ±.012	.318 ±.064	2.90	4.13

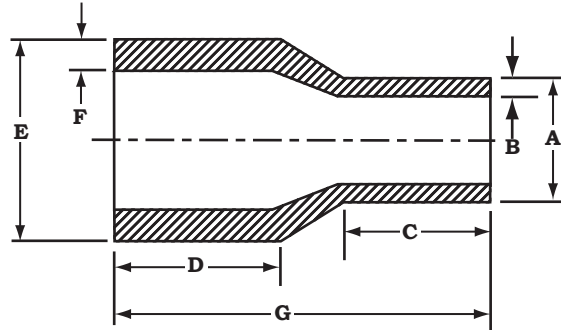
BUTT FUSION FITTINGS

FOR REFERENCE ONLY



Swan Plastics, LLC Phone: (405) 275-4826
 6500 North Kickapoo Fax: (405) 275-3626
 Shawnee, OK 74804, USA

BUTT REDUCER (IPS)



NOMINAL SIZE	DIMENSION A	DIMENSION B	DIMENSION C	DIMENSION D	DIMENSION E	DIMENSION F	DIMENSION G
1" IPS x ¾" IPS	1.050 ±.008	.095 +.019	2.17	2.17	1.315 ±.010	.119 +.024	4.58
1¼" IPS x 1" IPS	1.315 ±.010	.119 +.024	2.15	2.20	1.660 ±.010	.151 +.030	4.66
1½" IPS x ¾" IPS	1.050 ±.008	.095 +.019	2.13	2.44	1.900 ±.010	.173 +.035	5.33
1½" IPS x 1" IPS	1.315 ±.010	.119 +.024	2.16	2.44	1.900 ±.010	.173 +.035	5.12
1½" IPS x 1¼" IPS	1.660 ±.010	.151 +.030	2.17	2.44	1.900 ±.010	.173 +.035	4.83
2" IPS x 1" IPS	1.315 ±.010	.119 +.024	2.13	2.53	2.375 ±.010	.216 +.043	5.62
2" IPS x 1¼" IPS	1.660 ±.010	.151 +.030	2.15	2.53	2.375 ±.010	.216 +.043	5.34
2" IPS x 1½" IPS	1.900 ±.010	.173 +.035	2.42	2.53	2.375 ±.010	.216 +.043	5.40
3" IPS x 2" IPS	2.375 ±.010	.216 +.043	2.50	2.90	3.500 ±.012	.318 +.064	6.43

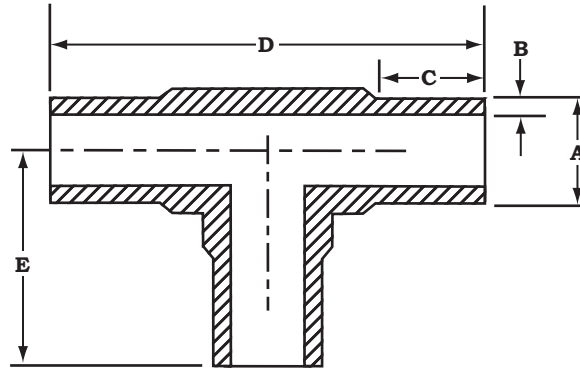
BUTT FUSION FITTINGS



FOR REFERENCE ONLY

Swan Plastics, LLC Phone: (405) 275-4826
 6500 North Kickapoo Fax: (405) 275-3626
 Shawnee, OK 74804, USA

BUTT TEE (IPS)



NOMINAL SIZE	DIMENSION A	DIMENSION B	DIMENSION C	DIMENSION D	DIMENSION E
3/4" IPS	1.050 ±.008	.095 +.019	2.14	6.38	3.19
1" IPS	1.315 ±.010	.119 +.024	2.18	6.62	3.31
1 1/4" IPS	1.660 ±.010	.151 +.030	2.15	6.97	3.48
1 1/2" IPS	1.900 ±.010	.173 +.035	2.37	7.84	3.92
2" IPS	2.375 ±.010	.216 +.043	2.45	8.93	4.46

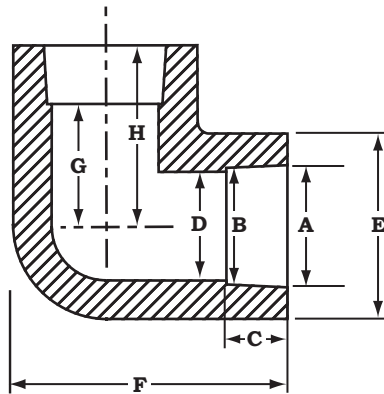
SOCKET FUSION FITTINGS

FOR REFERENCE ONLY



Swan Plastics, LLC Phone: (405) 275-4826
 6500 North Kickapoo Fax: (405) 275-3626
 Shawnee, OK 74804, USA

SOCKET 90° EII (IPS)



NOMINAL SIZE	DIM A	DIM B	DIM C	DIM D	DIM E	DIM F	DIM G	DIM H
3/4" IPS	1.020 ± .008	1.012 ^{+0.008} / _{-.012}	.660 ± .005	.900 ± .015	1.450 ± .020	2.15	.78	1.44
1" IPS	1.275 ± .008	1.267 ^{+0.008} / _{-.012}	.715 ± .005	1.110 ± .015	1.770 ± .020	2.49	.90	1.61
1 1/4" IPS	1.620 ± .008	1.612 ^{+0.008} / _{-.016}	.900 ± .005	1.475 ± .015	2.315 ± .030	3.04	1.02	1.92
1 1/2" IPS	1.860 ± .010	1.849 ^{+0.010} / _{-.020}	.900 ± .005	1.675 ± .015	2.565 ± .030	3.41	1.25	2.15
2" IPS	2.335 ± .010	2.324 ^{+0.010} / _{-.020}	.975 ± .010	2.180 ± .015	3.285 ± .030	4.10	1.52	2.50

SOCKET FUSION FITTINGS

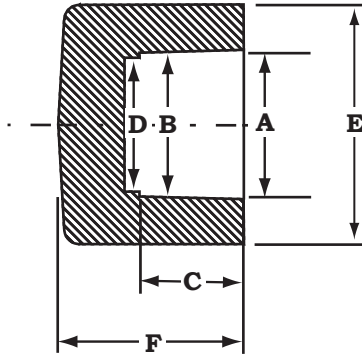
FOR REFERENCE ONLY



Swan Plastics, LLC
6500 North Kickapoo
Shawnee, OK 74804, USA

Phone: (405) 275-4826
Fax: (405) 275-3626

SOCKET CAP (IPS)



NOMINAL SIZE	DIMENSION A	DIMENSION B	DIMENSION C	DIMENSION D	DIMENSION E	DIMENSION F
3/4" IPS	1.020 ±.008	1.012 ^{+0.008} / _{-.012}	.665 ±.005	.880 ±.015	1.450 ±.020	1.04
1" IPS	1.275 ±.008	1.267 ^{+0.008} / _{-.012}	.720 ±.005	1.120 ±.015	1.770 ±.020	1.22
1 1/4" IPS	1.620 ±.008	1.612 ^{+0.008} / _{-.016}	.900 ±.005	1.475 ±.015	2.295 ±.020	5.01
1 1/2" IPS	1.860 ±.010	1.849 ^{+0.010} / _{-.020}	.930 ±.005	1.680 ±.015	2.540 ±.020	1.57
2" IPS	2.335 ±.010	2.324 ^{+0.010} / _{-.020}	.975 ±.010	2.175 ±.015	3.275 ±.020	1.80

SOCKET FUSION FITTINGS

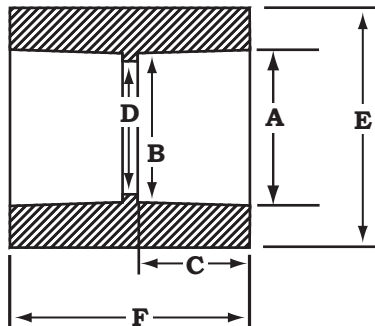
FOR REFERENCE ONLY



Swan Plastics, LLC
6500 North Kickapoo
Shawnee, OK 74804, USA

Phone: (405) 275-4826
Fax: (405) 275-3626

SOCKET COUPLING (IPS)



NOMINAL SIZE	DIMENSION A	DIMENSION B	DIMENSION C	DIMENSION D	DIMENSION E	DIMENSION F
3/4" IPS	1.020 ±.008	1.012 ^{+0.008} / _{-0.012}	.665 ±.005	.880 ±.015	1.450 ±.020	1.44
1" IPS	1.275 ±.008	1.267 ^{+0.008} / _{-0.012}	.720 ±.005	1.120 ±.015	1.770 ±.020	1.62
1 1/4" IPS	1.620 ±.008	1.612 ^{+0.008} / _{-0.016}	.900 ±.005	1.475 ±.015	2.295 ±.020	2.05
1 1/2" IPS	1.860 ±.010	1.849 ^{+0.010} / _{-0.020}	.930 ±.005	1.680 ±.015	2.540 ±.020	2.10
2" IPS	2.335 ±.010	2.324 ^{+0.010} / _{-0.020}	.975 ±.010	2.175 ±.015	3.275 ±.020	2.20
3" IPS	3.455 ±.015	3.439 ^{+0.015} / _{-0.025}	1.190 ±.015	3.240 ±.025	4.860 ±.030	2.77

SOCKET FUSION FITTINGS

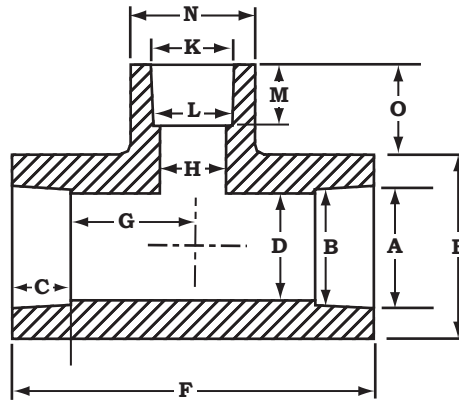
FOR REFERENCE ONLY



Swan Plastics, LLC
6500 North Kickapoo
Shawnee, OK 74804, USA

Phone: (405) 275-4826
Fax: (405) 275-3626

SOCKET REDUCING TEE (IPS)



NOMINAL IPS SIZE	DIM A	DIM B	DIM C	DIM D	DIM E	DIM F	DIM G	DIM H	DIM K	DIM L	DIM M	DIM N	DIM O
1½" x 1½" x ¾"	1.860 ±.010	1.849 ^{+.010} -.020	.945 ±.005	1.675 ±.015	2.640 ±.030	4.53	1.32	.900 ±.015	1.020 ±.008	1.012 ^{+.008} -.012	.865 ±.005	1.475 ±.030	.90
2" x 2" x ¾"	2.335 ±.010	2.324 ^{+.010} -.020	1.015 ±.005	2.190 ±.015	3.325 ±.030	5.27	1.62	.900 ±.015	1.020 ±.008	1.012 ^{+.008} -.012	.865 ±.005	1.475 ±.030	.95

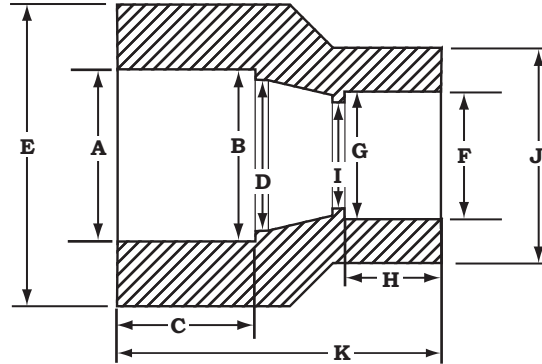
SOCKET FUSION FITTINGS

FOR REFERENCE ONLY



Swan Plastics, LLC Phone: (405) 275-4826
6500 North Kickapoo Fax: (405) 275-3626
Shawnee, OK 74804, USA

SOCKET REDUCER (IPS)



NOMINAL SIZE	DIM A	DIM B	DIM C	DIM D	DIM E	DIM F	DIM G	DIM H	DIM I	DIM J	DIM K
1" IPS x 3/4" IPS	1.275 ±.008	1.267 ^{+0.008} _{-0.012}	.720 ±.008	1.070 ±.010	1.770 ±.020	1.020 ±.008	1.012 ^{+0.008} _{-0.012}	.660 ±.005	.86	1.430 ±.015	1.65
1 1/4" IPS x 3/4" IPS	1.620 ±.008	1.612 ^{+0.008} _{-0.016}	.900 ±.008	1.420 ±.015	2.295 ±.020	1.020 ±.008	1.012 ^{+0.008} _{-0.012}	.660 ±.005	.88	1.430 ±.015	2.17
1 1/4" IPS x 1" IPS	1.620 ±.008	1.612 ^{+0.008} _{-0.016}	.900 ±.008	1.375 ±.015	2.295 ±.020	1.275 ±.008	1.267 ^{+0.008} _{-0.012}	.720 ±.005	1.11	1.745 ±.015	1.93
1 1/2" IPS x 3/4" IPS	1.860 ±.010	1.849 ^{+0.010} _{-0.020}	.930 ±.010	1.670 ±.015	2.540 ±.020	1.020 ±.008	1.012 ^{+0.008} _{-0.012}	.660 ±.005	.90	1.430 ±.015	2.30
1 1/2" IPS x 1" IPS	1.860 ±.010	1.849 ^{+0.010} _{-0.020}	.930 ±.010	1.670 ±.015	2.540 ±.020	1.275 ±.008	1.267 ^{+0.008} _{-0.012}	.720 ±.005	1.11	1.745 ±.015	2.16
1 1/2" IPS x 1 1/4" IPS	1.860 ±.010	1.849 ^{+0.010} _{-0.020}	.930 ±.010	1.670 ±.015	2.540 ±.020	1.620 ±.008	1.612 ^{+0.008} _{-0.016}	.900 ±.005	1.46	2.280 ±.015	2.06
2" IPS x 3/4" IPS	2.335 ±.010	2.334 ^{+0.010} _{-0.020}	.975 ±.010	2.175 ±.015	3.620 ±.020	1.020 ±.008	1.012 ^{+0.008} _{-0.012}	.660 ±.005	.90	1.440 ±.015	2.71
2" IPS x 1" IPS	2.335 ±.010	2.334 ^{+0.010} _{-0.020}	.975 ±.010	2.055 ±.015	3.620 ±.020	1.275 ±.008	1.267 ^{+0.008} _{-0.012}	.720 ±.005	1.11	1.750 ±.015	2.25
2" IPS x 1 1/4" IPS	2.335 ±.010	2.334 ^{+0.010} _{-0.020}	.975 ±.010	2.210 ±.015	3.620 ±.020	1.620 ±.008	1.612 ^{+0.008} _{-0.016}	.900 ±.005	1.45	2.295 ±.015	2.32
2" IPS x 1 1/2" IPS	2.335 ±.010	2.334 ^{+0.010} _{-0.020}	.975 ±.010	2.170 ±.015	3.620 ±.020	1.860 ±.010	1.849 ^{+0.010} _{-0.020}	.920 ±.005	1.69	2.515 ±.015	2.54
3" IPS x 2" IPS	3.455 ±.015	3.439 ^{+0.015} _{-0.025}	1.190 ±.015	3.140 ±.020	4.850 ±.030	2.335 ±.010	2.324 ^{+0.010} _{-0.020}	1.005 ±.010	2.07	3.250 ±.020	3.32

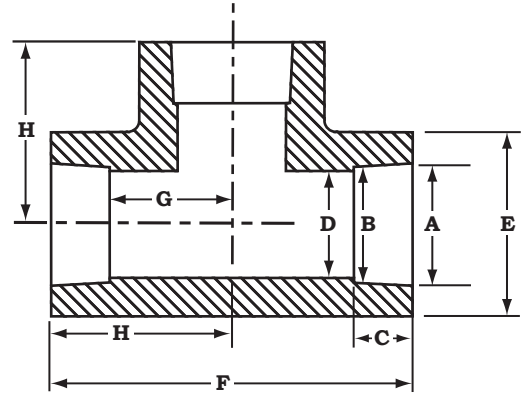
SOCKET FUSION FITTINGS



FOR REFERENCE ONLY

Swan Plastics, LLC Phone: (405) 275-4826
 6500 North Kickapoo Fax: (405) 275-3626
 Shawnee, OK 74804, USA

SOCKET TEE (IPS)



NOMINAL SIZE	DIM A	DIM B	DIM C	DIM D	DIM E	DIM F	DIM G	DIM H
3/4" IPS	1.020 ±.008	1.012 ^{+0.008} / _{-0.012}	.660 ±.005	.900 ±.015	1.450 ±.020	2.89	.78	1.44
1" IPS	1.275 ±.008	1.267 ^{+0.008} / _{-0.012}	.715 ±.005	1.110 ±.015	1.770 ±.020	3.23	.90	1.61
1 1/4" IPS	1.620 ±.008	1.612 ^{+0.008} / _{-0.016}	.900 ±.005	1.475 ±.015	2.315 ±.030	3.84	1.02	1.92
1 1/2" IPS	1.860 ±.010	1.849 ^{+0.010} / _{-0.020}	.900 ±.005	1.675 ±.015	2.565 ±.030	4.31	1.25	2.15
2" IPS	2.335 ±.010	2.324 ^{+0.010} / _{-0.020}	.975 ±.010	2.180 ±.015	3.285 ±.030	5.00	1.52	2.50