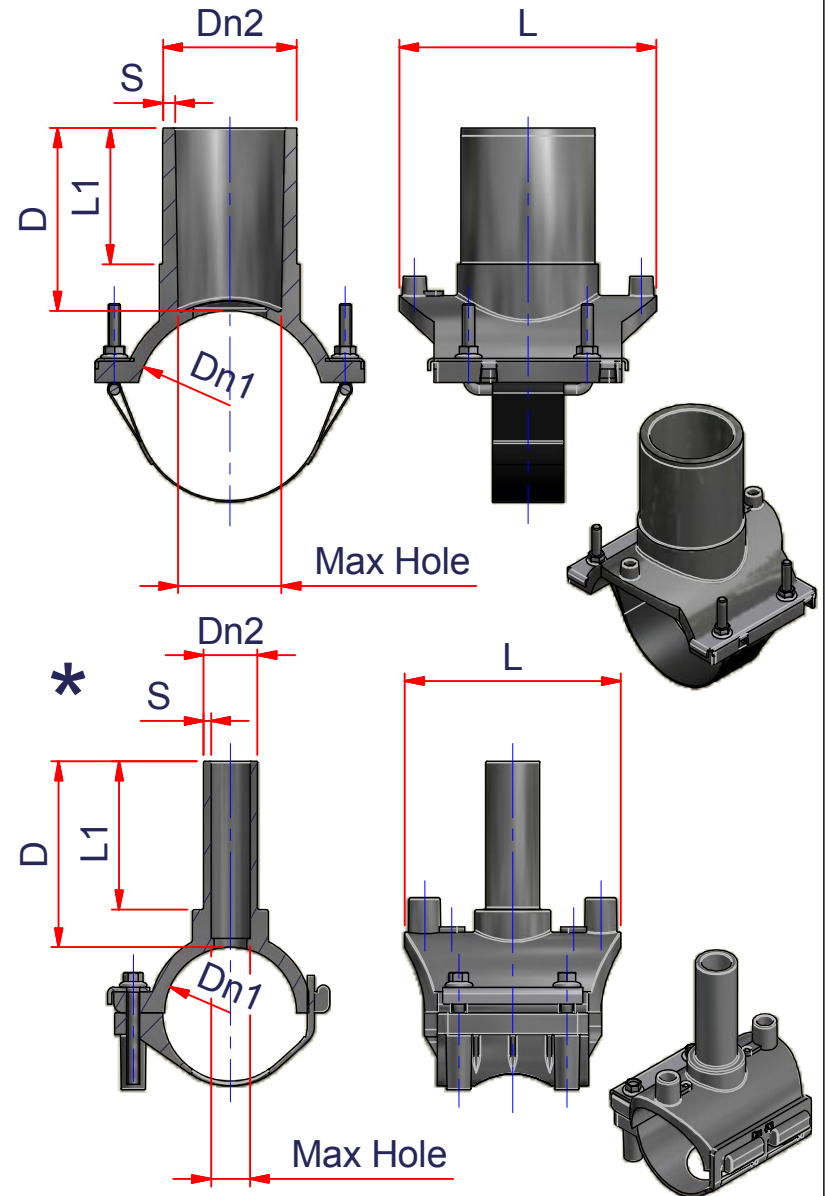


| CODE            | Dn1   | Dn2      | S    | L1   | L    | D    | Max Hole |
|-----------------|-------|----------|------|------|------|------|----------|
| 12EICOL11412C * | 1 1/4 | 1/2" CTS | 0.10 | 2.56 | 3.94 | 3.27 | 0.36     |
| 12EICOL0212C *  | 2     | 1/2" CTS | 0.10 | 2.56 | 3.94 | 3.27 | 0.36     |
| 12EICOL0312C    | 3     | 1/2" CTS | 0.10 | 3.35 | 5.59 | 4.03 | 0.36     |
| 12EICOL0412C    | 4     | 1/2" CTS | 0.10 | 3.35 | 5.59 | 4.03 | 0.36     |
| 12EICOL0612C    | 6     | 1/2" CTS | 0.10 | 3.35 | 5.59 | 4.03 | 0.36     |
| 12EICOL0812C    | 8     | 1/2" CTS | 0.10 | 3.35 | 5.59 | 4.03 | 0.36     |
| 12EICOL1012C    | 10    | 1/2" CTS | 0.10 | 3.35 | 5.59 | 4.03 | 0.36     |
| 12EICOL1212C    | 12    | 1/2" CTS | 0.10 | 3.35 | 5.59 | 4.03 | 0.36     |
|                 |       |          |      |      |      |      |          |
| 12EICOL11434 *  | 1 1/4 | 3/4" IPS | 0.09 | 2.56 | 3.94 | 3.27 | 0.77     |
| 12EICOL0234 *   | 2     | 3/4" IPS | 0.09 | 2.56 | 3.94 | 3.27 | 0.77     |
| 12EICOL0334     | 3     | 3/4" IPS | 0.09 | 3.35 | 5.59 | 4.03 | 0.77     |
| 12EICOL0434     | 4     | 3/4" IPS | 0.09 | 3.35 | 5.59 | 4.03 | 0.77     |
| 12EICOL0634     | 6     | 3/4" IPS | 0.09 | 3.35 | 5.59 | 4.03 | 0.77     |
| 12EICOL0834     | 8     | 3/4" IPS | 0.09 | 3.35 | 5.59 | 4.03 | 0.77     |
| 12EICOL1034     | 10    | 3/4" IPS | 0.09 | 3.35 | 5.59 | 4.03 | 0.77     |
| 12EICOL1234     | 12    | 3/4" IPS | 0.09 | 3.35 | 5.59 | 4.03 | 0.77     |
|                 |       |          |      |      |      |      |          |
| 12EICOL11401C * | 1 1/4 | 1" CTS   | 0.10 | 2.56 | 3.94 | 3.27 | 0.86     |
| 12EICOL0201C *  | 2     | 1" CTS   | 0.10 | 2.56 | 3.94 | 3.27 | 0.86     |
| 12EICOL0301C    | 3     | 1" CTS   | 0.10 | 3.35 | 5.59 | 4.03 | 0.86     |
| 12EICOL0401C    | 4     | 1" CTS   | 0.10 | 3.35 | 5.59 | 4.03 | 0.86     |
| 12EICOL0601C    | 6     | 1" CTS   | 0.10 | 3.35 | 5.59 | 4.03 | 0.86     |
| 12EICOL0801C    | 8     | 1" CTS   | 0.10 | 3.35 | 5.59 | 4.03 | 0.86     |
| 12EICOL1001C    | 10    | 1" CTS   | 0.10 | 3.35 | 5.59 | 4.03 | 0.86     |
| 12EICOL1201C    | 12    | 1" CTS   | 0.10 | 3.35 | 5.59 | 4.03 | 0.86     |



\* WITH RIGID UNDER CLAMP



ITEM: **EICOL**

DESC: BRANCH SADDLE - PE4710 230PSI

C:\Vault\_Temp\Disegni\Corinna\Tabelle\Elofit\POLLICI  
USA\Eico\EL10023.dwg

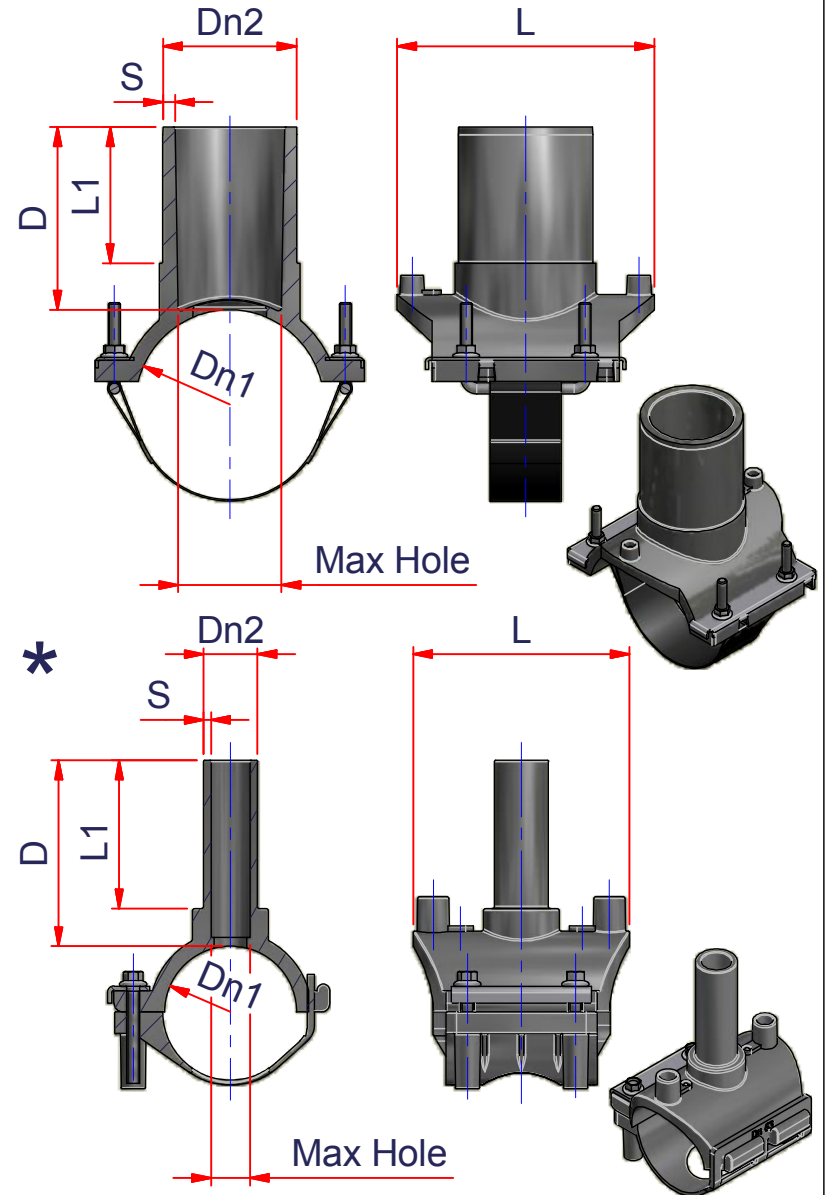
|                               |                   |
|-------------------------------|-------------------|
| DRAWING No:<br><b>EL10023</b> |                   |
| SHEET OF<br><b>1 3</b>        | REV.<br><b>-1</b> |

www.nupigeco.com - info@nupigeco.com

All dimensions have to be considered in inches with 5% tolerance if not otherwise mentioned

| CODE           | Dn1   | Dn2        | S    | L1   | L    | D    | Max Hole |
|----------------|-------|------------|------|------|------|------|----------|
| 12EICOL11401 * | 1 1/4 | 1" IPS     | 0.12 | 2.56 | 3.94 | 3.27 | 1.02     |
| 12EICOL0201 *  | 2     | 1" IPS     | 0.12 | 2.56 | 3.94 | 3.27 | 1.02     |
| 12EICOL301     | 3     | 1" IPS     | 0.12 | 3.35 | 5.59 | 4.03 | 1.02     |
| 12EICOL0401    | 4     | 1" IPS     | 0.12 | 3.35 | 5.59 | 4.03 | 1.02     |
| 12EICOL0601    | 6     | 1" IPS     | 0.12 | 3.35 | 5.59 | 4.03 | 1.02     |
| 12EICOL0801    | 8     | 1" IPS     | 0.12 | 3.35 | 5.59 | 4.03 | 1.02     |
| 12EICOL1001    | 10    | 1" IPS     | 0.12 | 3.35 | 5.59 | 4.03 | 1.02     |
| 12EICOL1201    | 12    | 1" IPS     | 0.12 | 3.35 | 5.59 | 4.03 | 1.02     |
| 12EICOL03114   | 3     | 1 1/4 IPS  | 0.15 | 3.35 | 5.59 | 4.03 | 1.29     |
| 12EICOL04114   | 4     | 1 1/4 IPS  | 0.15 | 3.35 | 5.59 | 4.03 | 1.29     |
| 12EICOL06114   | 6     | 1 1/4" IPS | 0.15 | 3.35 | 5.59 | 4.03 | 1.29     |
| 12EICOL08114   | 8     | 1 1/4" IPS | 0.15 | 3.35 | 5.59 | 4.03 | 1.29     |
| 12EICOL10114   | 10    | 1 1/4" IPS | 0.15 | 3.35 | 5.59 | 4.03 | 1.29     |
| 12EICOL12114   | 12    | 1 1/4" IPS | 0.15 | 3.35 | 5.59 | 4.03 | 1.29     |
| 12EICOL0202 *  | 2     | 2" IPS     | 0.23 | 3.54 | 5.20 | 4.72 | 1.55     |
| 12EICOL0302    | 3     | 2" IPS     | 0.22 | 3.35 | 5.59 | 4.03 | 1.73     |
| 12EICOL0402    | 4     | 2" IPS     | 0.22 | 3.35 | 5.59 | 4.03 | 1.73     |
| 12EICOL0602    | 6     | 2" IPS     | 0.22 | 3.35 | 5.59 | 4.03 | 1.73     |
| 12EICOL0802    | 8     | 2" IPS     | 0.22 | 3.35 | 5.59 | 4.03 | 1.73     |
| 12EICOL1002    | 10    | 2" IPS     | 0.22 | 3.35 | 5.59 | 4.03 | 1.73     |
| 12EICOL1202    | 12    | 2" IPS     | 0.22 | 3.35 | 5.59 | 4.03 | 1.73     |

\* WITH RIGID UNDER CLAMP



ITEM: EICOL

DESC: BRANCH SADDLE - PE4710 230PSI

C:\Vault\_Temp\Disegni\Corinna\Tabelle\Elofit\POLLICI\USA\Eico\EL10023.dwg

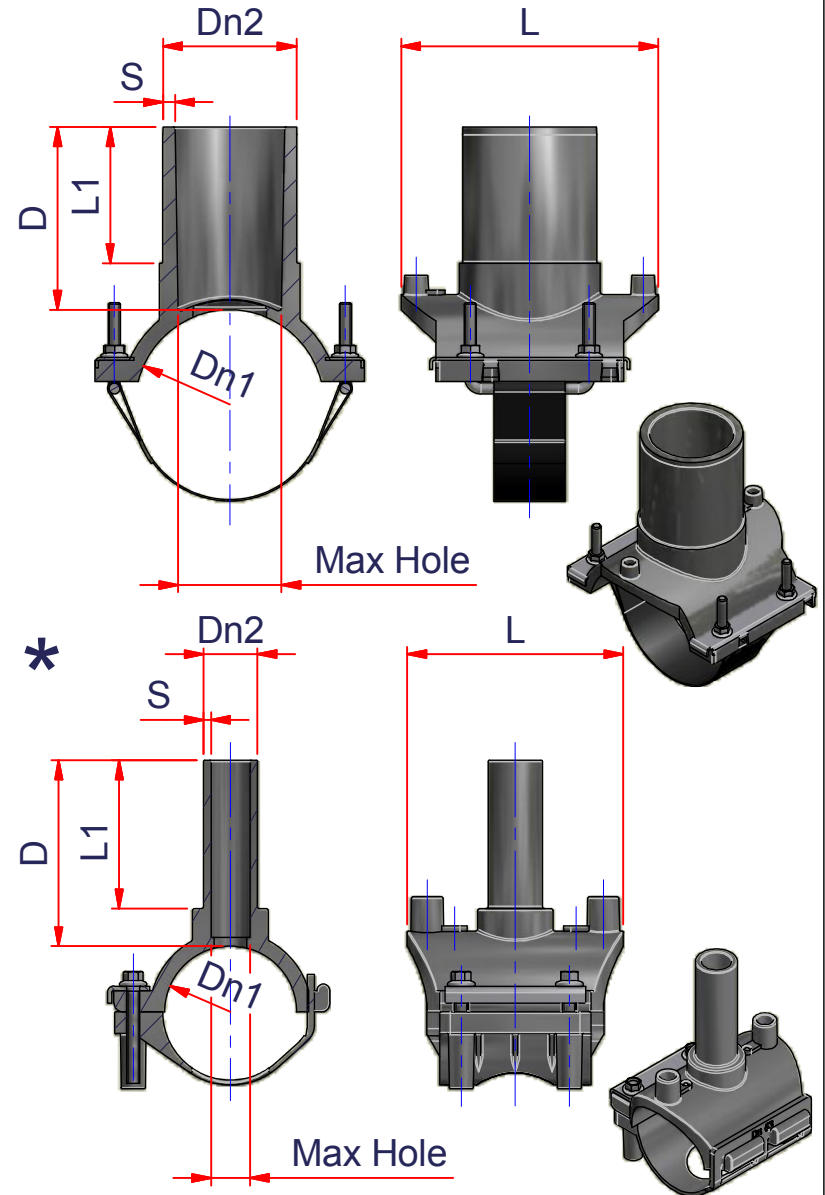
|             |      |         |
|-------------|------|---------|
| DRAWING No: |      | EL10023 |
| SHEET OF    | REV. |         |
| 2 3         | -1   |         |

www.nupigeco.com - info@nupigeco.com

All dimensions have to be considered in inches with 5% tolerance if not otherwise mentioned

| CODE        | Dn1 | Dn2    | S    | L1   | L    | D    | Max Hole |
|-------------|-----|--------|------|------|------|------|----------|
| 12EICOL0303 | 3   | 3" IPS | 0.32 | 3.96 | 6.69 | 5.16 | 2.70     |
| 12EICOL0403 | 4   | 3" IPS | 0.32 | 3.54 | 6.69 | 4.64 | 2.70     |
| 12EICOL0603 | 6   | 3" IPS | 0.32 | 3.54 | 6.69 | 4.64 | 2.70     |
| 12EICOL0803 | 8   | 3" IPS | 0.32 | 3.94 | 7.87 | 4.92 | 2.70     |
| 12EICOL1003 | 10  | 3" IPS | 0.32 | 3.94 | 7.87 | 4.92 | 2.70     |
| 12EICOL1203 | 12  | 3" IPS | 0.32 | 3.94 | 7.87 | 4.92 | 2.70     |
| 12EICOL0404 | 4   | 4" IPS | 0.39 | 3.74 | 6.85 | 5.63 | 2.76     |
| 12EICOL0604 | 6   | 4" IPS | 0.39 | 3.94 | 7.87 | 5.12 | 3.46     |
| 12EICOL0804 | 8   | 4" IPS | 0.39 | 3.84 | 7.87 | 5.05 | 3.46     |
| 12EICOL1004 | 10  | 4" IPS | 0.39 | 3.84 | 7.87 | 5.05 | 3.46     |
| 12EICOL1204 | 12  | 4" IPS | 0.39 | 3.84 | 7.87 | 5.05 | 3.46     |

\* WITH RIGID UNDER CLAMP



ITEM: EICOL

DESC: BRANCH SADDLE - PE4710 230PSI



DRAWING No:  
EL10023

|          |      |
|----------|------|
| SHEET OF | REV. |
| 3 3      | -1   |

www.nupigeco.com - info@nupigeco.com

All dimensions have to be considered in inches with 5% tolerance if not otherwise mentioned