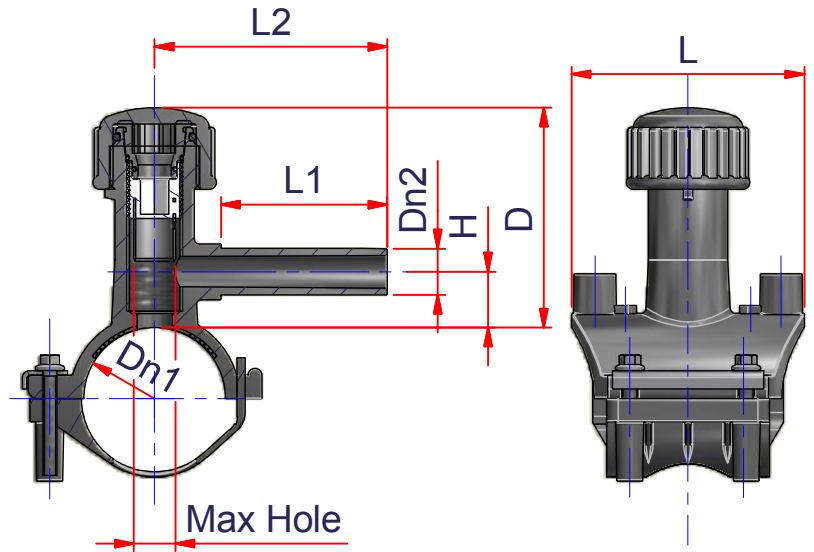


CODE	Dn1	Dn2	H	L1	L2	L	D	Max Hole
12EIPRES11412C	1 1/4	1/2" CTS	0.90	2.75	3.94	3.94	3.36	0.71
12EIPRES0212C	2	1/2" CTS	0.94	2.56	3.94	3.94	3.40	0.71
12EIPRES0312C	3	1/2" CTS	0.79	2.13	3.94	3.94	3.56	0.71
12EIPRES0412C	4"	1/2" CTS	0.79	2.87	3.94	3.94	3.56	0.71
12EIPRES0612C	6	1/2" CTS	0.90	2.87	3.94	3.94	3.96	0.71
12EIPRES11434	1 1/4	3/4" IPS	0.90	2.75	3.94	3.94	3.36	0.71
12EIPRES0234	2	3/4" IPS	0.94	2.75	3.94	3.94	3.40	0.71
12EIPRES0334	3	3/4" IPS	0.79	2.56	3.94	3.94	3.56	0.71
12EIPRES0434	4	3/4" IPS	0.79	2.85	3.94	3.94	3.56	0.71
12EIPRES0634	6	3/4" IPS	0.90	2,85	3.94	3.94	3.96	0.71
12EIPRES11401C	1 1/4	1" CTS	0.90	2,75	3.94	3.94	3.36	0.71
12EIPRES0201C	2	1" CTS	0.94	2.85	3.94	3.94	3.40	0.71
12EIPRES0301C	3	1" CTS	0.79	2.56	3.94	3.94	3.56	0.71
12EIPRES0401C	4	1" CTS	0.79	2.95	3.94	3.94	3.56	0.71
12EIPRES0601C	6	1" CTS	0.90	2.75	3.94	3.94	3.96	0.71
12EIPRES11401	1 1/4	1" IPS	0.90	2.75	3.94	3.94	3.36	0.71
12EIPRES0201	2	1" IPS	0.94	2.75	3.94	3.94	3.40	0.71
12EIPRES0301	3	1" IPS	0.79	2.75	3.94	3.94	3.56	0.71
12EIPRES0401	4	1" IPS	0.79	2.75	3.94	3.94	3.56	0.71
12EIPRES0601	6	1" IPS	0.90	2.75	3.94	3.94	3.96	0.71
12EIPRES02114	2	1 1/4" IPS	0.94	2.75	3.94	3.94	3.40	0.71
12EIPRES0202	2	2" IPS	1.18	2.46	3.94	5.19	5.21	1.22



EloFIT
nupigeco

www.nupigeco.com - info@nupigeco.com

ITEM: **EIPRES**

C:\Vault_Temp\Disegni\Corinna\Tabelle\Elofit\POLLICI\USA\Eipres\EL10019.dwg

DESC: TAPPING TEE WITH RIGID UNDER CLAMP
PE4710 230PSI

All dimensions have to be considered in inches with 5% tolerance if not otherwise mentioned

DRAWING No: EL10019
SHEET OF 1 1 REV. -1