

CODE	Dn1	L1	Dn2	L2	D	L	H	H1
12EIRDE034034C	3/4" IPS	1.57	3/4" CTS	1.45	1.73	3.34	2.51	2.75
12EIRDE034012C	3/4" IPS	1.57	1/2" CTS	1.45	1.69	3.34	2.51	2.54
12EIRDE034012	3/4" IPS	1.57	1/2" IPS	1.45	1.73	3.34	2.51	2.75
12EIRDE01C012C	1" CTS	1.57	1/2" CTS	1.45	1.69	3.34	2.51	2.75
12EIRDE01C034	1" CTS	1.57	3/4" IPS	1.57	1.73	3.34	2.51	2.75
12EIRDE01034	1" IPS	1.57	3/4" IPS	1.57	1.73	3.34	2.51	2.75



ITEM: **EIRDE**

DESC: ELECTROFUSION REDUCER  
PE4710 230PSI

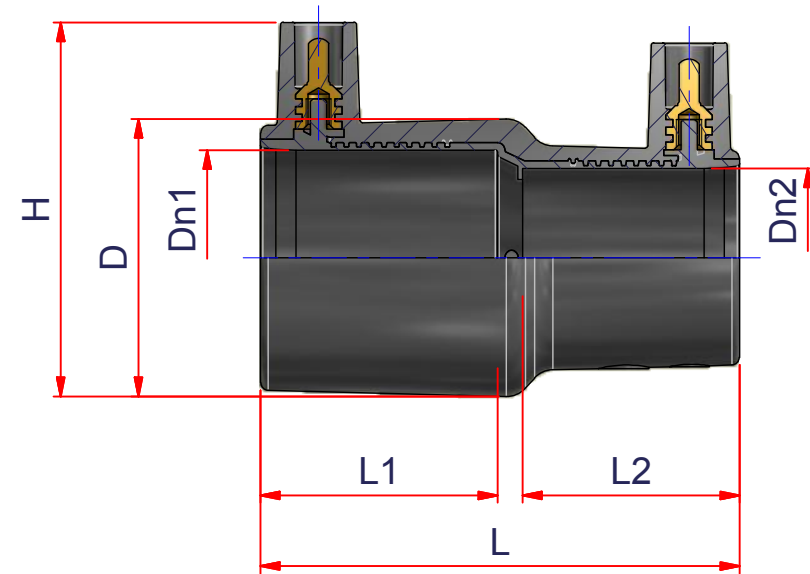


DRAWING No:  
**EL10016**

SHEET OF REV.  
**1 2 -1**

www.nupigeco.com - info@nupigeco.com

All dimensions have to be considered in inches with 5% tolerance if not otherwise mentioned



CODE	Dn1	L1	Dn2	L2	D	L	H
12EIRDE114114C	1" 1/4 IPS	1.85	1" 1/4 CTS	1.69	2.06	3.74	2.92
12EIRDE02112	2" IPS	2.24	1"1/2 IPS	2.00	3.18	4.72	3.93
12EIRDE02114	2" IPS	2.24	1" 1/4 IPS	1.77	3.18	4.72	3.93
12EIRDE0302	3" IPS	2.89	2" IPS	2.55	4.56	6.00	5.07
12EIRDE0402	4" IPS	2.85	2" IPS	2.48	5.19	6.22	5.86
12EIRDE0403	4" IPS	2.89	3" IPS	2.67	5.19	6.22	5.86
12EIRDE0604	6" IPS	-	4" IPS	-	-	-	-



ITEM: **EIRDE**

DESC: ELECTROFUSION REDUCER  
PE4710 230PSI



DRAWING No:  
**EL10016**

SHEET OF REV.  
**2 2 -1**

www.nupigeco.com - info@nupigeco.com

All dimensions have to be considered in inches with 5% tolerance if not otherwise mentioned