

CODE	ND (IPS)	ID	L1	L	D	H
12EIME034	3/4	1.050	1.41	2.91	1.59	2.40
12EIME01	1	1.315	1.41	2.91	1.79	2.40
12EIME114	1 1/4	1.660	1.57	3.26	2.16	2.91
12EIME112	1 1/2	1.900	1.69	3.47	2.64	3.40

EloFIT



ITEM: **EIME**

DESC: ELECTROFUSION COUPLER
PE4710 230PSI SDR11

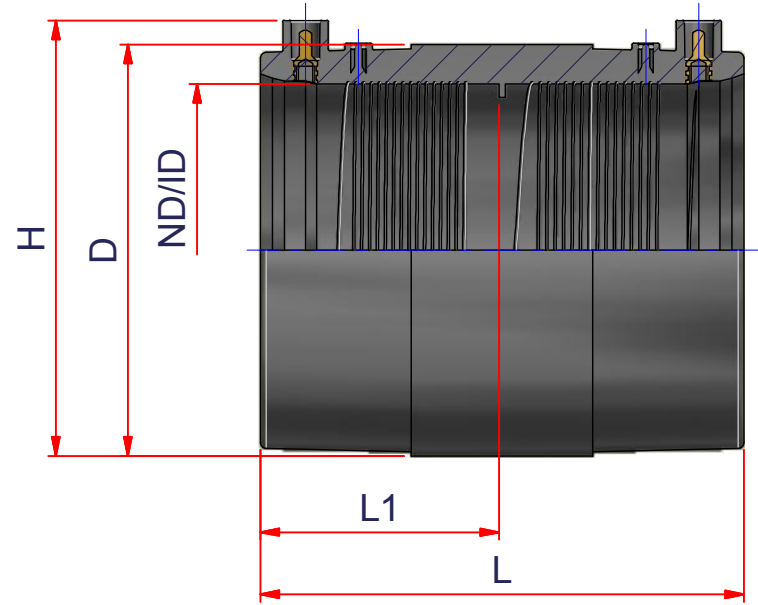


DRAWING No:
EL10013

SHEET OF REV.
1 2 -1

www.nupiamericas.com - info@nupiamericas.com

All dimensions have to be considered in inches with 5% tolerance if not otherwise mentioned



CODE	ND (IPS)	ID	L1	L	D	H
12EIME02	2	2.375	2.52	5.12	3.11	3.88
12EIME03	3	3.500	2.91	5.90	4.45	5.04
12EIME04	4	4.500	3.11	6.30	5.59	6.14
12EIME06	6	6.625	3.51	7.09	7.99	8.41
12EIME08	8	8.625	4.29	8.66	10.94	11.01

EloFIT



ITEM: **EIME**

DESC: ELECTROFUSION COUPLER
PE4710 230PSI SDR11



DRAWING No:
EL10013

SHEET OF REV.
2 2 -1

www.nupiamericas.com - info@nupiamericas.com

All dimensions have to be considered in inches with 5% tolerance if not otherwise mentioned