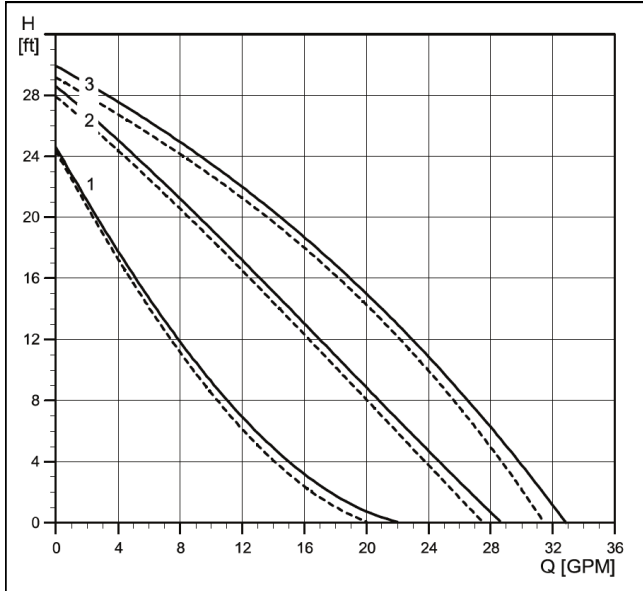


# Technical Data

B&D PART# G1-2699/3

GRUNDFOS 2699 PUMP 3 SPEED (115V)

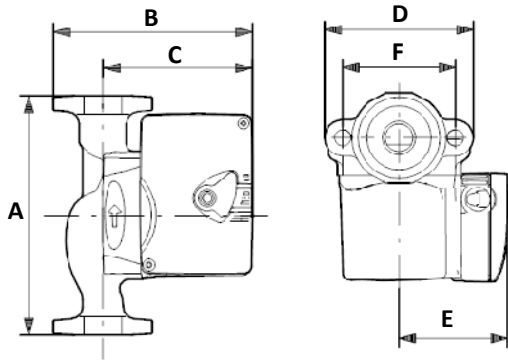
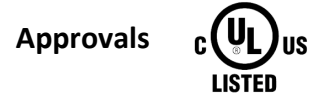


—— Without check valve    - - - - With check valve

NOTE: Refer to the Without check valve on the pump curve chart above for your desired flow capabilities on this pump.

Flow Range: 0-33 gpm  
 Head Range: 0-29 feet  
 Motors: 2-pole, single-phase  
 Max. Liquid temperature 230 °F (110 °C)  
 Min. Liquid temperature 36 °F (2 °C)  
 Max. system pressure 145 psi (10 bar)

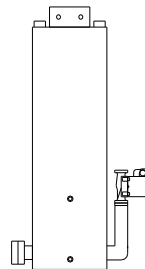
Speed	Volts	Amps	Watts	Hp	Capacitor
3	115	1.8	197	1/6	20uF/180 V
2		1.5	179	1/6	20uF/180 V
1		1.3	150	1/6	20uF/180 V



### Dimensions (inches)

A	B	C	D	E	F	Connection type and size	Shipping weight (lbs)
6-1/2	6	4-7/8	3-1/2	3-7/16	3-5/32	GF 15/26 flange (2) 1/2" dia. bolt holes	10.30

This Pump is Available on the Non Pressurized HSS® Buffer Tank Pictured Below



HSS BUFFER TANK SERIES

