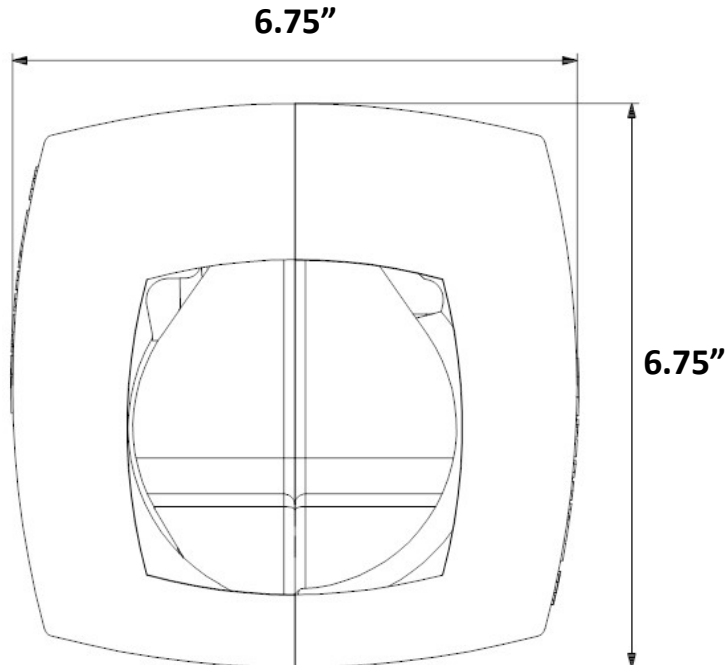
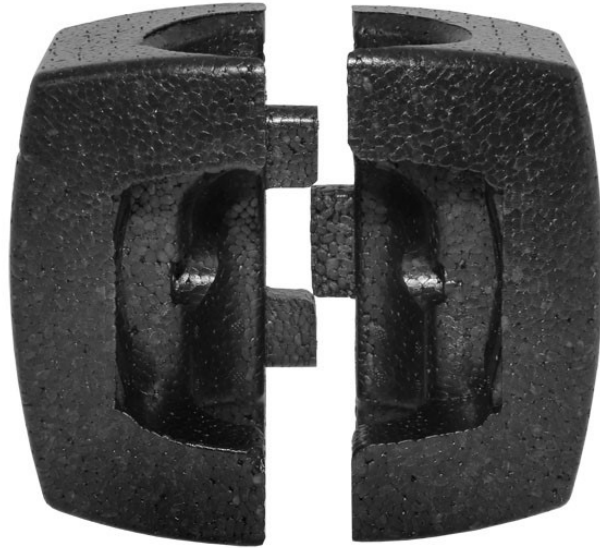


# Technical Data

B&D PART# G26-INS  
2699-3 FOAM INSULATOR



NOTE: Only Fits 26-99 & 26-116 Series Pump



Insulator is 4" Deep Front to Back at Thickest Point

NOTE: Measurements are Listed in Inches