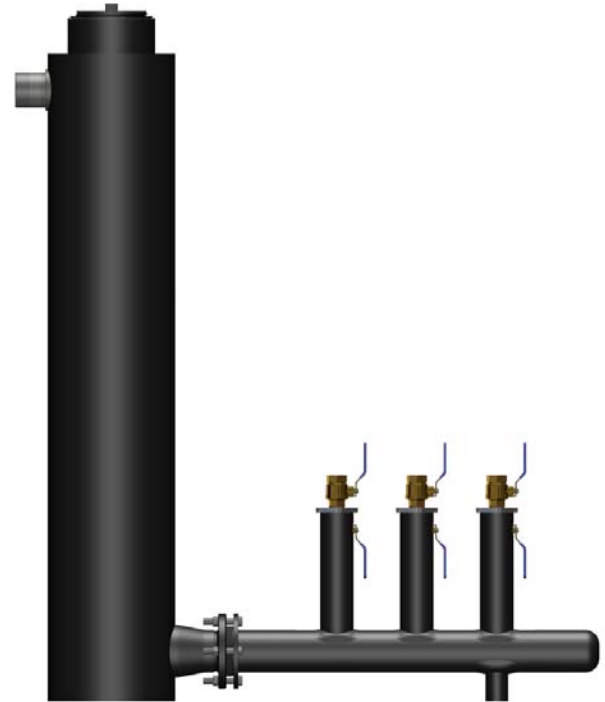


MULTIZONE PRODUCT INFORMATION

CFCC3000-3GX3

Multizone "C" Tank
 (3" Stainless MPT Inlet Standard)
 Includes 3 Circuit Outlet Manifold
 Ball Valves & Hardware Included
 3 Circuits - No Pumps



NOTE: Multizone image above is of actual product after field assembly.

Dimensional Data

NOTE: Multizone image below is shown without pumps for dimensional reference only.

